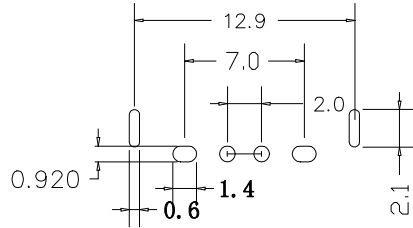
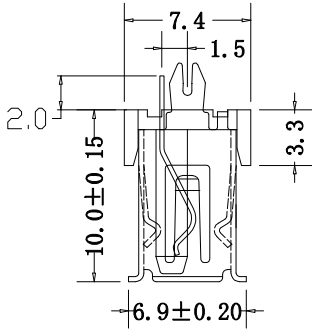
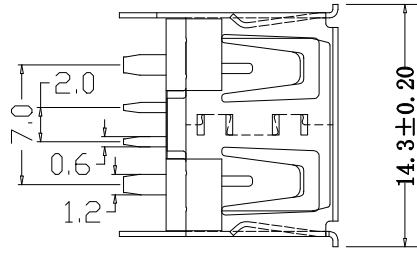
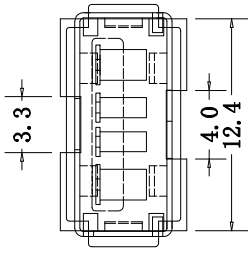


Kinghelm®



规格说明: Specifications:

电气特性: Electrical:

1. 额定电流: Current Rating
5A/contact terminal
2. 额定电压: Voltage Rating
30V DC
3. 接触阻抗: Contact Resistance
30 milliohms MAX
4. 耐电压: Dielectric Withstanding Voltage:
500 V AC AT Sea Level
5. 绝缘阻抗: Insulation Resistance:
1000MEGA ohms MIN

物理性能: Mechanical:

1. 插拔力: Connector Mate and Unmate Force
Mate force: 3.57kgf (MAX)
Unmate force: 1.02kgf (MIN)

原材料: Material:

1. 塑胶: Housing: BPT,LCP
2. 端子: Contact: Copper Alloy C2680
3. 外壳: Shell: Copper Alloy C2680/SPCC

电镀: Finish:

1. 端子: Contact: Plated Gold in Mating Area;
Tin On Solder Tails
2. 外壳: Shell:
铜壳四周镀80U" (MIN) 镍, 镀金区域镀100-200U" 镀金3U"

Nickel Plating

成品图 MANUFACTURE DIM		深圳市金航标电子有限公司		WWW.BDS666.COM	
公差一览表 TOLERANCE UNLESS OTHERWISE		KH-AF180ZJ-10JB-DA		0755-83044319	
.X±0.20	X.±5°	日期 DATE	2016.10.20	单位 UNIT	mm
.XX±0.10	.X±2°	审核 CHECKED		制图 DRAWING	LIUFU
.XXX±0.02	.XX±1°	核准 APPROVE		比例 SCALE	1:1
				设计 DESIGN	
				角法 VIEW	⊕ ⊖
				品名 NAME	10.0 卷边大电流直插
				版本 VER	A0
				页码 SHEET	001

单击下面可查看定价，库存，交付和生命周期等信息

[>>kinghelm\(金航标\)](#)