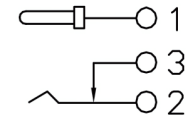
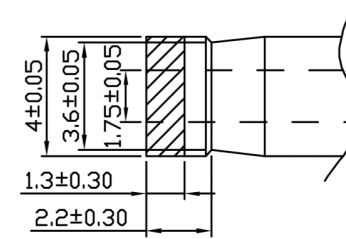
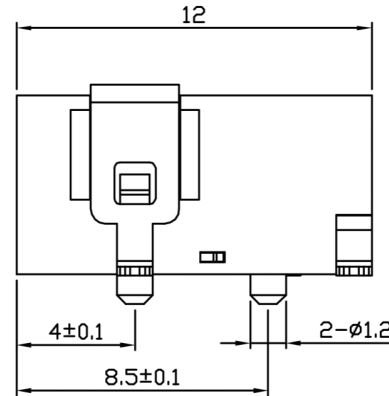
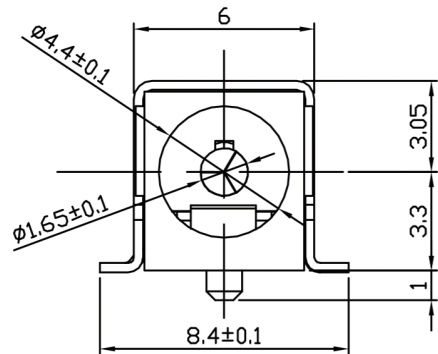
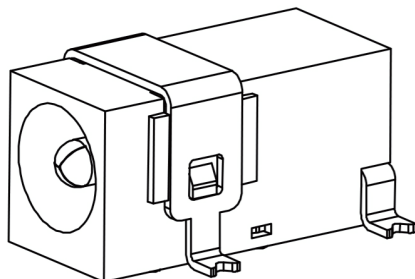


PCB LAYOUT TOP VIEW



CIRCUIT DIAGRAM



No.	PART NAME	QTY	MATERIAL (THICK, COLOR)	REMARK
⑤	HOUSING PH-DC-0507-L.6B	1	PA-9T2330 (BLACK)	
④	TERMINAL MT-DC-0507-4Q.6S	1	BRASS t=0.30	Ag-Plated
③	TERMINAL MT-DC-0507-3Q.6S	1	BRASS t=0.30	Ag-Plated
②	TERMINAL MT-DC-0507-2Q.6S	1	PHOSPHOR BRONZE t=0.30	Ag-Plated
①	TERMINAL MT-DC-0507-1Q.6S	1	BRASS t=0.30	Ag-Plated

Marker	Describe	Data	DSND	UNIT: mm	NAME:
					DC POWER JACK
					CAT. NO. DC-098
					DWN. NO. Q/XL-QW-001A-0106

单击下面可查看定价，库存，交付和生命周期等信息

[>>kinghelm\(金航标\)](#)