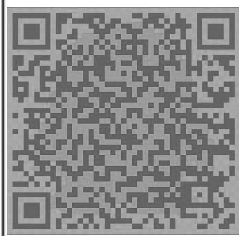
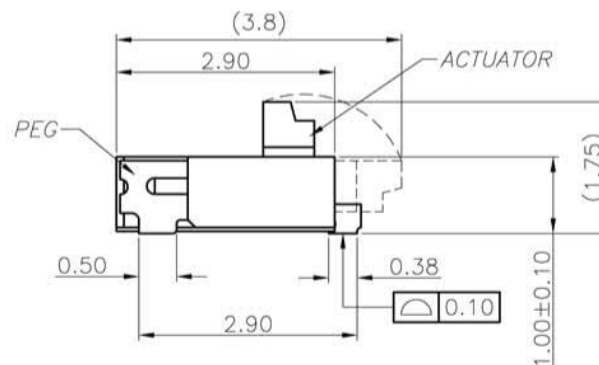
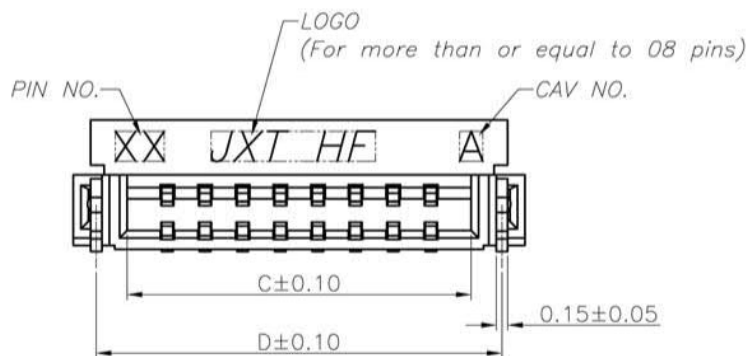


NOTE:

- MATERIAL:  
HOUSING: HIGH TEMPERATURE THERMOPLASTIC(UL94V-0), COLOR: NATURAL.  
CONTACTS: COPPER ALLOY.  
PEG: COPPER ALLOY.  
ACTUATOR: HIGH TEMPERATURE THERMOPLASTIC(UL94-V0).
- RATING:  
OPERATING VOLTAGE: 50Vrms AC.  
CURRENT RATING: 0.5A.  
OPERATING TEMPERATURE:  $-55^{\circ}\text{C} \sim +85^{\circ}\text{C}$ .  
OPERATING HUMIDITY RANGE: RELATIVE HUMIDITY 90% MAX.(NO CONDENSATION)  
STORAGE TEMPERATURE RANGE:  $-10^{\circ}\text{C} \sim +50^{\circ}\text{C}$ .  
STORAGE HUMIDITY RANGE: RELATIVE HUMIDITY 90% MAX.(NO CONDENSATION)
- PART No: FP243A-OXX X 1 X M

PIN NO. "A" WITHOUT LOGO  
CONTACTS PLATING: "O" WITH LOGO  
(For more than or equal to 08 pins)

G: Au 1~3u"  
T: Au 3u"  
A: Au 5u"  
1: Au 10u"  
3: Au 30u"



技术详询

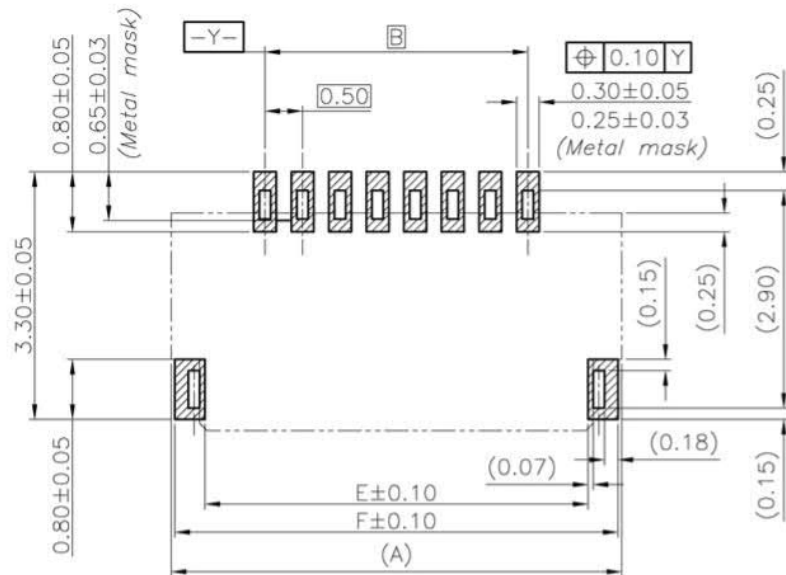
深圳市金航标电子有限公司

DIM	TOL	DEC	TOL
X.	$\pm --$	X.*	$\pm 2'$
X.X	$\pm 0.20$	X.X*	$\pm --$
X.XX	$\pm 0.15$	X.XX*	$\pm --$
X.XXX	$\pm --$	X.XXX*	$\pm --$

DRWN:	PART NO.:	FP243A-OXXX1XM			
CHKD:	TITLE:	0.5P 1.0H FPC (BACK-FLIP)-CUST			
APPD:	DRAWING NO.:				
SHEET: 1/2	UNIT mm	SCALE 10:1	SIZE A4	REV A0	

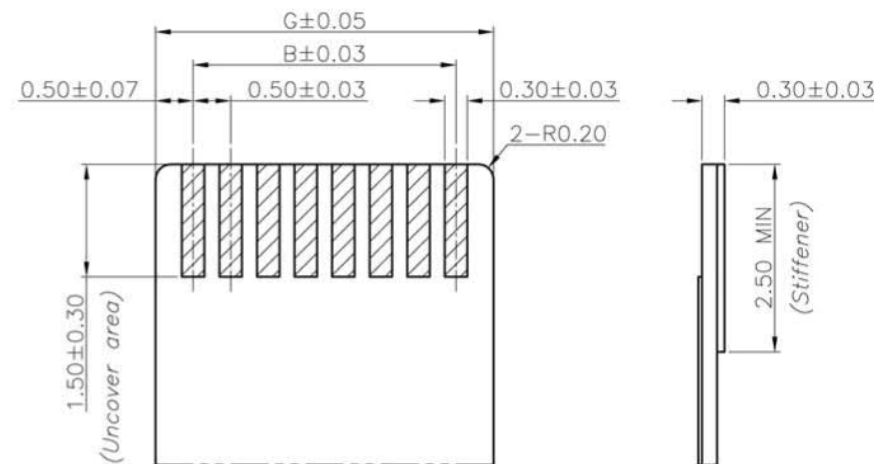
HSF COMPLIANT

Kinghelm®



Recommended PCB mounting pattern and metal mask dimensions

Recommended metal mask thickness:  $t=0.1$



Recommended FPC/FFC Dimensions

50	27.00	24.50	25.57	26.39	26.10	26.90	25.50
45	24.50	22.00	23.07	23.89	23.60	24.40	23.00
40	22.00	19.50	20.57	21.39	21.10	21.90	20.50
34	19.00	16.50	17.57	18.39	18.10	18.90	17.50
32	18.00	15.50	16.57	17.39	17.10	17.90	16.50
30	17.00	14.50	15.57	16.39	16.10	16.90	15.50
26	15.00	12.50	13.57	14.39	14.10	14.90	13.50
24	14.00	11.50	12.57	13.39	13.10	13.90	12.50
23	13.50	11.00	12.07	12.89	12.60	13.40	12.00
22	13.00	10.50	11.57	12.39	12.10	12.90	11.50
20	12.00	9.50	10.57	11.39	11.10	11.90	10.50
16	10.00	7.50	8.57	9.39	9.10	9.90	8.50
14	9.00	6.50	7.57	8.39	8.10	8.90	7.50
12	8.00	5.50	6.57	7.39	7.10	7.90	6.50
11	7.50	5.00	6.07	6.89	6.60	7.40	6.00
10	7.00	4.50	5.57	6.39	6.10	6.90	5.50
8	6.00	3.50	4.57	5.39	5.10	5.90	4.50
7	5.50	3.00	4.07	4.89	4.60	5.40	4.00
6	5.00	2.50	3.57	4.39	4.10	4.90	3.50
4	4.00	1.50	2.57	3.39	3.10	3.90	2.50
Number of Contacts	DIM A	DIM B	DIM C	DIM			

Downloaded From [Oneyac.com](http://Oneyac.com)

DIM	TOL	DEC	TOL
X.	±--	X.*	±2*
X.X	±0.20	X.X*	±--
X.XX	±0.15	X.XX*	±--
X.XXX	±--	X.XXX*	±--

深圳市金航标电子有限公司					
DRWN:		PART NO.:			
		FP243A-OXXX1XM			
CHKD:		TITLE: 0.5P 1.0H FPC (BACK-FLIP)-CUST			
APPD:		DRAWING NO.:			
SHEET: 2/2		UNIT mm		SCALE 10:1	SIZE A4
		REV A0			

单击下面可查看定价，库存，交付和生命周期等信息

[>>kinghelm\(金航标\)](#)