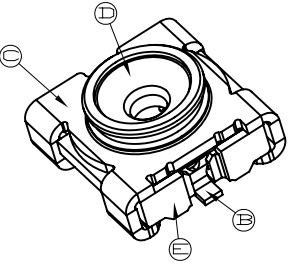
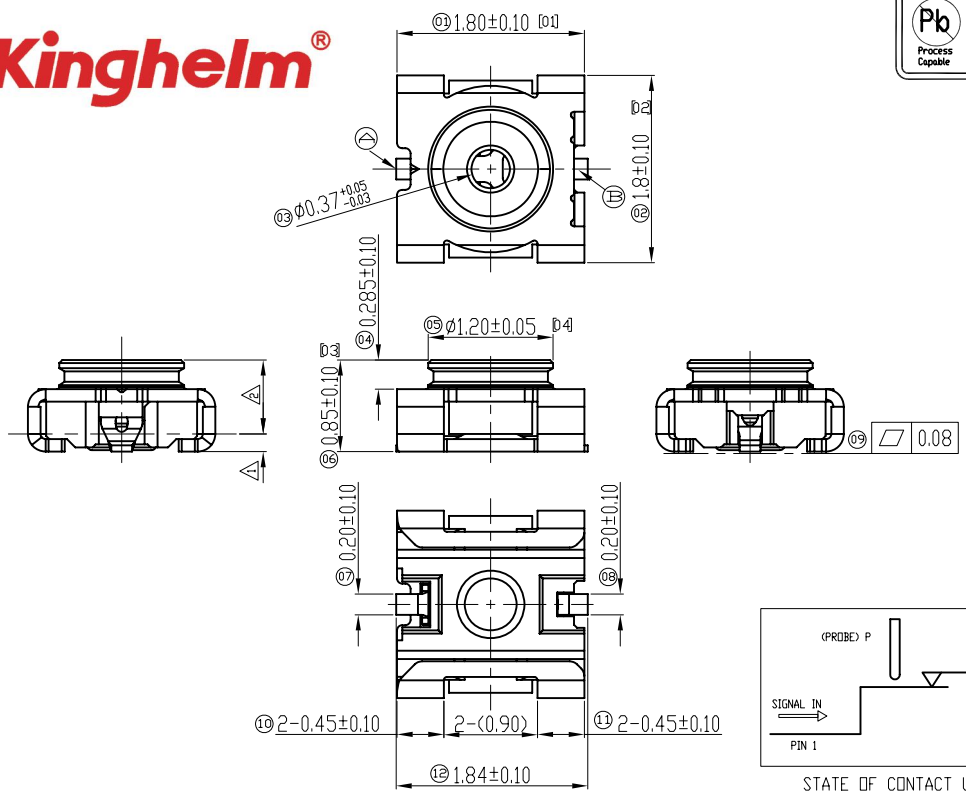
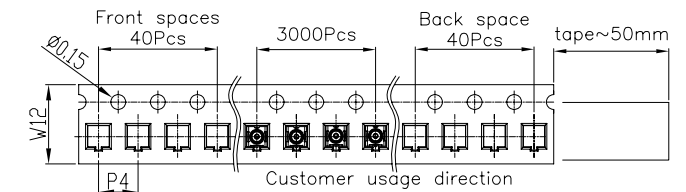
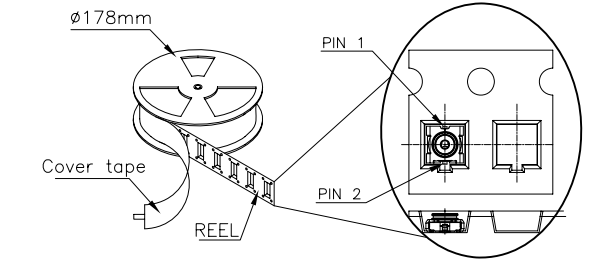


Kinghelm®

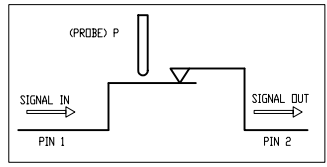


| Rev. | ECN Number | Description | Date | Drawn | Checked | Approved |
|------|------------|-------------|----------|-------|---------|----------|
| C | ECN170858 | 新增钢网规格 | 05/04'17 | LW | Ken | Tan |

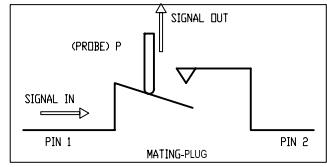
PACKING SPECIFICATION:



3D Model



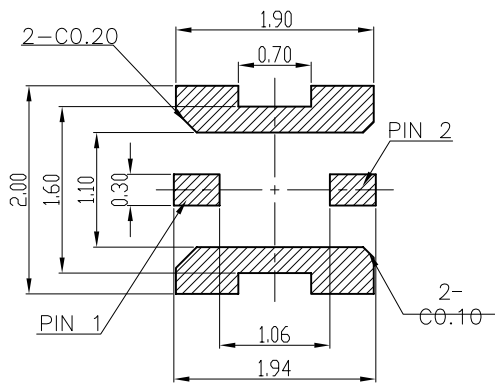
STATE OF CONTACT UNMATED



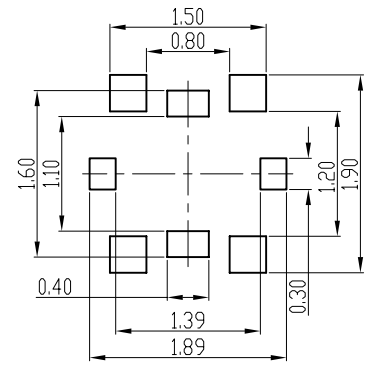
STATE OF CONTACT MATED

NOTES:

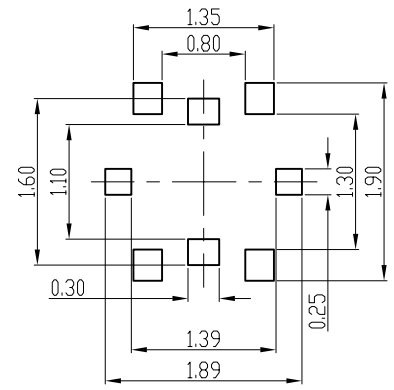
- Rated Voltage: 60V AC max.
- Frequency Range: DC~6GHz
- Impedance: 50Ω
- Power Rating: 2W
- Operating Temperature: -40°C~+85°C
- Insulation Resistance: 1000MΩ min.
- Withstanding Voltage: 100V AC & 1minute
- Initial Contact Resistance: 100 mΩ max. (Without conductor resistance)
- Voltage Standing Wave Ratio(VSWR)
 - max.(DC~3GHz)
 - max.(3~6GHz)
- Insertion loss: 0.10dBmax.(DC~3GHz), 0.20dBmax.(3~6GHz)
- Isolation: 20 dBmin.(DC~3GHz), 15 dBmin.(3~6GHz)
- Durability: 100 cycles
- Packing tape&reel 3000Pcs/Reel (Φ178mm)
- IR Reflow Cycles: 2cycles
- Allow the push force range is 1.5 to 2.5N.



RECOMMENDED PCB LAYOUT TOLERANCE ±0.05MM



RECOMMENDED METAL MASK THICKNESS 0.08MM



RECOMMENDED METAL MASK THICKNESS 0.10MM

| ITEM | DESCRIPTION | Q'TY | MATERIAL/FINISH |
|------|--------------|------|--------------------------------|
| ⑤ | DOWN HOUSING | 1 | LCP UL94V-0/BLACK |
| ④ | TOP HOUSING | 1 | LCP UL94V-0/BLACK |
| ③ | SHELL | 1 | C5191/ Ni:50u" Min |
| | | | C5191/Au:2u" Min; Ni:50u" Min |
| ② | PIN 2 | 1 | SUS304/Au:2u" Min; Ni:50u" Min |
| ① | PIN 1 | 1 | SUS301/Au:5u" Min; Ni:50u" Min |

BOM LIST

深圳市金航标
电子有限公司

| GENERAL TOLERANCE | |
|-------------------|------------|
| XX. ±0.50 | |
| X. ±0.35 | X.° ±2.0° |
| .X ±0.25 | .X° ±1.0° |
| .XX ±0.15 | .XX° ±0.5° |

SCALE: 1:1
UNIT: mm
SIZE: A4

| | | | |
|---------|-----|------|----------|
| DRAWN | LW | DATE | 05/04'17 |
| CHECK | Ken | DATE | 05/04'17 |
| APPROVE | Tan | DATE | 05/04'17 |

DWG. NO. 600-3767-01
PARTS NO.(INTENDED USE) KH-1818085-4

TITLE CUSTOMER DRAWING
MINI RF IV CONN.,
L1.80*W1.80*H0.85mm

REV. C
SHEET 1/1

单击下面可查看定价，库存，交付和生命周期等信息

[>>kinghelm\(金航标\)](#)