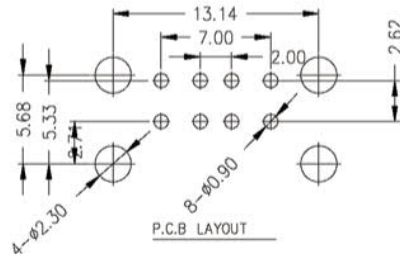
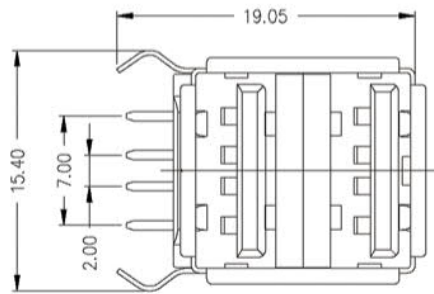
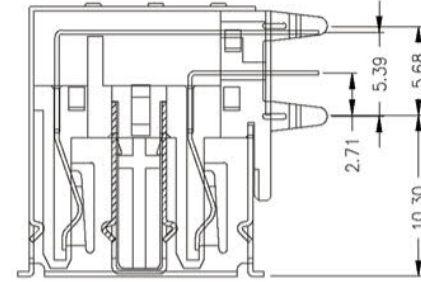
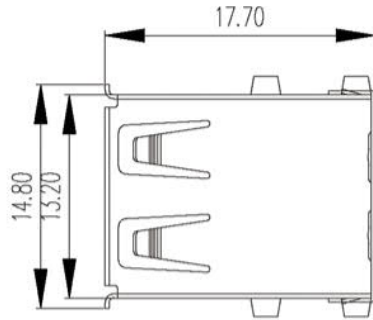
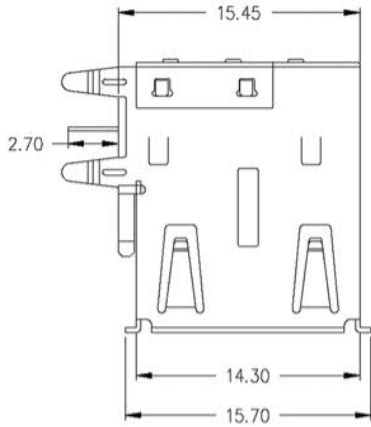


REV.	DESCRIPTION	DATE
A	RELEASE	2013.8.15



**特性: Specifications:**

**电气 Electrical:**  
接触电阻 Contact Resistance  
30 milliohms MAX

绝缘 Dielectric Withstanding Voltage:  
500 V AC AT Sea Level

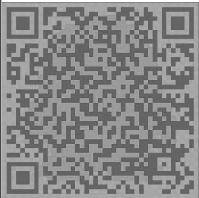
绝缘电阻 Insulation Resistance:  
1000 MEGA ohms MIN

**材料: Material**

1. 塑料: PBT UL 94V-0 黑色
2. 端子: Contact Copper Alloy C2680H
3. 壳体/外壳: Shell: Copper Alloy

**电镀: Finish**

1. 端子: Contact: Plated Gold in Mating (IU) Area  
Tin On Solder Tails  
接触点镀金 1U", 脚镀锡
2. 壳体/外壳: Shell  
Nickel plating 镀镍



技术详询

UNLESS TOLERANCE		DRAW BY	
GENERAL	ANGLE	DESIGN BY	
X. ± 0.38	X.° ± 3.0°	CHECK BY	
.X ± 0.30	.X" ± 2.0°	APPROVE BY	
.XX ± 0.25	.XX' ± 1.0°	SCALE	SHEET
.XXX ± 0.10	.XXX" ± 0.5°	1: 1	1/1
		UNIT	MM

深圳市金航标电子有限公司

ITEM :  
USB 双层A母有后盖有边弯脚

DRW NO: 1120-204019

REV: A0

单击下面可查看定价，库存，交付和生命周期等信息

[>>kinghelm\(金航标\)](#)