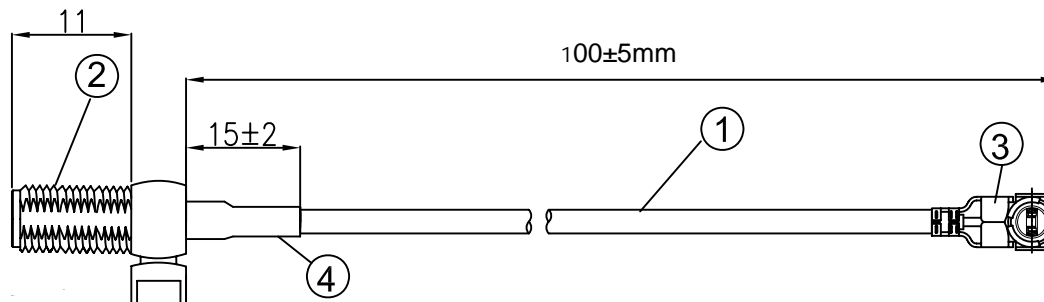


**Kinghelm**<sup>®</sup>

型号: KH-IPEX-SMAKWE-Q100H



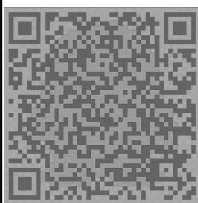
NOTES:

1. ELECTRICAL:
  - 1.1. VOLTAGE RATING:DCV 300V 10MS
  - 1.2. CONDUCTANCE RESISTANCE: 3.0 OHM/MAX.
  - 1.3. INSULATION RESISTANCE: 5.0M OHM/MIN.
  - 1.4. THE CABLE SHOULD BE 100% ELECTRICAL TEST
  - 1.5. IT SHOULD BE NO ANY OPEN/SHORT, MISWIRING AND INTERMITTENT FAILURES.
2. MATERIAL:
  - 2.1. SEE TABLE
3. ALL COMPONENTS ARE RoHS COMPLIANT.

ITEM NO.	PART NUMBER	DESCRIPTION	QTY.
④	套管	黑色热缩套管, OD:2.0MM	AS
③	端子	高仿I-PEX ,1.13端子, 镀金	1
②	接头	SMA母头母针, 带4个脚, 11牙, 镀金, 外螺内孔	1
①	同轴线	RF1.13黑线,OD:1.13mm	AS

金 航 标 电 子 有 限 公 司

ALL DIMENSION ARE IN MM	DRAWN	James	DATE	2020-04-15	I-PEX 1.13 TO SMA /F L=100mm	
	CHKD.	Frank		2020-04-15		
	APPD.	Scott		2020-04-15		
COMPUTER GENERATED IN SOLIDWORKS						
DO NOT SCALE THIS DRAWING						
PROJECTION	GENERAL TOLERANCE FOR ANGLES		X.X X.XX X.XXX		SIZE Number	
	± 1°		± 0.3	± 0.25	± 0.150	REV A
CUSTOMER P/N:		SCALE: Free		TYPE	SHEET 1 OF 1	



技术详询

单击下面可查看定价，库存，交付和生命周期等信息

[>>kinghelm\(金航标\)](#)