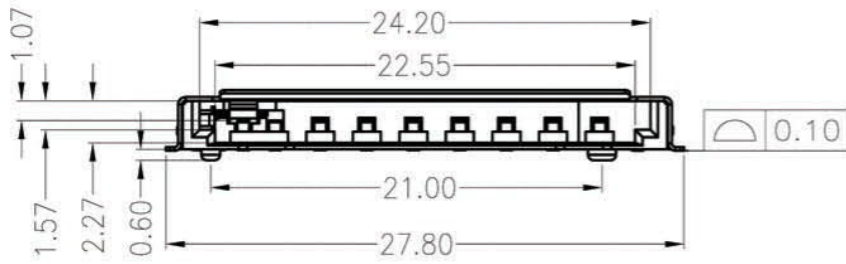
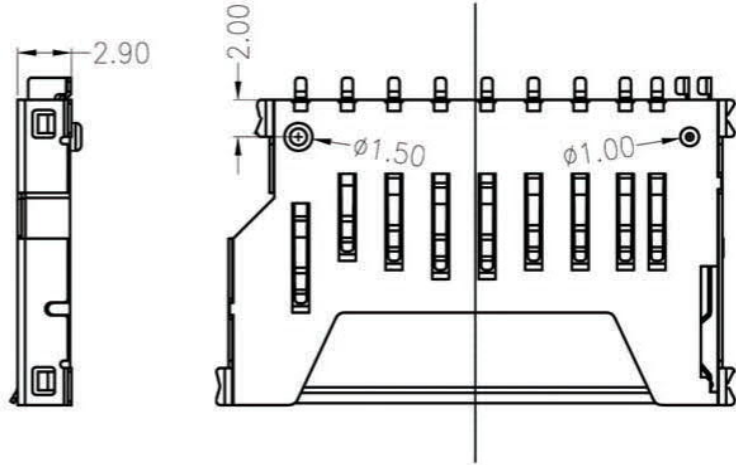
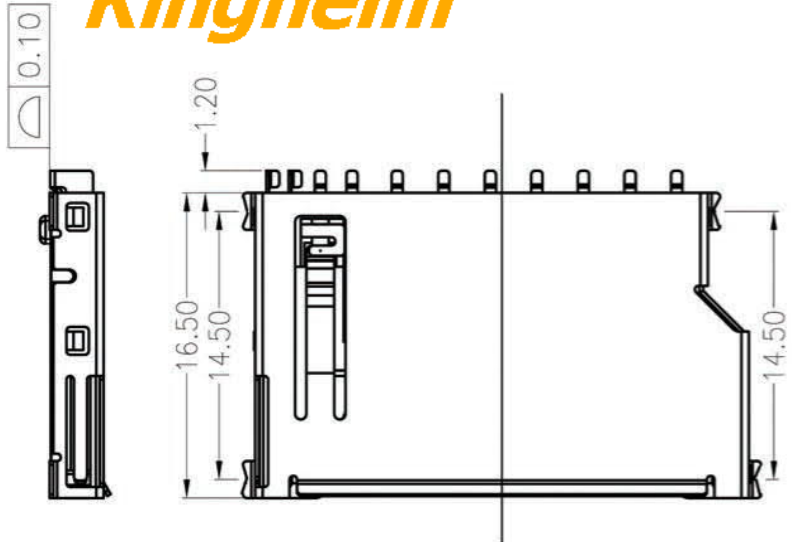
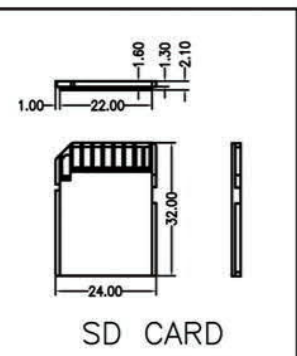


# Kinghelm®

REV.	DESCRIPTION	APPD	DATE



- NOTES:
- MATERIAL:  
HOUSING: HIGH TEMPERATURE THERMOPLASTIC  
UL94V\_0,COLOR:BLACK.  
CONTACT: COPPER ALLOYS.  
COVER: SPTF.
  - PLATING:  
UNDERPLATE: NICKEL.  
CONTACT AREA: GOLD OVER NICKEL.  
SOLDER AREA: TIN OVER NICKEL.
  - MULTIMEDIA CARD COMPATIBLE



技术详询

型号: KH-SD2816-B

PART NO: SDDF1-EBS1-1301		MATERIAL:		深圳市金航标电子有限公司	
LOT NO: 1011110000		FINSH:			
UNIT: MM	SIZE: A4	COLOR:			
TOLERANCES: X.X=±0.15 X.XX=±0.05 X.XXX=±0.03		GENERAL ANGLE: X.X=±1.0° X.XX=±0.5°		TITLE: SD短卡 - 成品	
DR: 杨凯 2011/03/31		CHK:		DWG NO: FP-100090	
APP:		SCALE: 1:1		SHEET: 1 OF 1	
				REV: A/0	

OÉ Foxit PDF Editor ±â¼-  
 ºæËÛÖÐ (c) by Foxit Software Company, 2004  
 ½ÖÖÖÛÆA¼A¼

单击下面可查看定价，库存，交付和生命周期等信息

[>>kinghelm\(金航标\)](#)