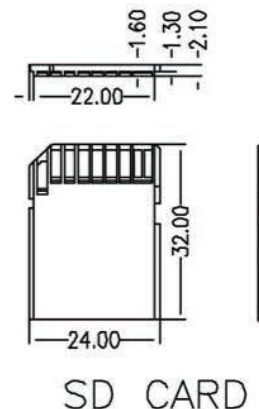
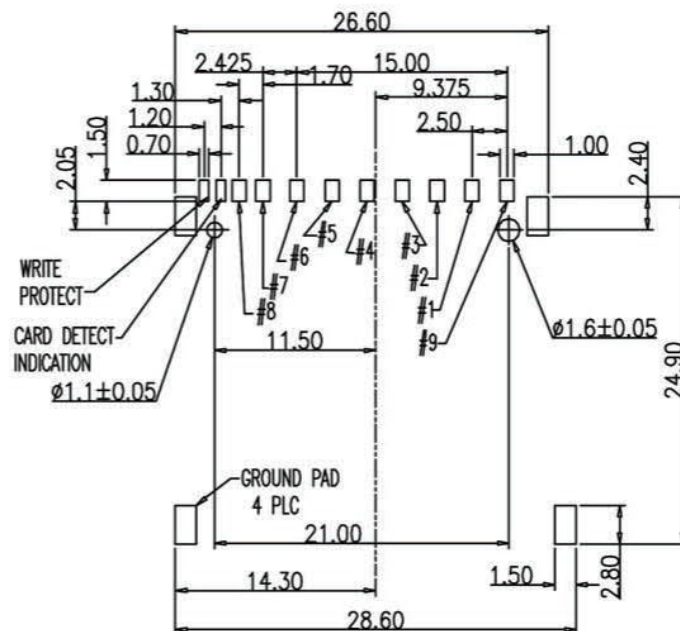
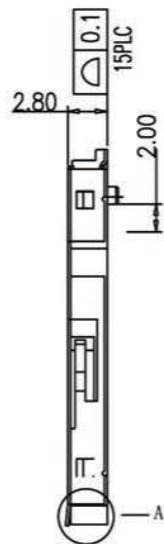
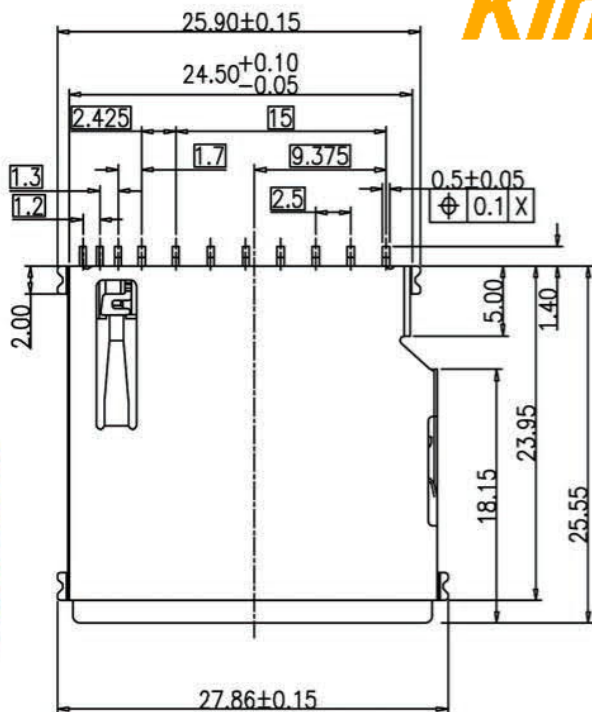


REV.	DATE	MODIFICATION	APPROVER
Ⓐ	12.02.22	NEW	Vicky
Ⓑ	12.07.20	A处改不包住胶芯	
Ⓒ			

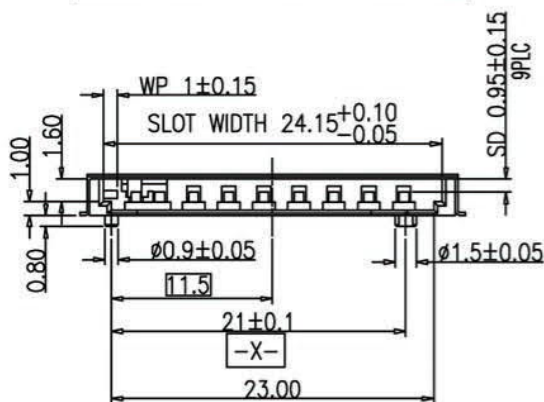
OÉ Foxit PDF Editor ±¼-  
 °æE...ÛÖÐ (c) by Foxit Software Company, 2004  
 'æE...ÛÖÐ (c) by Foxit Software Company, 2004  
 'æE...ÛÖÐ (c) by Foxit Software Company, 2004



Note:

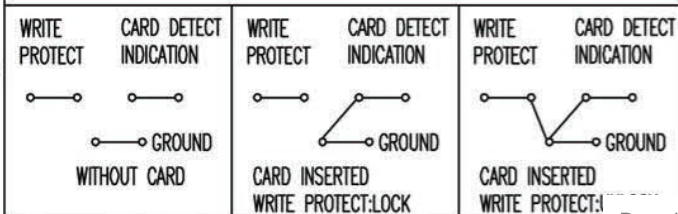
- Materials:
  - Housing: LCP 30%GP, UL94V-0, Colour: White, 260°C 30second
  - Contact: C2680, Gold plated 1U", Tin plated 100U" on Solder Tails
  - Shell: C2680, Nickel plated 100U"
- Main features:
  - Insertion force: 4.0kgf MAX
  - Extraction force: 0.1kgf MIN
  - Life cycle: 1000 times
  - Insulation resistance: 100Ω MIN 500V
  - Contact resistance: 100mΩ MAX

RECOMMENDED PCB LAYOUT  
(TOLERANCE:±0.1)



型号: KH-SD2825-B

PIN Assignment			
PIN#	Name	Type	Card Detect/bete line[Bit3]
1	CD/DAT3	I/O/PP	Cornard/response
2	CMD	PP	Supply voltage
3	VSS1	S	Supply voltage ground
4	VDD	S	Supply voltage
5	CLK	I	Clock
6	VSS2	S	Supply voltage ground
7	DAT0	I/O/PP	Date line [Bit0]
8	DAT1	I/O/PP	Date line [Bit1]
9	DAT2	I/O/PP	Date line [Bit2]



GENERAL TOLERANCE				UNITS	NAME
SELECT	TOL	1	2	3	mm
OR		1	2	3	MAT'L
X.XXX	±	0.05	0.15		NONE
X.XX	±	0.13	0.25		FINISH
X.X	±	0.10	0.25	0.5	NONE
X.	±	0.38	1.00		Q'TY
ANGLE	±	1°			NONE

PART NO:	
APPD:	
CHKD:	
DR:	

深圳市金航标电子有限公司			
TITLE: SD CARD 长体			
DWG NO.			
	SCALE	SHEET	REV
	1:1	1 OF 1	B



单击下面可查看定价，库存，交付和生命周期等信息

[>>kinghelm\(金航标\)](#)