

产品规格书

型号: KH-XH-PT.TJC3

技术参数 SPECIFICATIONS

线数 (Poles): 2~20

适用线规 (Applicable wires): AWG28#~22#

适用基板厚度 (Applicable PC board thickness): 1.6mm

温度范围 (Temperature range): -25°C~85°C

额定电压 (Voltage rating): 250V.AC/DC

额定电流 (Current rating): 3A

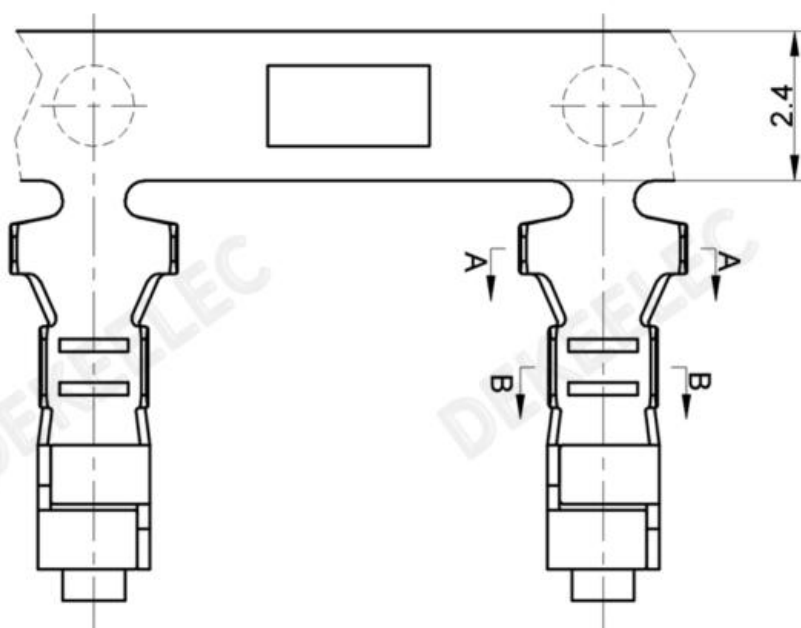
接触电阻 (Contact resistance): $\leq 0.02\Omega$ 绝缘电阻 (Insulation resistance): $\geq 1000M\Omega$

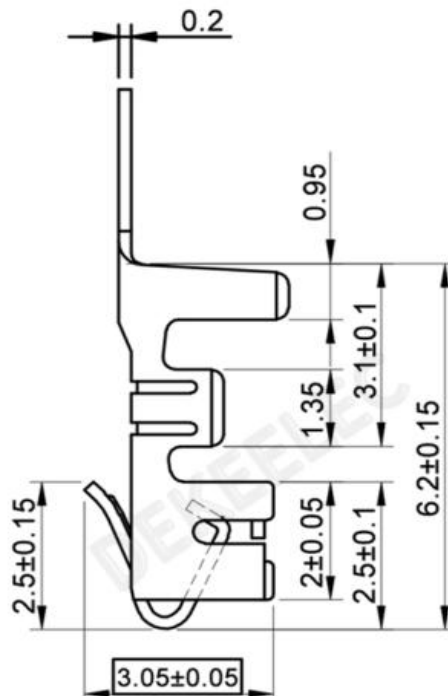
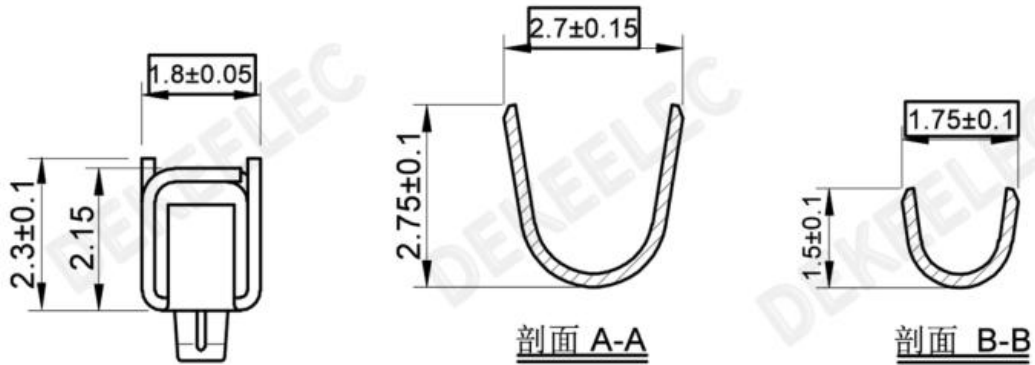
耐压 (Withstand voltage): 1000V.AC/1min

材 料 MATERIAL

端子 (Terminal): 磷青铜 (Phos.bronze Tin/plated)

XH/TJC3-PT





端子Terminal(XH/TJC3)

型号 Type	适用线规 Applicable wires		电线外径 O.D of wire ins
	mm ²	AWG#	mm
XH-PT	0.08~0.33	28~22	1.0~1.8

单击下面可查看定价，库存，交付和生命周期等信息

[>>kinghelm\(金航标\)](#)