

PRODUCT NO.	DSPV02LHGCT
RoHS compliant	

REV.	ECN NO.	DR	DATE

REV.	ECN NO.	DR	DATE

NOTES : 1 Specification:

- 1>. Operating force: 10000gf Max
- 2>. Operating Temperature: -40° to+85°
- 3>. Storage Temperature: -40° to+85°
- 4>. Mechanical Life: 3000cycles minimum
- 5>. Electrical Life: 2000cycles minimum

2. PLATING:

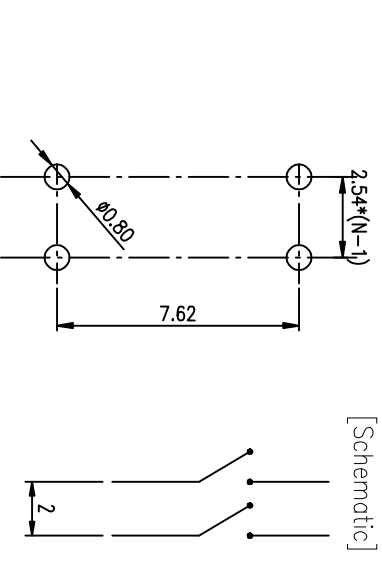
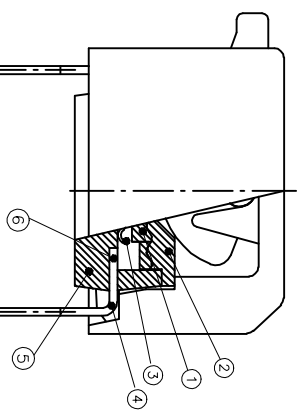
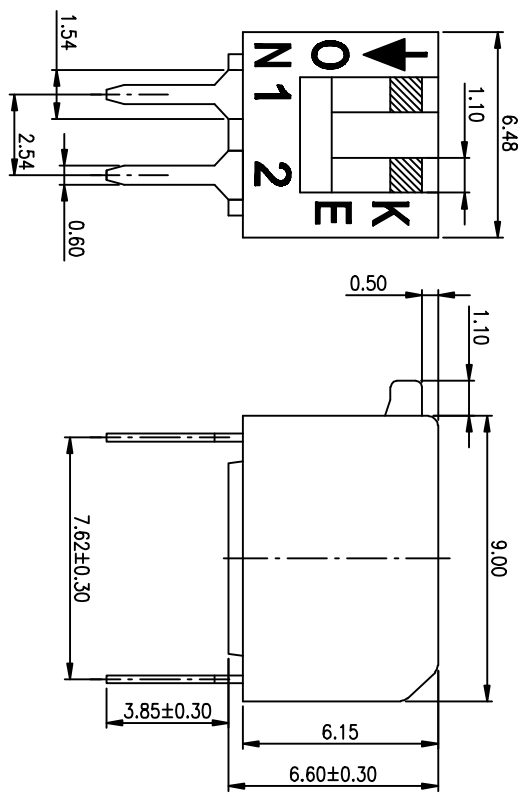
GOLD FLASH 1u"(min.) SOLDER TAIL,  
3u" GOLD PLATING ON THE CONTACT AREA,  
WITH 50u" NICKEL UNDERPLATING OVERALL.

3. CONTACT RATING:

1. SWITCHING: 25mA at 24VDC
2. NON-SWITCHING: 100mA at 50VDC
- WITH 50u" NICKEL UNDERPLATING OVERALL.

4. PART NUMBER DESCRIPTION :

DS XX I S G E T  
 [ Packing: T=Tube R=Reel ]  
 [ Finish: E=3u" Gold-plated F=10u" Gold-plated ]  
 [ Finish: G=Full Gold S=Contact-Gold-plated ]  
 [ Terminal: S=SMD type H=Straight..... ]  
 [ Actuator: T=Tape sealed S=Low profile W/O Tape L=Extension ]  
 [ HP=Half-Pitch IC=IC type PV=Plano type ]



RECOMMENDED P.C.B. LAYOUT (TOP VIEW)

Number	Part Name	Material	Finished
①	Actuator	UL94 V0	White
②	Cover	UL94 V0	Black
③	Movable	Copper Alloy	3u" Gold
④	Terminal	Brass	1u" Gold
⑤	Base	UL94 V0	Black
⑥	Terminal Contact	Brass	3u" Gold

TOLERANCE UNLESS OTHERWISE SPECIFIED		INSPECTION COPY	
LINER	ANGLES	PROJECTION	
0 ± 0.25	0 ± 2'		
.00 ± 0.15	.0 ± 1'		
.000± 0.10	.00± 0.5'		
DESIGN kathy		03/20/12	
DRAWING			
CHECK			
APPRO.			

**东莞市广誉实业有限公司**  
Dongguan Kingtek Industrial Co., Ltd.

TITLE: BY DSPV SERIES PITCH 2.54mm

PRODUCT FAMILY: DSPV SERIES

PRAT NO.: DSPV02LHGCT

FILE NO.: DSPV02LHGCT-A

SIZE	UNIT	SCALE	SHEET	REV.
A4	mm	2 : 1	1 OF 1	A

单击下面可查看定价，库存，交付和生命周期等信息

[>>KINGTEK\(广督\)](#)