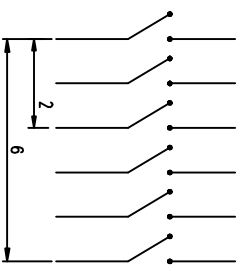
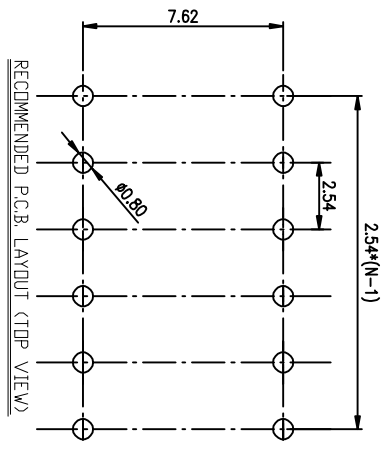
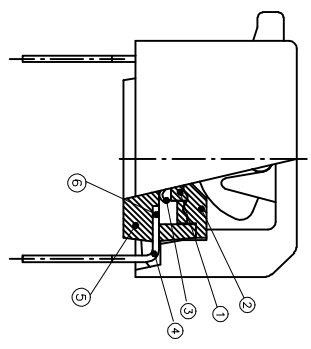
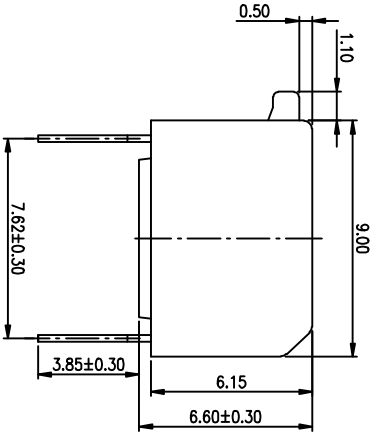
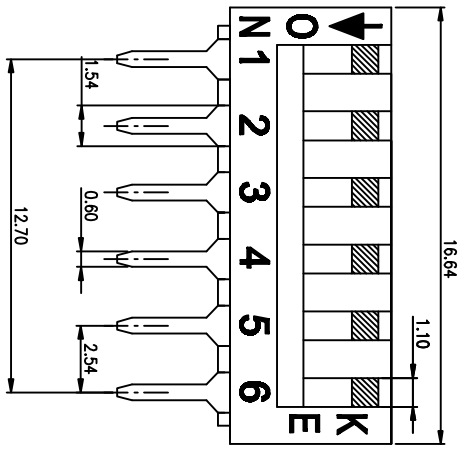


PRODUCT NO. DSPV06LHGCT  
RoHS compliant



DS XX T S G E T  
 [Packing: T=Tube R=Reel]  
 [Finish: F=3u" Gold-plated F=10u" Gold-plated]  
 [Finish: G=Full Gold S=Contact-Gold-plated]  
 [Terminal: S=SMD type B=Strait.....]  
 [Actuator: T=Tape sealed S=Low profile W/O Tape L=Extension]  
 [HP=Half Pitch IC=IC type PV=Plano type]

- NOTES : 1 Specification:  
 1>.Operating force:10000gf Max  
 2>.Operating Temperature: -40° to+85°  
 3>.Storage Temperature: -40° to+85°  
 4>.Mechanical Life:3000cycles minimum  
 5>Electrical Life:2000cycles minimum
2. PLATING:  
 GOLD FLASH 1u"(min.) SOLDER TALL,  
 3u" GOLD PLATING ON THE CONTACT AREA,  
 WITH 50u" NICKEL UNDERPLATING OVERALL.
3. CONTACT RATING:  
 1. SWITCHING: 25mA at 24VDC  
 2. NON-SWITCHING: 100mA at 50VDC  
 WITH 50u" NICKEL UNDERPLATING OVERALL.
4. PART NUMBER DESCRIPTION :

REV.	ECN NO.	DR	DATE

Number	Part Name	Material	Finished
①	Actuator	UL94 V0	White
②	Cover	UL94 V0	Black
③	Movable	Copper Alloy	3u" Gold
④	Terminal	Brass	1u" Gold
⑤	Base	UL94 V0	Black
⑥	Terminal Contact	Brass	3u" Gold

TOLERANCE UNLESS OTHERWISE SPECIFIED		INSPECTION	
LINER	ANGLES	COPY	PROJECTION
0 ± 0.25	0 ± 2'		
.00 ± 0.15	.0 ± 1'		
.000 ± 0.10	.00 ± 0.5'		
DESIGN	kathy	03/20/12'	
DRAWING			
CHECK			
APPRO.			

FILE NO.	DSPV06LHGCT-A
SIZE	UNIT SCALE SHEET REV.
A4	mm Z : 1 TOP: 1 A

**RE** 东莞市广聚实业有限公司  
 Dongguan Kingtek Industrial Co., Ltd.

TITLE  
 BY DSPV SERIES PITCH 2.54mm

PRODUCT FAMILY DSPV SERIES  
 PRAT NO. DSPV06LHGCT

单击下面可查看定价，库存，交付和生命周期等信息

[>>KINGTEK\(广督\)](#)