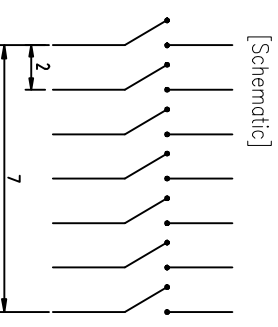
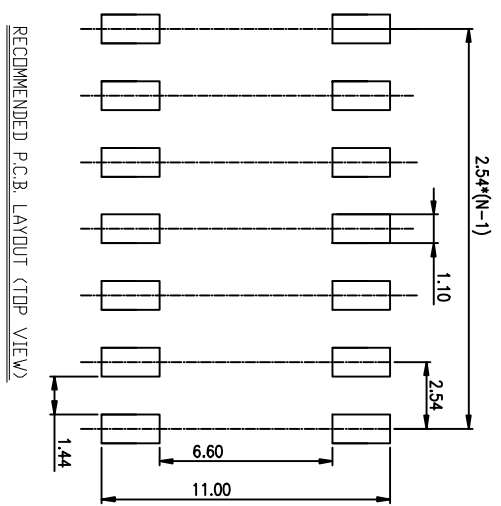
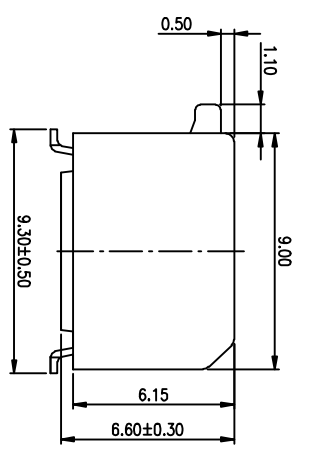
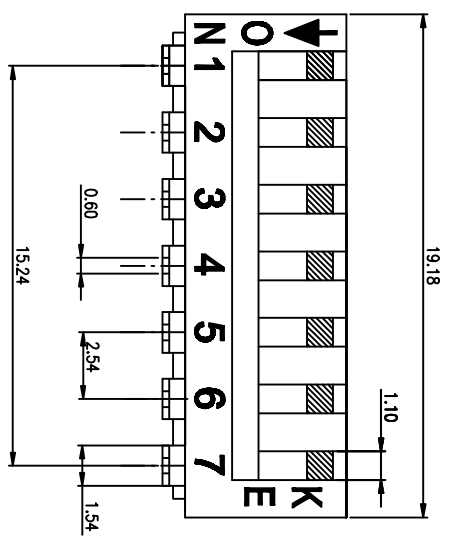


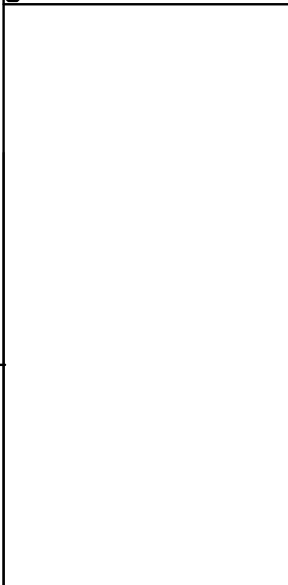
PRODUCT NO. DSPV07LSGET  
RoHS compliant



DS XX T S G E T  
 [Packing: T=Tube R=Reel]  
 [Finish: E=3u" Gold-plated F=10u" Gold-plated]  
 [Finish: G=Full Gold S=Contact-Gold-plated]  
 [Terminal: S=SMD type H=Straight.....]  
 [Actuator: T=Tape sealed S=Low profile W/O Tape L=Extension]  
 [HP=Half-Pitch IC=IC type PV=Plano type]

4. PART NUMBER DESCRIPTION :

- NOTES :
- 1>.Specification:
  - 2>.Operating force: 1000gf Max
  - 3>.Operating Temperature: -40° to+85°
  - 4>.Storage Temperature: -40° to+85°
  - 5>.Mechanical Life: 3000cycles minimum
  - 6>.PLATING:  
GOLD FLASH 1u"(min.) SOLDER TAIL,  
3u" GOLD PLATING ON THE CONTACT AREA,  
WITH 50u" NICKEL UNDERPLATING OVERALL.
  - 7>.CONTACT RATING:  
1.SWITCHING: 25mA at 24ADC  
2.NON-SWITCHING: 100mA at 50VDC  
WITH 50u" NICKEL UNDERPLATING OVERALL.



Number	Part Name	Material	Finished
①	Actuator	UL94 V0	White
②	Cover	UL94 V0	Black
③	Movable	Copper Alloy	3u" Gold
④	Terminal	Brass	1u" Gold
⑤	Base	UL94 V0	Black
⑥	Terminal Contact	Brass	3u" Gold

TOLERANCE UNLESS OTHERWISE SPECIFIED		INSPECTION	
LINER	ANGLES	COPY	PROJECTION
0 ± 0.25	0 ± 2'		
.00 ± 0.15	.0 ± 1'		
.000 ± 0.10	.00 ± 0.5'		
DESIGN	kathy	2013/01/12	
DRAWING			
CHECK			
APPRO.			

TITLE BY DSPV SERIES PITCH 2.54mm PRODUCT FAMILY DSPV SERIES PRAT NO. DSPV07LSGET			
FILE NO.	DSPV07LSGET-A	SIZE	UNIT
SCALE	SHEET	SCALE	SHEET
REV.	REV.	TOP	REV.
A4	mm	Z : 1	TOP

单击下面可查看定价，库存，交付和生命周期等信息

[>>KINGTEK\(广督\)](#)