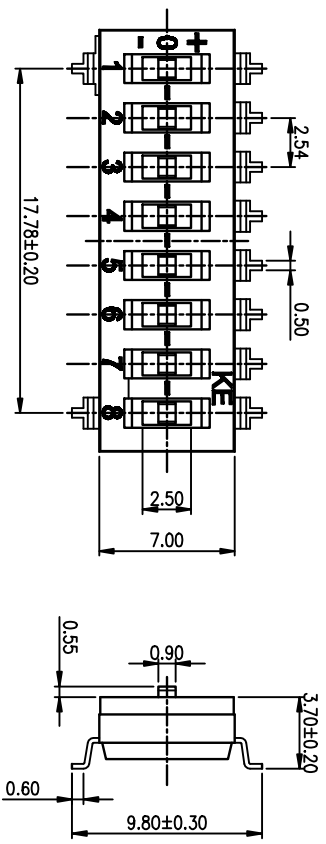
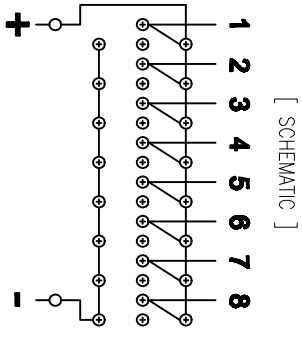
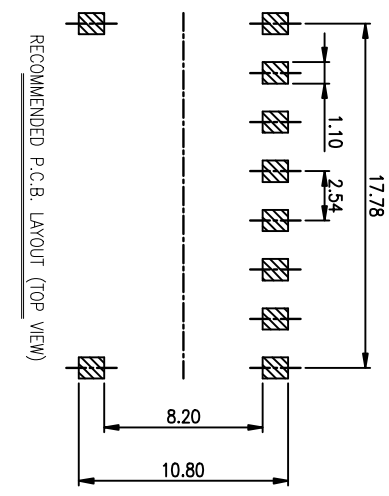


PRODUCT NO. DSDT08LSGET
RoHS compliant

REV.	ECN NO.	DR	DATE
A	New	H H	15/01/22

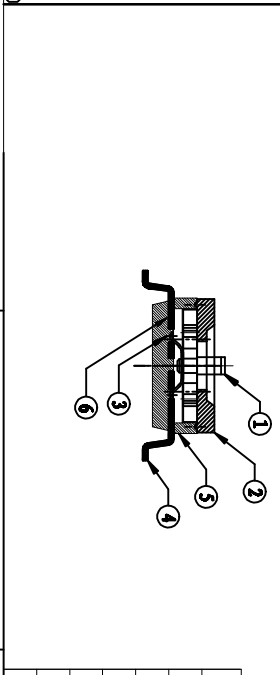
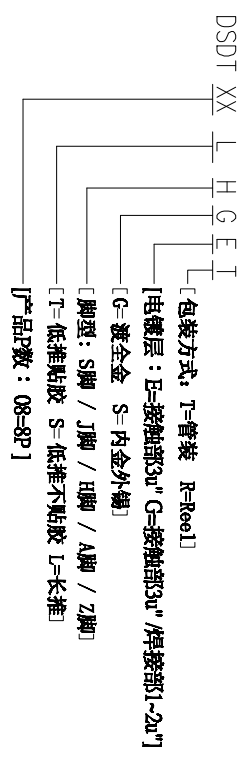


POS.	DIMENSIONS	
	A	B
4P	11.64	7.62
5P	14.18	10.16
8P	21.80	17.78
9P	24.34	20.32
10P	26.88	22.86



- NOTES :
- Specification:
 - Operating force: 1000g/f Max
 - Mechanical Life: 3000cycles minimum
 - Electrical Life: 2000cycles minimum
 - Contact Rating:
 - Switching: 25mA, 24VDC
 - Non Switching 100mA, 50VDC
 - Contact Resistance:
 - Initial: 50mOhm Max.
 - After Life Test: 100mOhm Max.
 - PLATING:
 - GOLD FLASH 1u"(min.) SOLDER TAIL, 3u" GOLD PLATING ON THE CONTACT AREA, WITH 50u" NICKEL UNDERPLATING OVERALL.

3. PART NUMBER DESCRIPTION



Number	Part Name	Material	Finished
①	Actuator	UL94 V0	White
②	Cover	UL94 V0	Black
③	Movoble	Copper Alloy	3u"Gold
④	Terminal	Brass	1u"Gold
⑤	Base	UL94 V0	Black
⑥	Terminal Contact	Brass	3u"Gold

TOLERANCE UNLESS OTHERWISE SPECIFIED		INSPECTION COPY	
LINER	ANGLES	PROJECTION	
0 ± 0.25	0 ± 2'		
.00 ± 0.15	.0 ± 1'		
.000 ± 0.10	.00 ± 0.5'		
DESIGN	CHI HUAI HE	2015/01/22	
DRAWING			
CHECK			
APPRO.			
东莞市广誉实业有限公司 Dongguan Kingtek Industrial Co., Ltd.		TITLE BY DSDT SERIES PITCH 2.54mm PRODUCT FAMILY DSDT SERIES PRAT NO. DSDT08LSGET FILE NO. DSDT08LSGET-A SIZE UNIT SCALE SHEET REV. A4 mm 1 : 1 1 OF 1 A	

单击下面可查看定价，库存，交付和生命周期等信息

[>>KINGTEK\(广督\)](#)