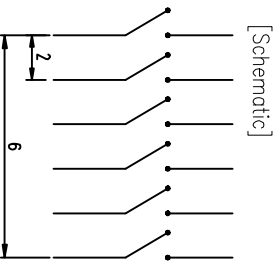
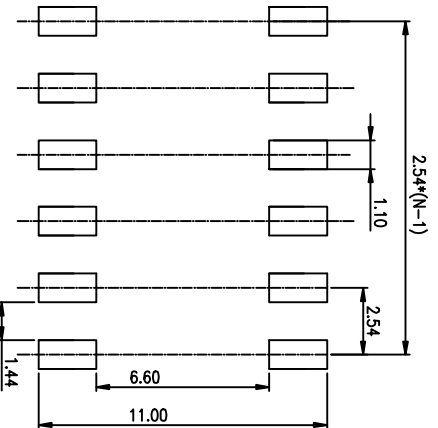
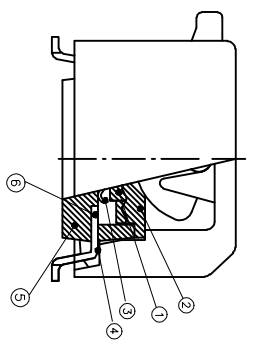
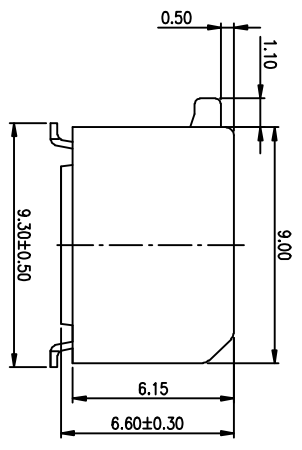
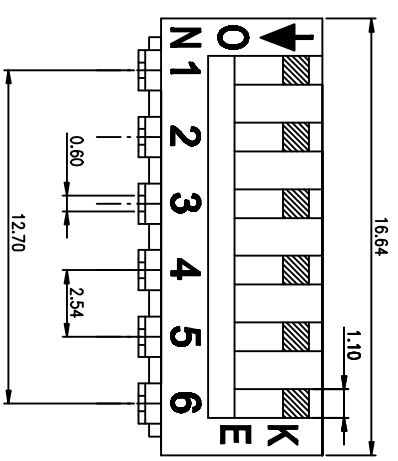


PRODUCT NO. DSPV06LSGET
RoHS compliant



NOTES : 1 Specification:

- 1>.Operating force:10000gf Max
 - 2>.Operating Temperature: -40° to+85°
 - 3>.Storage Temperature: -40° to+85°
 - 4>.Mechanical Life:3000cycles minimum
 - 5>Electrical Life:2000cycles minimum
2. PLATING:
GOLD FLASH 1u”(min.) SOLDER TALL,
3u” GOLD PLATING ON THE CONTACT AREA,
WITH 50u” NICKEL UNDERPLATINGOVERALL.
3. CONTACT RATING:
1.SWITCHING:25mA at 24VDC
2.NON-SWITCHING:100mA at 50VDC
WITH 50u” NICKEL UNDERPLATINGOVERALL.

4. PART NUMBER DESCRIPTION :

DS XX I S G E T
 [Packing:T=Tube R=Reel]
 [Finish:R=3u” Gold-plated F=10u” Gold-plated]
 [Finish:G=Full Gold S=Contact-Gold-plated]
 [Terminal:S=SMD type B=Strait:.....]
 [Actuator:T=Tape sealed S=Low profile W/O Tape L=Extension]
 [HP=Half Pitch IC=IC type PV=Plano type]

Number	Part Name	Material	Finished
①	Actuator	UL94 V0	White
②	Cover	UL94 V0	Black
③	Movable	Copper Alloy	3u” Gold
④	Terminal	Brass	1u” Gold
⑤	Base	UL94 V0	Black
⑥	Terminal Contact	Brass	3u” Gold

TOLERANCE UNLESS OTHERWISE SPECIFIED		INSPECTION COPY	
LINER	ANGLES	PROJECTION	
0 ± 0.25	0 ± 2°		
.00 ± 0.15	.0 ± 1°		
.000± 0.10	.00± 0.5°		

FILE NO.	UNIT	SCALE	SHEET	REV.
A4	mm	2 : 1	TOP-1	A

东莞市广誉实业有限公司
Dongguan Kingtek Industrial Co., Ltd.

TITLE
BY DSPV SERIES PITCH 2.54mm
PRODUCT FAMILY DSPV SERIES
PRAT NO. DSPV06LSGET

DESIGN
DRAWING
CHECK
APPRO.

DESIGN
DRAWING
CHECK
APPRO.

单击下面可查看定价，库存，交付和生命周期等信息

[>>KINGTEK\(广督\)](#)