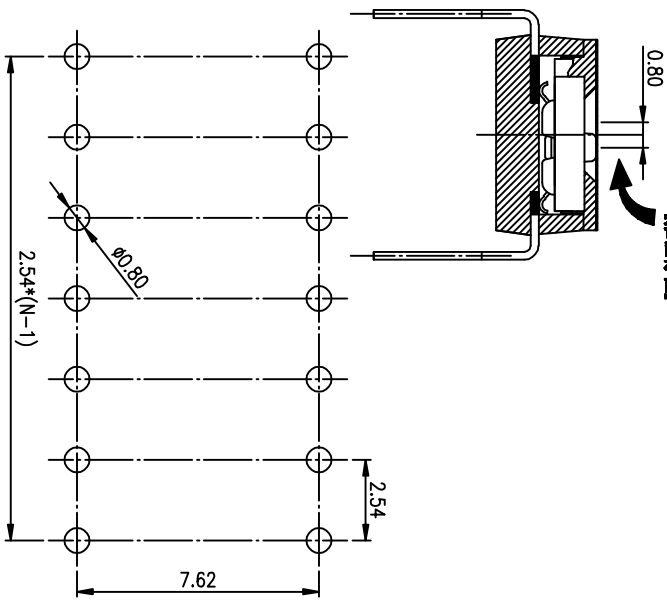
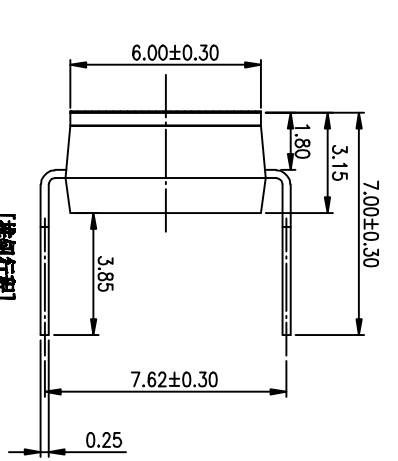
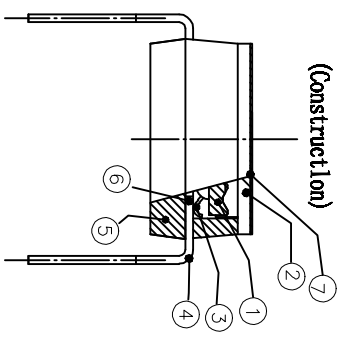
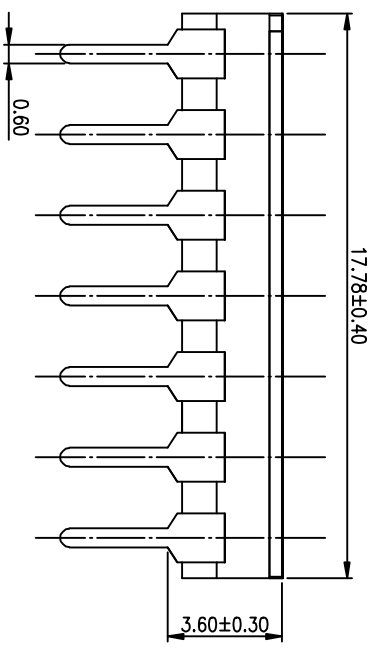
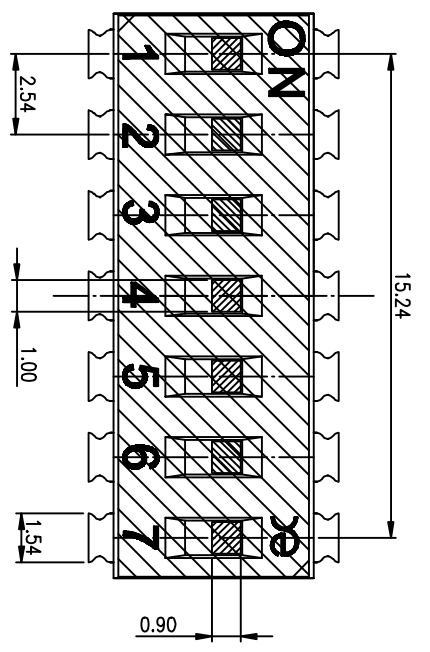
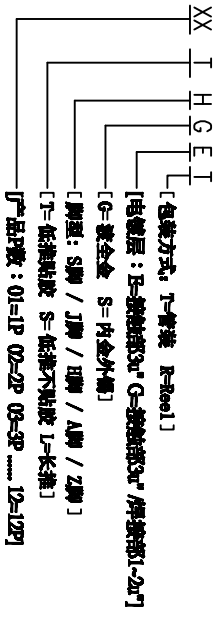


PRODUCT NO.	DISCO7HGET
NO.	RoHS compliant

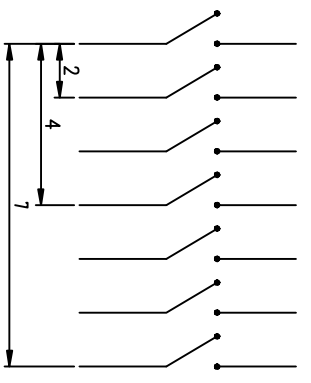


- NOTES :
- 1> Specification:
 - 1> Operating force: 1000gf Max
 - 2> Operating Temperature: -40° to +85°
 - 3> Storage Temperature: -40° to +85°
 - 4> Mechanical Life: 3000cycles minimum
 - 5> Electrical Life: 2000cycles 25mA 24VDC
 2. PLATING:
 - GOLD FLASH 1u"(min.) SOLDER TAIL,
 - 3u" GOLD PLATING ON THE CONTACT AREA,
 - WITH 50u" NICKEL UNDERPLATING OVERALL.

3. PART NUMBER DESCRIPTION



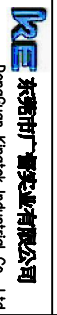
[Schematic]



RECOMMENDED P.C.B. LAYOUT (TOP VIEW)

Number	Part Name	Material	Finished
①	Actuator	UL94 VO	White
②	Cover	UL94 VO	Black
③	Movable	Copper Alloy	3u"Gold
④	Terminal	Brass	1u"Gold
⑤	Base	UL94 VO	Black
⑥	Terminal Contact	Brass	3u"Gold
⑦	Mylar	UL94 VO	0.05mm

TOLERANCE UNLESS OTHERWISE SPECIFIED		INSPECTION COPY	
LINER	ANGLES	PROJECTION	COPY
0 ± 0.25	0. ± 2°	0 ± 0.15	0. ± 1°
.000 ± 0.10	.00 ± 0.5°	.00 ± 0.10	.00 ± 0.5°
DESIGN		DRAWING	
PRAT NO. kathy		2012/04/12	
PRODUCT FAMILY DSIC SERIES		DISCO7HGET	
BY DSIC SERIES PITCH 2.54mm		FILE NO. DISCO7HGET-A	
DRAWING		CHECK	
APPRO.		APPD.	
SIZE UNIT SCALE SHEET REV.		A4 mm 2 : 1 1 OF 1 A	



单击下面可查看定价，库存，交付和生命周期等信息

[>>KINGTEK\(广督\)](#)