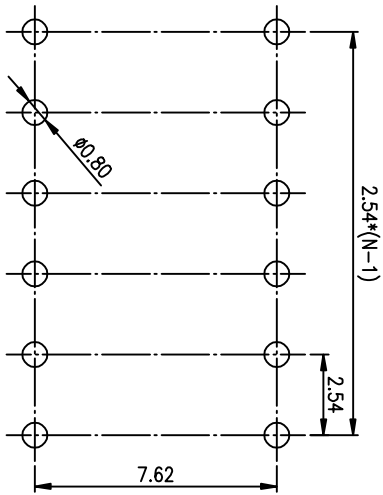
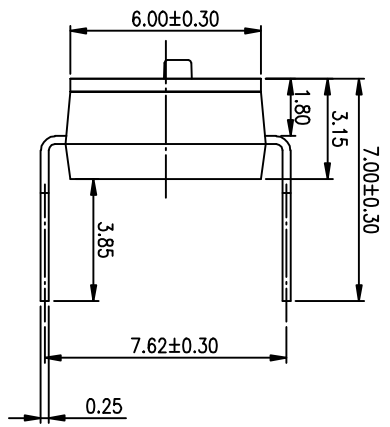
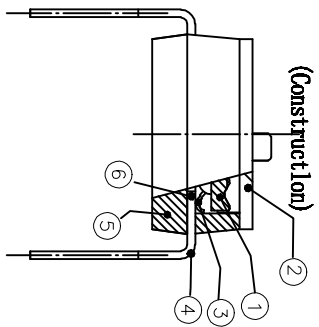
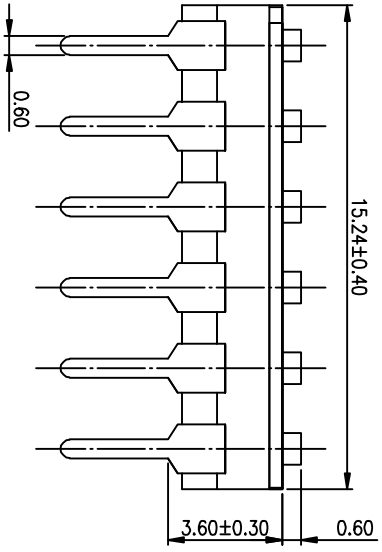
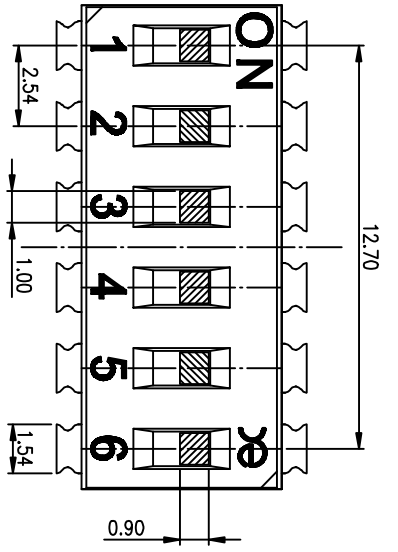
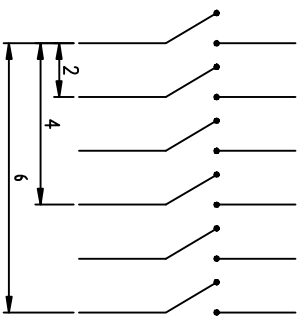


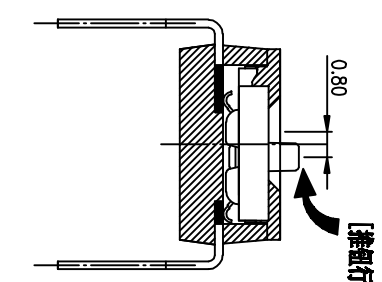
PRODUCT NO.	1
DISCO61HGET	RoHS compliant



**RECOMMENDED P.C.B. LAYOUT (TOP VIEW)**



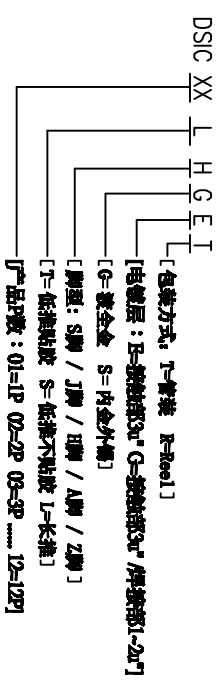
[Schematic]



[推板行程]

- NOTES :
- 1> Specification:
- 1> Operating force: 1000gf Max
  - 2> Operating Temperature: -40° to +85°
  - 3> Storage Temperature: -40° to +85°
  - 4> Mechanical Life: 3000cycles minimum
  - 5> Electrical Life: 2000cycles 25mA 24VDC
2. PLATING:
- GOLD FLASH 1u"(min.) SOLDER TAIL,
  - 3u" GOLD PLATING ON THE CONTACT AREA,
  - WITH 50u" NICKEL UNDERPLATING OVERALL.

3. PART NUMBER DESCRIPTION



Number	Part Name	Material	Finished
①	Actuator	UL94 V0	White
②	Cover	UL94 V0	Black
③	Movable	Copper Alloy	3u"Gold
④	Terminal	Brass	1u"Gold
⑤	Base	UL94 V0	Black
⑥	Terminal Contact	Brass	3u"Gold

TOLERANCE UNLESS OTHERWISE SPECIFIED	INSPECTION COPY
LINER	PROJECTION
0 ± 0.25	0. ± 2'
.00 ± 0.15	.0 ± 1'
.000 ± 0.10	.00 ± 0.5'

DESIGN	lathy	2012/04/12
DRAWING		
CHECK		
APPRO.		

FILE NO.	DISCO61HGET-A
SIZE	UNIT SCALE SHEET REV.
A4	mm 2 : 1 10F-1 A

**东莞市富安工业有限公司**  
Dongguan Kingtek Industrial Co., Ltd.

BY DISC SERIES PITCH 2.54mm

PRODUCT FAMILY DISC SERIES

PRAT NO. DISCO61HGET

DISCO61HGET

DISCO61HGET-A

UNIT SCALE SHEET REV.

A4 mm 2 : 1 10F-1 A

单击下面可查看定价，库存，交付和生命周期等信息

[>>KINGTEK\(广督\)](#)