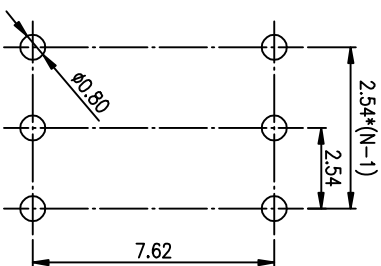
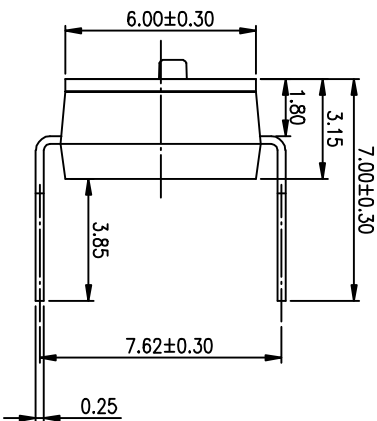
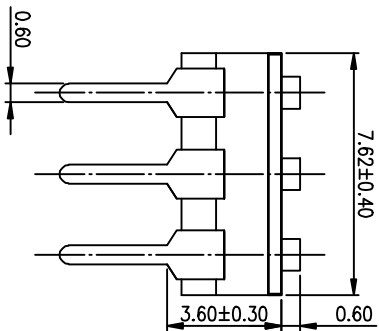
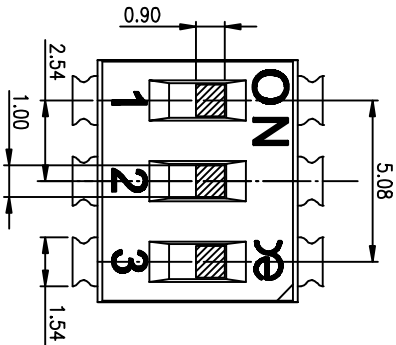
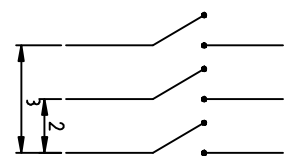


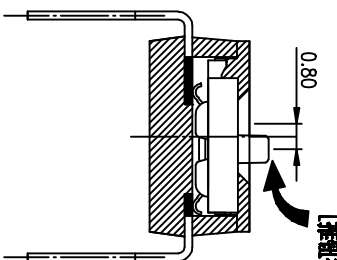
<b>PRODUCT NO.</b>	1
<b>DISC031HGET</b>	
<b>RoHS compliant</b>	



**RECOMMENDED P.C.B. LAYOUT (TOP VIEW)**



[Schematic]

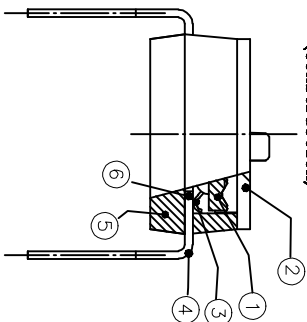


[推板行程]

- NOTES :
- 1> Specification:
    - 1> Operating force: 1000gf Max
    - 2> Operating Temperature: -40° to +85°
    - 3> Storage Temperature: -40° to +85°
    - 4> Mechanical Life: 3000cycles minimum
    - 5> Electrical Life: 2000cycles 25mA 24VDC
  2. PLATING:
    - GOLD FLASH 1u"(min.) SOLDER TAIL,
    - 3u" GOLD PLATING ON THE CONTACT AREA,
    - WITH 50u" NICKEL UNDERPLATING OVERALL.

3. PART NUMBER DESCRIPTION

DISC XX L H G E T  
 [包装方式: T=管接 R=插孔]  
 [电镀层: B=镀镍3u" G=镀镍3u" / 厚镍3u"-2u"]  
 [G=鍍金 S=內金外鍍]  
 [潤滑: S=潤 / J=潤 / 環 / A=潤 / Z=潤]  
 [T=低摩擦度 S=低摩擦度 T=長推]  
 [產品碼: 01=1P 02=2P 03=3P ..... 12=12P]



(Construction)

Number	Part Name	Material	Finished
①	Actuator	UL94 V0	White
②	Cover	UL94 V0	Black
③	Movable	Copper Alloy	3u"Gold
④	Terminal	Brass	1u"Gold
⑤	Base	UL94 V0	Black
⑥	Terminal Contact	Brass	3u"Gold

TOLERANCE UNLESS OTHERWISE SPECIFIED		INSPECTION	
LINER	ANGLES	COPY	PROJECTION
0 ± 0.25	0. ± 2'		
.00 ± 0.15	.0 ± 1'		
.000± 0.10	.00± 0.5'		
DESIGN	kathy	2012/04/12	
DRAWING			
CHECK			
APPRO.			

**KE 东莞市 睿家实业有限公司**  
 Dongguan Kingtek Industrial Co., Ltd.

BY DISC SERIES PITCH 2.54mm  
 PRODUCT FAMILY DISC SERIES  
 PRAT NO. DISC031HGET  
 FILE NO. DISC031HGET-A  
 SIZE UNIT SCALE SHEET REV.  
 A4 mm 2 : 1 1 OF 1 A

单击下面可查看定价，库存，交付和生命周期等信息

[>>KINGTEK\(广督\)](#)