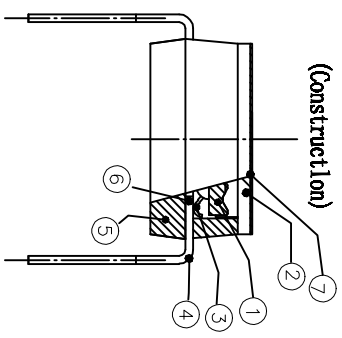
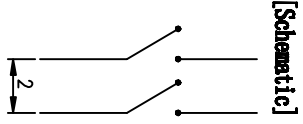


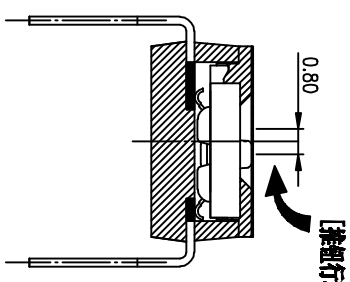
(Construction)



**RECOMMENDED P.C.B. LAYOUT (TOP VIEW)**



[Schematic]



[推組行程]

- NOTES :
- 1> Specification:
    - 1> Operating force: 1000gf Max
    - 2> Operating Temperature: -40° to +85°
    - 3> Storage Temperature: -40° to +85°
    - 4> Mechanical Life: 3000cycles minimum
    - 5> Electrical Life: 2000cycles 25mA 24VDC
  2. PLATING:
    - GOLD FLASH 1u"(min.) SOLDER TAIL,
    - 3u" GOLD PLATING ON THE CONTACT AREA,
    - WITH 50u" NICKEL UNDERPLATING OVERALL.

3. PART NUMBER DESCRIPTION

DISC XX I H G E T  
 [包裝方式: T=管裝 R=盒裝]  
 [電鍍層: B=鍍鍍3u" G=鍍鍍3u" 焊線鍍1-2u"]  
 [G=鍍金 S=內金少鍍]  
 [腳型: S脚 / J脚 / 環脚 / A脚 / Z脚]  
 [T=低推行程 S=低推不推行程 L=長推]  
 [產品碼: 01=1P 02=2P 03=3P ..... 12=12P]

Number	Part Name	Material	Finished
①	Actuator	UL94 VO	White
②	Cover	UL94 VO	Black
③	Movable	Copper Alloy	3u"Gold
④	Terminal	Brass	1u"Gold
⑤	Base	UL94 VO	Black
⑥	Terminal Contact	Brass	3u"Gold
⑦	Mylar	UL94 VO	0.05mm

TOLERANCE UNLESS OTHERWISE SPECIFIED		INSPECTION COPY	
LINER	ANGLES	PROJECTION	COPY
0 ± 0.25	0. ± 2'	0.00 ± 0.10	0.00 ± 0.10
.00 ± 0.15	.0 ± 1'	.00 ± 0.10	.00 ± 0.10
DESIGN	PRAT NO.	2012/04/12	
DRAWING	PRODUCT FAMILY	DISC02THGET	
CHECK	FILE NO.	DISC02THGET-A	
APPRO.	SIZE	UNIT	SCALE
	A4	mm	2 : 1

**東莞市廣業有限公司**  
Dongguan Kingtek Industrial Co., Ltd.

BY DISC SERIES PITCH 2.54mm

PRODUCT FAMILY DISC SERIES

FILE NO. DISC02THGET-A  
 SIZE UNIT SCALE SHEET REV.  
 A4 mm 2 : 1 1 OF 1 A

单击下面可查看定价，库存，交付和生命周期等信息

[>>KINGTEK\(广督\)](#)