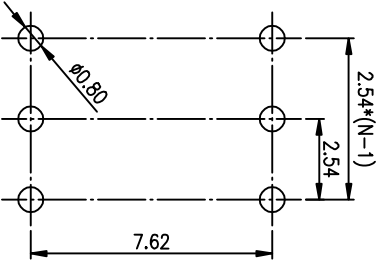
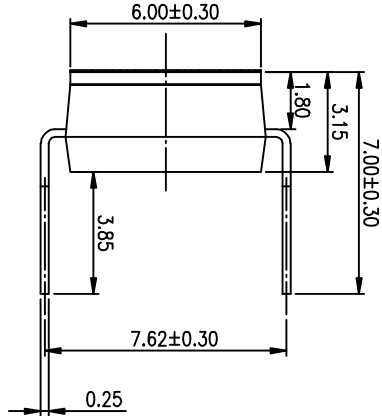
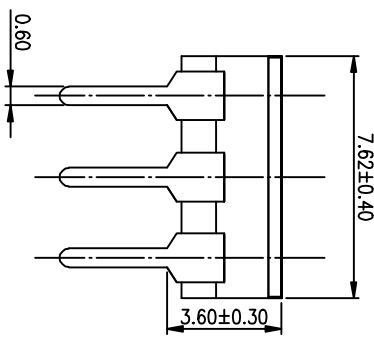
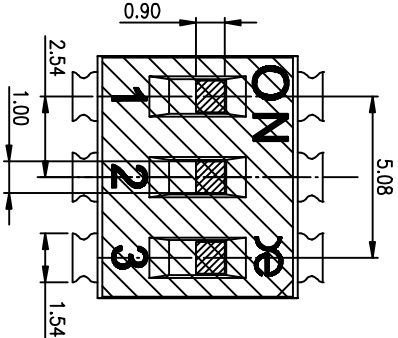
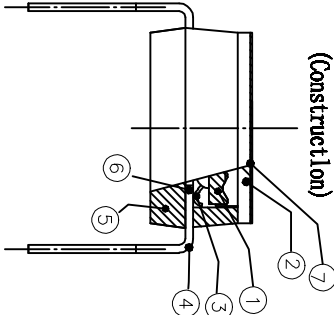


PRODUCT NO. DSIC03THGET	NO. 1	RoHS compliant
-----------------------------------	-----------------	-----------------------



RECOMMENDED P.C.B. LAYOUT (TOP VIEW)

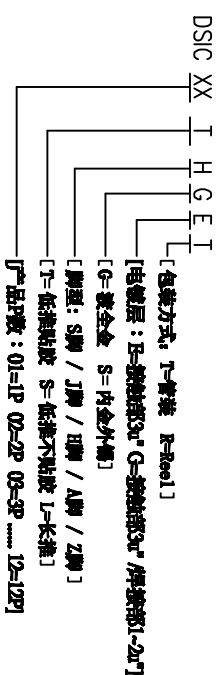
(Construction)



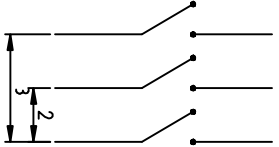
NOTES :

- 1.> Specification:
 1> Operating force: 1000gf Max
 2> Operating Temperature: -40° to +85°
 3> Storage Temperature: -40° to +85°
 4> Mechanical Life: 3000cycles minimum
 5> Electrical Life: 2000cycles 25mA 24VDC
2. PLATING:
 GOLD FLASH 1u"(min.) SOLDER TAIL,
 3u" GOLD PLATING ON THE CONTACT AREA,
 WITH 50u" NICKEL UNDERPLATING OVERALL.

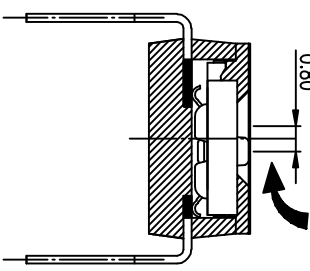
3. PART NUMBER DESCRIPTION



[Schematic]



[推板行程]



Number	Part Name	Material	Finished
①	Actuator	UL94 V0	White
②	Cover	UL94 V0	Black
③	Movable	Copper Alloy	3u"Gold
④	Terminal	Brass	1u"Gold
⑤	Base	UL94 V0	Black
⑥	Terminal Contact	Brass	3u"Gold
⑦	Mylar	UL94 V0	0.05mm

TOLERANCE UNLESS OTHERWISE SPECIFIED		INSPECTION COPY	
LINER	ANGLES	PROJECTION	
0 ± 0.25	0 ± 2'	BY DISC SERIES PITCH 2.54mm	
.00 ± 0.15	.0 ± 1'	PRODUCT FAMILY DSIC SERIES	
.000 ± 0.10	.00 ± 0.5'	PRAT NO. DSIC03THGET	
DESIGN kathy		2012/04/12	
DRAWING		FILE NO. DSIC03THGET-A	
CHECK		SIZE UNIT SCALE SHEET REV.	
APPRO.		A4 mm 2 : 1 1 OF 1 A	



单击下面可查看定价，库存，交付和生命周期等信息

[>>KINGTEK\(广督\)](#)