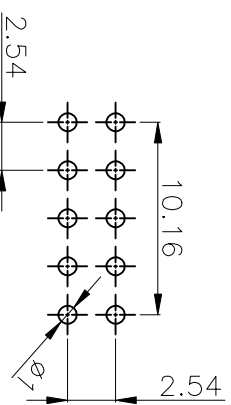
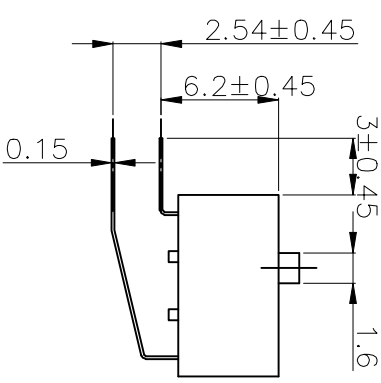
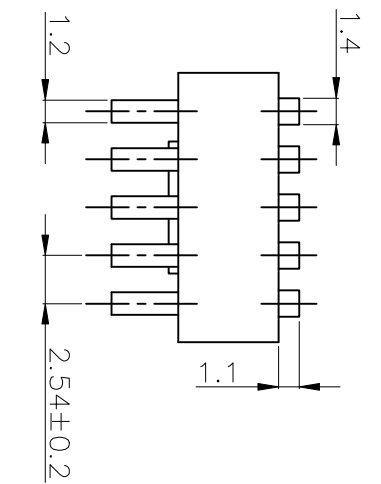
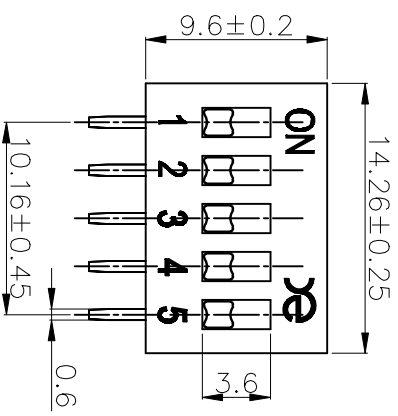


PRODUCT NO.	DSDA05LHGET
RoHS compliant	



P.C.B LAYOUT

- Note:**
1. All dimensions are in millimeters.
 2. General tolerance: $\pm 0.2\text{mm}$.
 3. Material:

Base: UL94V-0 PBT Thermoplastic (Black).
 Cover: UL94V-0 PBT Thermoplastic (Black/Red/Blue).
 Actuators: UL94V-0 PA66 Thermoplastic (White).
 Contact plating: Gold plating over nickel.
 Pitting material: Epoxy.

4. Electrical

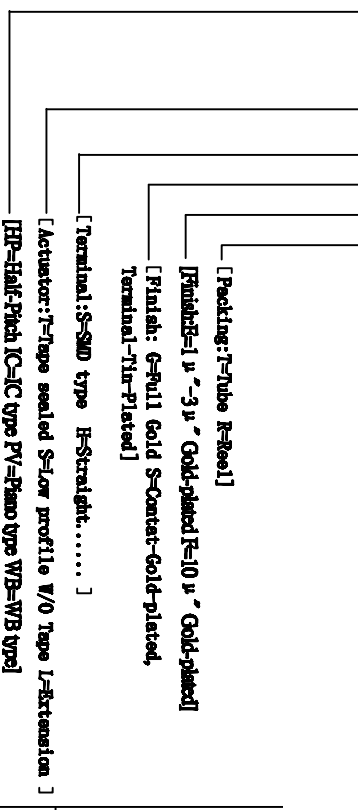
Electrical: 2000 Operations per switch 24/VDC, 25mA.
 Non-Switching Rating: 100mA, 50/VDC.
 Switching Rating: 25mA, 24/VDC
 Contact Resistance: 100 mΩ Max. at initial.

5. Mechanical

Mechanical life: 2000 Operations per switch.
 Stroke: 2.0mm.
 Operation Temp: -20°C to 70°C.
 Storage Temp: -40°C to 85°C.

6. PART NUMBER DESCRIPTION:

DS DA XX L H G E I



TOLERANCE UNLESS OTHERWISE SPECIFIED		INSPECTION	
LINE	ANGLES	CHK	PROJECTION
0 ± 0.40	0 ± 1°		
.00 ± 0.30	.0 ± 0.5°		
.000 ± 0.20	.00 ±		
DRAWING	DATE	DESIGNER	DATE
FILE NO.	SCALE	PRODUCT FAMILY	PRODUCT SERIES
SIZE	UNIT	PRODUCT PART NO.	FILE NO.
MM	MM	DSDA05LHGET	DSDA05LHGET-1
FT	INCH		
10F-1	10F-1		
A	A		

东莞市广普实业有限公司
 Dongguan Kingtek Industrial Co., Ltd.

单击下面可查看定价，库存，交付和生命周期等信息

[>>KINGTEK\(广督\)](#)