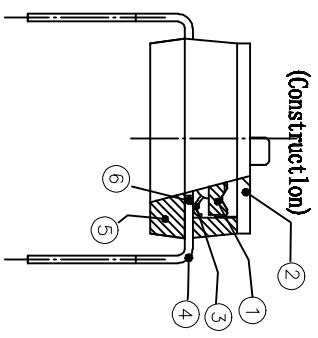
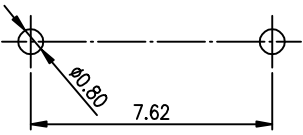
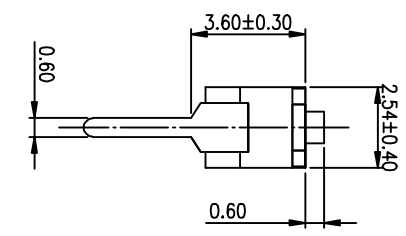
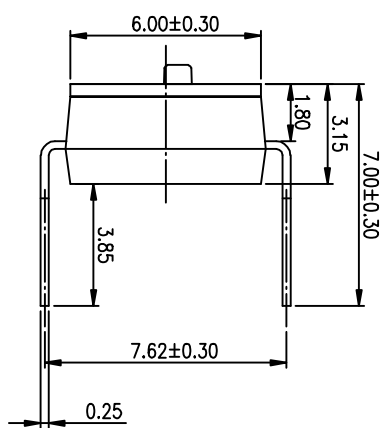
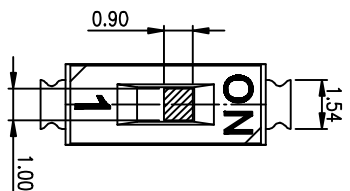


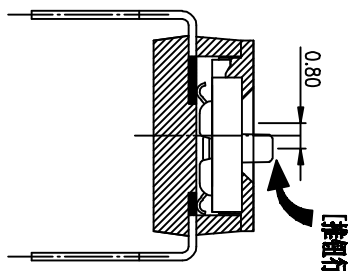
PRODUCT NO.	DISC01LHGET
RoHS compliant	



**RECOMMENDED P.C.B. LAYOUT (TOP VIEW)**

Number	Part Name	Material	Finished
①	Actuator	UL94 V0	White
②	Cover	UL94 V0	Black
③	Movable	Copper Alloy	3u"Gold
④	Terminal	Brass	1u"Gold
⑤	Base	UL94 V0	Black
⑥	Terminal Contact	Brass	3u"Gold

TOLERANCE UNLESS OTHERWISE SPECIFIED		INSPECTION	
LINER	ANGLES	COPY	PROJECTION
0 ± 0.25	0 ± 2'		
.00 ± 0.15	.0 ± 1'		
.000± 0.10	.00± 0.5'		
DESIGN	kathy	2012/04/12	
DRAWING			
CHECK			
APPRO.			



- NOTES :
- 1> Specification:
    - 1> Operating force: 1000gf Max
    - 2> Operating Temperature: -40° to +85°
    - 3> Storage Temperature: -40° to +85°
    - 4> Mechanical Life: 3000cycles minimum
    - 5> Electrical Life: 2000cycles 25mA 24VDC
  2. PLATING:
    - GOLD FLASH 1u"(min.) SOLDER TAIL,
    - 3u" GOLD PLATING ON THE CONTACT AREA,
    - WITH 50u" NICKEL UNDERPLATING OVERALL.

3. PART NUMBER DESCRIPTION

- DISC XX L H G E T
- [包装方式: T=管装 R=盒装]
  - [电镀层: B=镀镍3u" G=镀镍3u" / 厚镀镍1-2u"]
  - [G=鍍金 S=內金少槽]
  - [脚型: S脚 / J脚 / 圆脚 / A脚 / Z脚]
  - [T=低接触度 S=低接触度 L=长推]
  - [产品规格: 01=1P 02=2P 03=3P ..... 12=12P]

单击下面可查看定价，库存，交付和生命周期等信息

[>>KINGTEK\(广督\)](#)