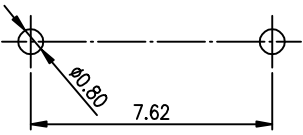
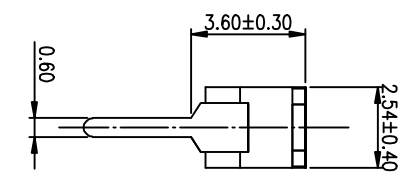
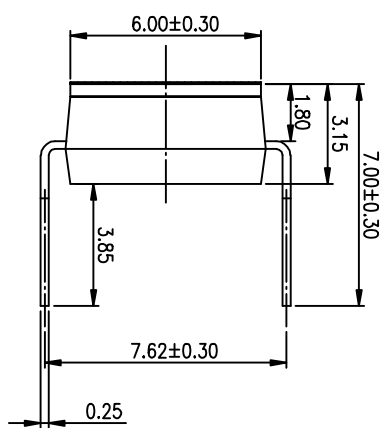
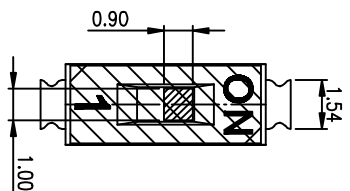
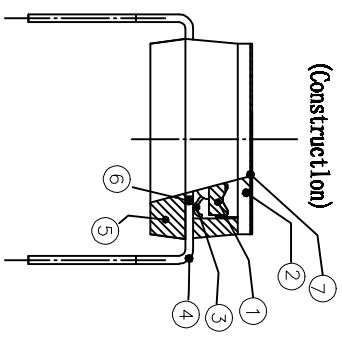


PRODUCT NO.	DISC01THGET
RoHS compliant	



(Construction)



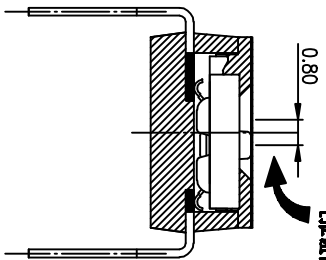
- NOTES :
1. Specification:
- 1> Operating force: 1000gf Max
 - 2> Operating Temperature: -40° to +85°
 - 3> Storage Temperature: -40° to +85°
 - 4> Mechanical Life: 3000cycles minimum
 - 5> Electrical Life: 2000cycles 25mA 24VDC
2. PLATING:
- GOLD FLASH 1u"(min.) SOLDER TAIL,
3u" GOLD PLATING ON THE CONTACT AREA,
WITH 50u" NICKEL UNDERPLATING OVERALL.

3. PART NUMBER DESCRIPTION

- DISC XX I H G E T
- [包装方式: T=管装 R=盒装]
 - [电镀层: B=镀锡3u" G=镀镍3u" / 厚镀层: 2u"]
 - [G=鍍金 S=內金外鍍]
 - [脚型: S脚 / J脚 / 0脚 / A脚 / Z脚]
 - [T=低接触度 S=低接触度 L=长推]
 - [产品规格: 01=1P 02=2P 03=3P 12=12P]

[Schematic]

[推进行程]



RECOMMENDED P.C.B. LAYOUT (TOP VIEW)

Number	Part Name	Material	Finished
①	Actuator	UL94 V0	White
②	Cover	UL94 V0	Black
③	Movable	Copper Alloy	3u"Gold
④	Terminal	Brass	1u"Gold
⑤	Base	UL94 V0	Black
⑥	Terminal Contact	Brass	3u"Gold
⑦	Mylar	UL94 V0	0.05mm

TOLERANCE UNLESS OTHERWISE SPECIFIED		INSPECTION COPY	
LINER	ANGLES	PROJECTION	
0 ± 0.25	0. ± 2'		
.00 ± 0.15	.0 ± 1'		
.000 ± 0.10	.00 ± 0.5'		
DESIGN	kathy	2012/04/12	
DRAWING			
CHECK			
APPRO.			
FILE NO.	DISC01THGET-A	SIZE	UNIT SCALE
A4	mm	2 : 1	10F-1

东莞市皇家实业有限公司
Dongguan Kingtek Industrial Co., Ltd.

BY DISC SERIES PITCH 2.54mm

PRODUCT FAMILY DISC SERIES

PRAT NO. DISC01THGET

REV.	ECN NO.	DR.	DATE

单击下面可查看定价，库存，交付和生命周期等信息

[>>KINGTEK\(广督\)](#)