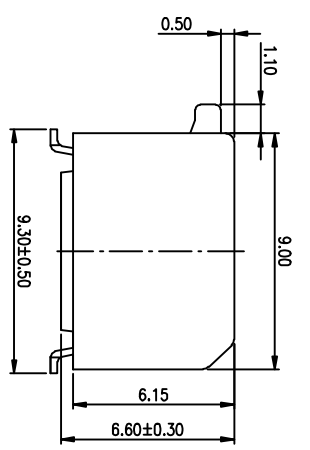
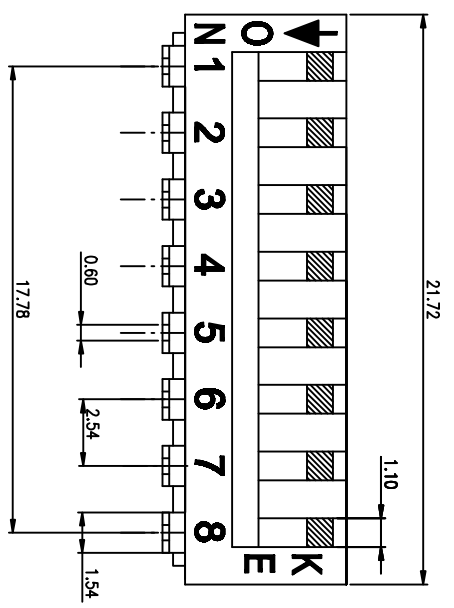


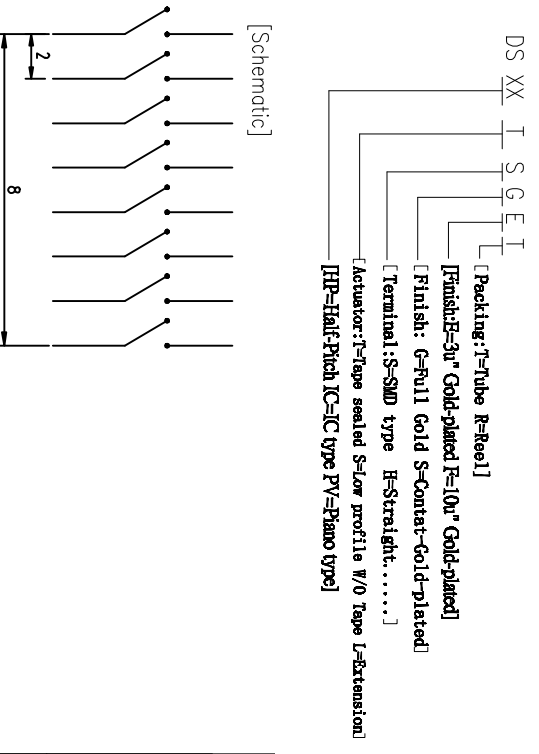
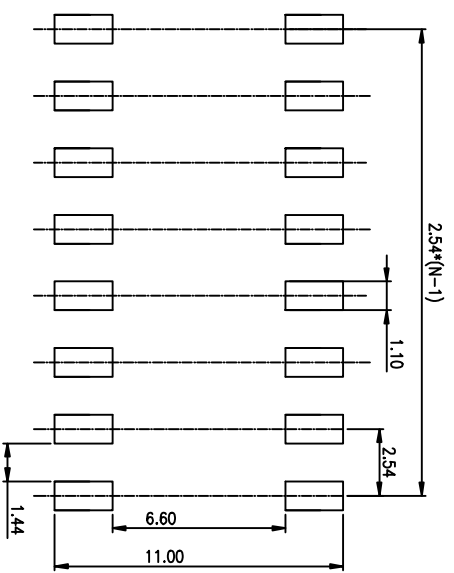
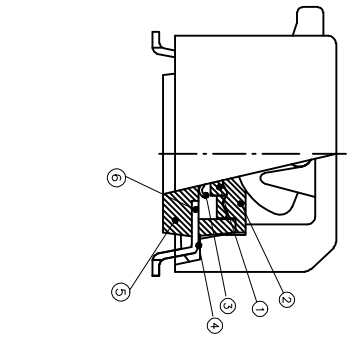
PRODUCT NO. DSPV081SGE1
RoHS compliant

NOTES : 1 Specification:
1>.Operating force:10000gf Max
2>.Operating Temperature: -40° to+85°
3>.Storage Temperature: -40° to+85°
4>.Mechanical Life:3000cycles minimum
5>Electrical Life:2000cycles minimum

REV.	ECN NO.	DR	DATE



- CONTACT RATING:
1. SWITCHING: 25mA at 24VDC
2. NON-SWITCHING: 100mA at 50VDC
WITH 50u" NICKEL UNDERPLATINGOVERALL.
- PART NUMBER DESCRIPTION :
- CONTACT RATING:
1. SWITCHING: 25mA at 24VDC
2. NON-SWITCHING: 100mA at 50VDC
WITH 50u" NICKEL UNDERPLATINGOVERALL.

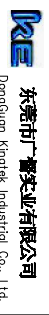


DS XX I S G E T
 [Packing: T=Tube R=Reel]
 [Finish: F=3u" Gold-plated F=10u" Gold-plated]
 [Finish: G=Full Gold S=Contact-Gold-plated]
 [Terminal: S=SMD type B=Strait:.....]
 [Actuator: T=Tape sealed S=Low profile W/O Tape L=Extension]
 [HP=Half Pitch IC=IC type PV=Plano type]

Number	Part Name	Material	Finished
①	Actuator	UL94 V0	White
②	Cover	UL94 V0	Black
③	Movable	Copper Alloy	3u" Gold
④	Terminal	Brass	1u" Gold
⑤	Base	UL94 V0	Black
⑥	Terminal Contact	Brass	3u" Gold

TOLERANCE UNLESS OTHERWISE SPECIFIED	ANGLES	PROJECTION
0 ± 0.25	0 ± 2°	COPY
.00 ± 0.15	.0 ± 1°	INSPECTION
.000 ± 0.10	.00 ± 0.5°	APPRO.

FILE NO.	DSPV081SGE1-A
SIZE	A4
UNIT	mm
SCALE	1:1
SHEET	1 OF 1
REV.	A



BY DSPV SERIES PITCH 2.54mm
PRODUCT FAMILY DSPV SERIES
PRAT NO. DSPV081SGE1

单击下面可查看定价，库存，交付和生命周期等信息

[>>KINGTEK\(广督\)](#)