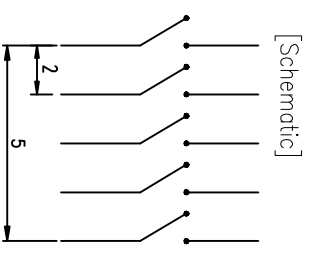
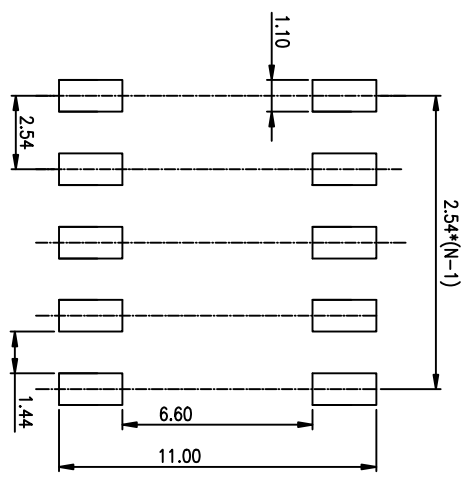
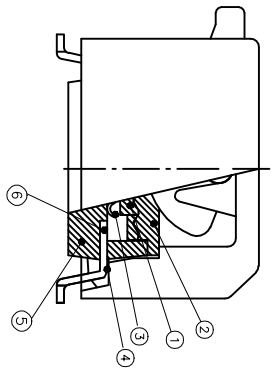
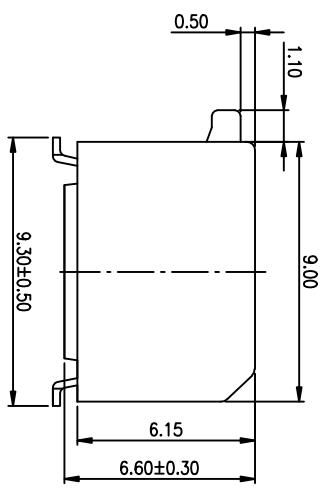
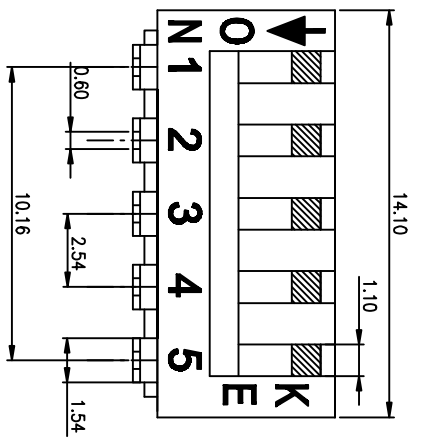


PRODUCT NO.	DSPV05LSGET
RoHS compliant	



4. PART NUMBER DESCRIPTION :

DS XX I S G E T

[Packing: T=Tube R=Reel]

[Finish: F=3u" Gold-plated F=10u" Gold-plated]

[Finish: G=Full Gold S=Contact-Gold-plated]

[Terminal: S=SMD type B=Strait.....]

[Actuator: T=Tape sealed S=Low profile W/O Tape L=Extension]

[HP=Half Pitch IC=IC type PV=Plano type]

- NOTES : 1 Specification:
- 1>. Operating force: 10000gf Max
 - 2>. Operating Temperature: -40° to+85°
 - 3>. Storage Temperature: -40° to+85°
 - 4>. Mechanical Life: 3000cycles minimum
 - 5>. Electrical Life: 2000cycles minimum
2. PLATING:
- GOLD FLASH 1u"(min.) SOLDER TALL,
3u" GOLD PLATING ON THE CONTACT AREA,
WITH 50u" NICKEL UNDERPLATING OVERALL.
3. CONTACT RATING:
1. SWITCHING: 25mA at 24VDC
 2. NON-SWITCHING: 100mA at 50VDC
- WITH 50u" NICKEL UNDERPLATING OVERALL.

1	2	3	4	5
PRODUCT NO.	DSPV05LSGET	RoHS compliant		

Number	Part Name	Material	Finished
①	Actuator	UL94 V0	White
②	Cover	UL94 V0	Black
③	Movable	Copper Alloy	3u" Gold
④	Terminal	Brass	1u" Gold
⑤	Base	UL94 V0	Black
⑥	Terminal Contact	Brass	3u" Gold

TOLERANCE UNLESS OTHERWISE SPECIFIED		INSPECTION COPY	
LINER	ANGLES	PROJECTION	COPY
0 ± 0.25	0 ± 2'	03/20/12'	
.00 ± 0.15	.0 ± 1'		
.000 ± 0.10	.00 ± 0.5'		
DESIGN	kathy		
DRAWING			
CHECK			
APPRO.			

BY DSPV SERIES PITCH 2.54mm PRODUCT FAMILY DSPV SERIES PRAT NO. DSPV05LSGET	
FILE NO.	DSPV05LSGET-A
SIZE	UNIT SCALE SHEET REV.
A4	mm 2 : 1 TOP 1 A

单击下面可查看定价，库存，交付和生命周期等信息

[>>KINGTEK\(广督\)](#)