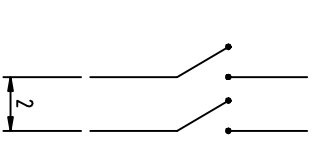
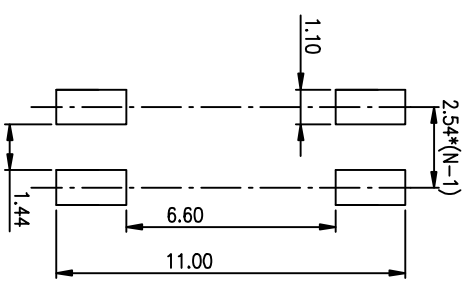
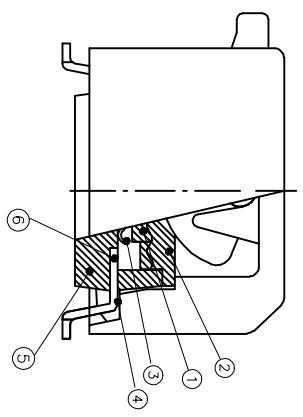
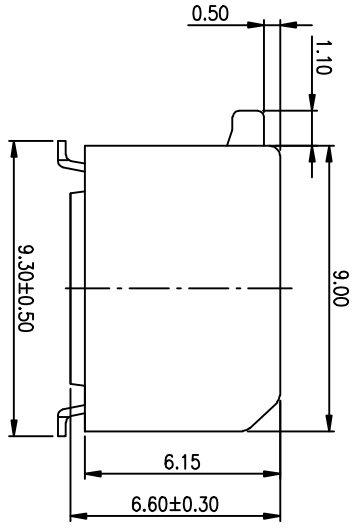
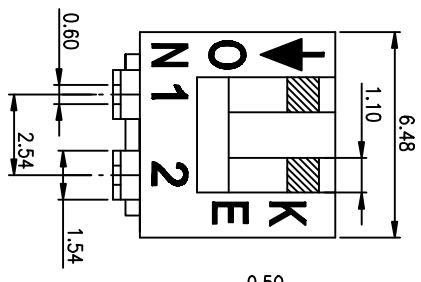


PRODUCT NO. DSPV02LSGET
RoHS compliant

1 2 3 4

NOTES : 1 Specification:
1>.Operating force:10000gf Max
2>.Operating Temperature: -40° to+85°
3>.Storage Temperature: -40° to+85°
4>.Mechanical Life:3000cycles minimum
5>Electrical Life:2000cycles minimum

REV.	ECN NO.	DR	DATE



4. PART NUMBER DESCRIPTION :
- CONTACT RATING:
1.SWITCHING:25mA at 24VDC
2.NON-SWITCHING:100mA at 50VDC
WITH 50u" NICKEL UNDERPLATINGOVERALL.
 - PLATING:
GOLD FLASH 1u"(min.) SOLDER TALL,
3u" GOLD PLATING ON THE CONTACT AREA,
WITH 50u" NICKEL UNDERPLATINGOVERALL.

DS XX T S G E T
[Packing:T=Tube R=Reel]
[Finish:E=3u" Gold-plated F=10u" Gold-plated]
[Finish:G=Full Gold S=Contact-Gold-plated]
[Terminal:S=SMD type H=Straight.....]
[Actuator:T=Tape sealed S=Low profile W/O Tape L=Extension]
[HP=Half-Pitch IC=IC type PV=Plano type]

RECOMMENDED P.C.B. LAYOUT (TOP VIEW)

Number	Part Name	Material	Finished
①	Actuator	UL94 V0	White
②	Cover	UL94 V0	Black
③	Movable	Copper Alloy	3u" Gold
④	Terminal	Brass	1u" Gold
⑤	Base	UL94 V0	Black
⑥	Terminal Contact	Brass	3u" Gold

TOLERANCE UNLESS OTHERWISE SPECIFIED	ANGLES	PROJECTION
0 ± 0.25	0 ± 2'	
.00 ± 0.15	.0 ± 1'	
.000± 0.10	.00± 0.5'	03/20/12'

DESIGN	APPRO.	FILE NO.	UNIT	SCALE	SHEET	REV.
DRAWING		DSPV02LSGET-A	mm	2 : 1	TOP-1	A



东莞市 Kingtek 实业有限公司
Dongguan Kingtek Industrial Co., Ltd.

BY DSPV SERIES PITCH 2.54mm
PRODUCT FAMILY DSPV SERIES
PRAT NO. DSPV02LSGET

1 2 3 4 5 6

1 2 3 4 5 6

1 2 3 4 5 6

单击下面可查看定价，库存，交付和生命周期等信息

[>>KINGTEK\(广督\)](#)