

## Features

- Can be used as substitution of rechargeable batteries and ideal for RTC back-up purposes
- **Eco-friendly**  
: RoHS compliant
- **Pb-free Reflowable**  
: Pb-free reflow soldering available (260°C peak)
- **High Operational Voltage**  
: Able to be used at wide voltage range from 0V to 3.3V
- **Various Terminal Types**



SM 3R3 703



SM 3R3 333

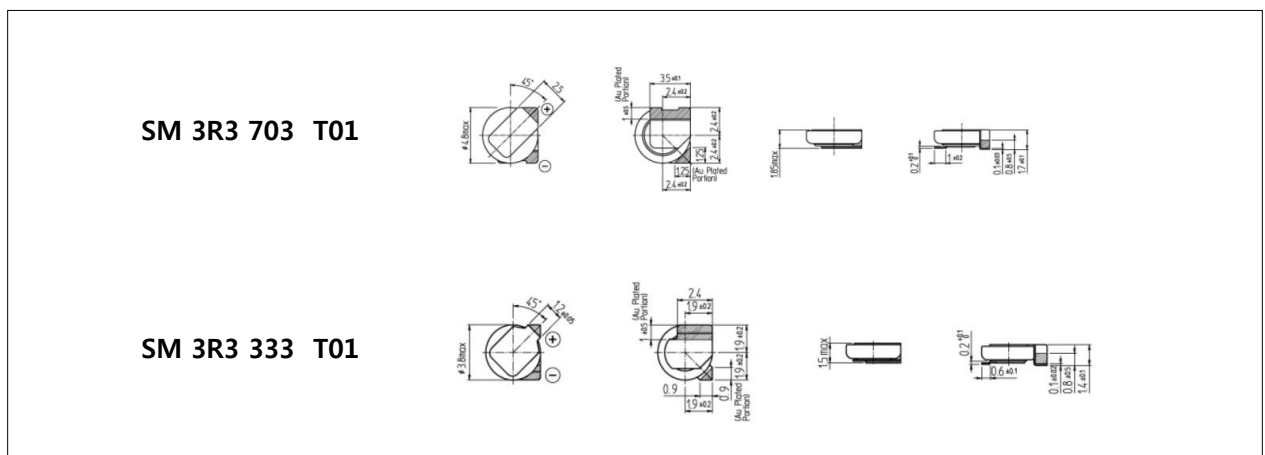
## Applications

- RTC(Real Time Clock) back-up for Mobile Phones, Digital Cameras, PMP, Pagers, etc.

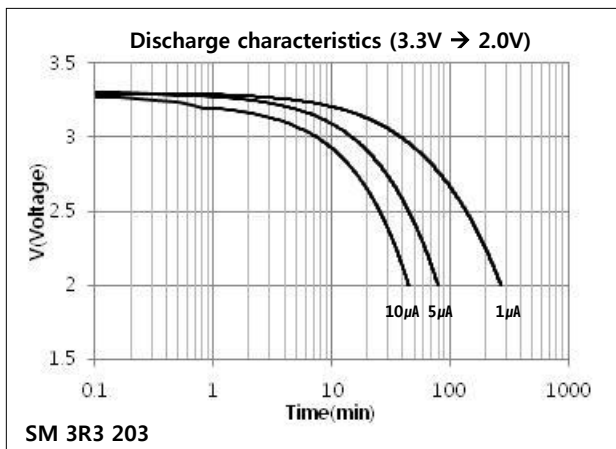
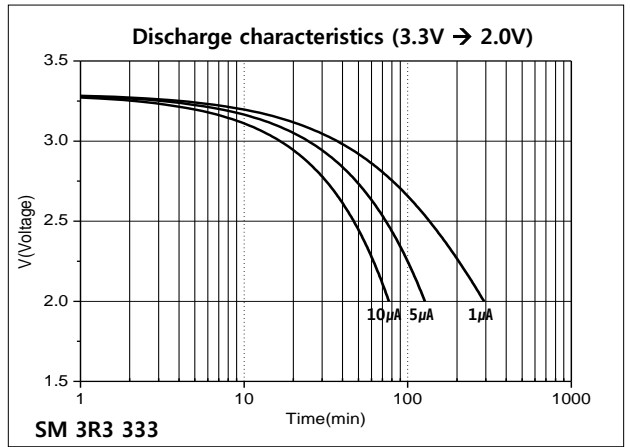
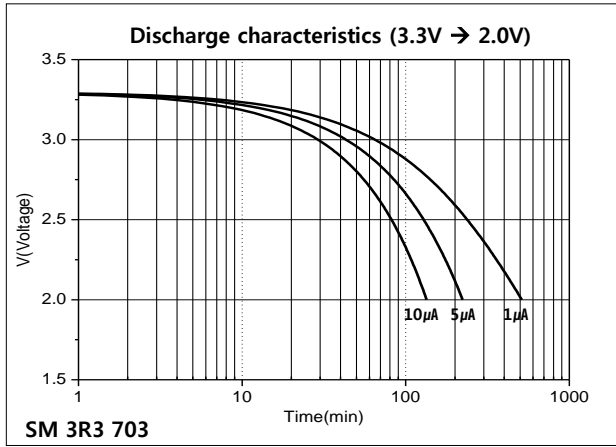
## Nominal Specifications

Part No.	SM 3R3 703	SM 3R3 333
Cell Size	Ø4.8 × 1.4mm	Ø3.8 × 1.1mm
Operating Temp.	-10 ~ +60 °C	
Rated Voltage	3.3Vdc	
Capacitance	0.07F	0.033F
Discharge Capacity	25.3 uAh (3.3V-2.0V)	11.9 uAh (3.3V-2.0V)
Capacitance Tolerance	-20 ~ 80 %	
ESR (at 1KHz)	LESS THAN 100Ω	LESS THAN 300Ω
Leakage Current	LESS THAN 100μA	LESS THAN 100μA
Endurance	After 500hours application of rated DC working voltage at +60°C, the capacitor shall meet the following limits.	
Capacitance change	±50% of the initial value	
Internal resistance	2,000Ω or less	4,000Ω or less
Shelf Life	After 500hours storage at +60°C without load, the capacitor shall meet the specified limit for "Endurance"	

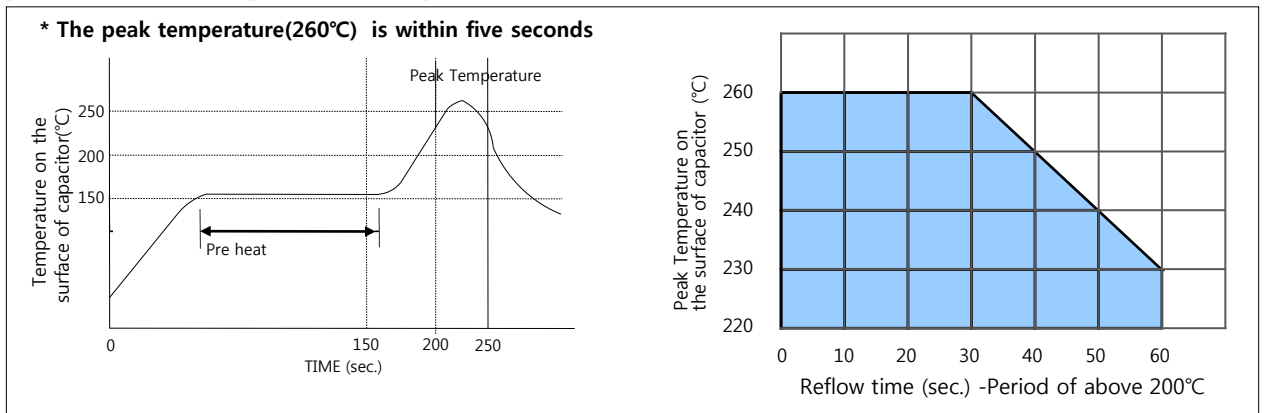
## Dimensions in mm(not to scale)



**| Discharge Characteristics |**



**| Reflow Soldering Condition |**



单击下面可查看定价，库存，交付和生命周期等信息

[>>Korchip\(高奇普\)](#)