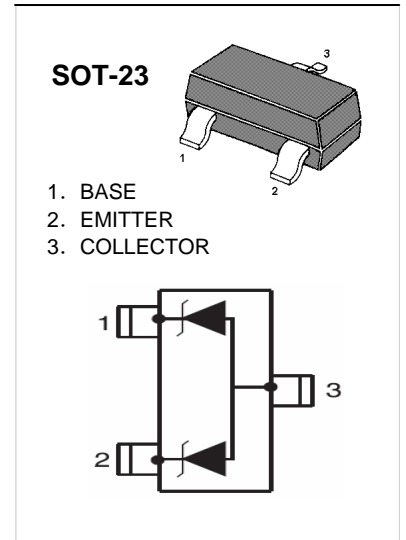


## Features

- SOT-23 Package
- 2 Unidirectional Transil functions
- Peak Power Dissipation 300W @8 x 20 us Pulse
- Low Leakage
- Fast Response Time < 1 ns
- Protects I/O Port
- ESD Protection to IEC 61000-4-2 Level 4,15KV(Air), 8KV(Contact)
- 16KV Human Body Model ESD Requirements
- RoHS Compliant in Lead-Free Versions

## Applications

- Computers
- Printers
- Communication Systems

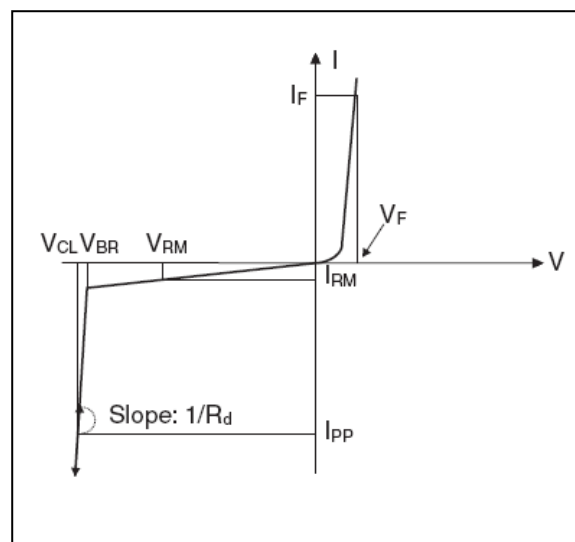


## Absolute Maximum Ratings

Symbol	Parameter	Value	Units
$P_{PP}$	Peak Pulse Power ( $t_p = 8/20\mu s$ )	300	W
$T_L$	Maximum lead temperature for soldering during 10s	260	$^{\circ}C$
$T_{stg}$	Storage Temperature Range	-55 to +15	$^{\circ}C$
$T_{op}$	Operating Temperature Range	-40 to +125	$^{\circ}C$
$T_j$	Maximum junction temperature	150	$^{\circ}C$
$V_{PP}$	Electrostatic discharge		
	MIL STD 883C -Method 3015-6	25	kv
	IEC61000-4-2 air discharge	16	
IEC61000-4-2 contact discharge	9		

## Electrical Characteristics

Symbol	Parameter
$V_{RM}$	Stand-off voltage
$V_{BR}$	Breakdown voltage
$V_{CL}$	Clamping voltage
$I_{RM}$	Leakage current
$I_{PP}$	Peak pulse current
$\alpha T$	Voltage temperature coefficient
$V_F$	Forward voltage drop
C	Capacitance
$R_d$	Dynamic resistance

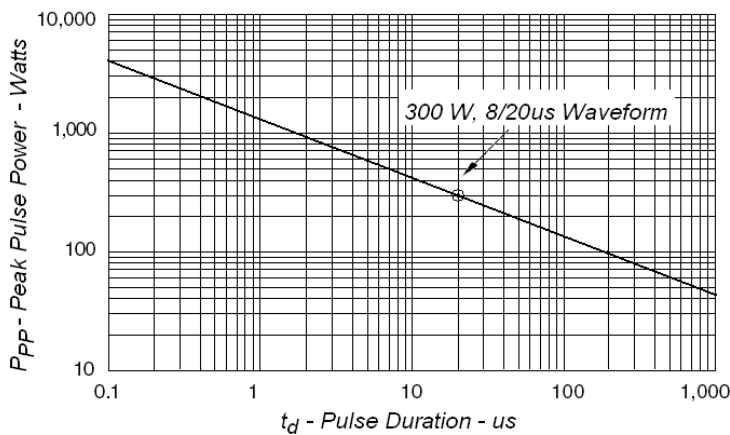


## Electrical Characteristics Ratings at 25°C ambient temperature unless otherwise specified.

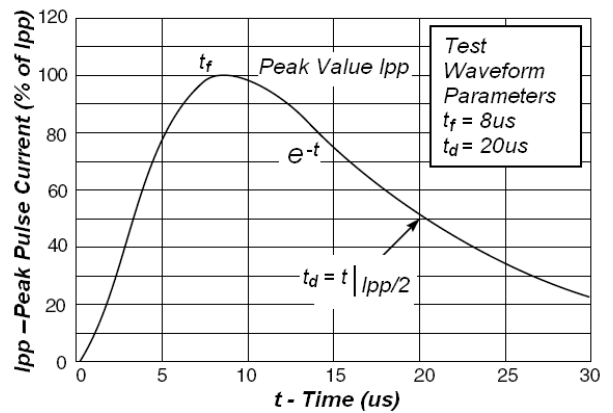
Part Numbers	Marking	Rated Stand-off Voltage	Maximum Leakage Current	Minimum Breakdown Voltage	Maximum Clamping Voltage		Maximum Pulse Peak Current	Maximum Capacitance
			@ $V_{RM}$	1mA	1A <sup>1)</sup>	5A <sup>1)</sup>	$t_p=8/20\mu s$	0v, 1MHz
		$V_{RM}$	$I_{RM}$	$V_{BR}$	$V_{CL}$		$I_{PPM}$	C
		V	$\mu A$	V	V	V	A	pF
KPESD4V0L2UT	04C	4.0	3.0	5.0	8.5	10.5	17	300
KPESD5V0L2UT	05C	5.0	1.0	6.0	9.8	12.5	17	220
KPESD8V0L2UT	08C	8.0	1.0	8.5	13.4	15.0	15	190
KPESD12VL2UT	12C	12.0	1.0	13.3	19.0	28.0	12	150
KPESD15VL2UT	15C	15.0	1.0	16.7	24.0	35.0	10	140
KPESD24VL2UT	24C	24.0	1.0	26.7	43.0	60.0	5	83
KPESD36VL2UT	36C	36.0	1.0	40	60.0	75.0	2	80

1).8/20 waveform used. (see fig2.)

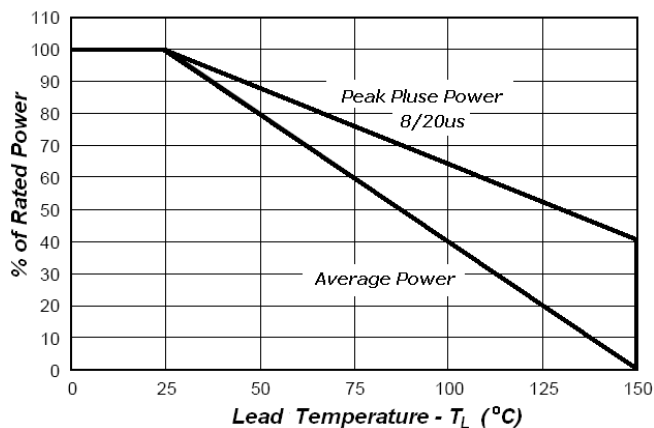
## Typical Characteristics



**Fig1. Peak Pulse Power VS Pulse Time**



**Fig2. Pulse Waveform**

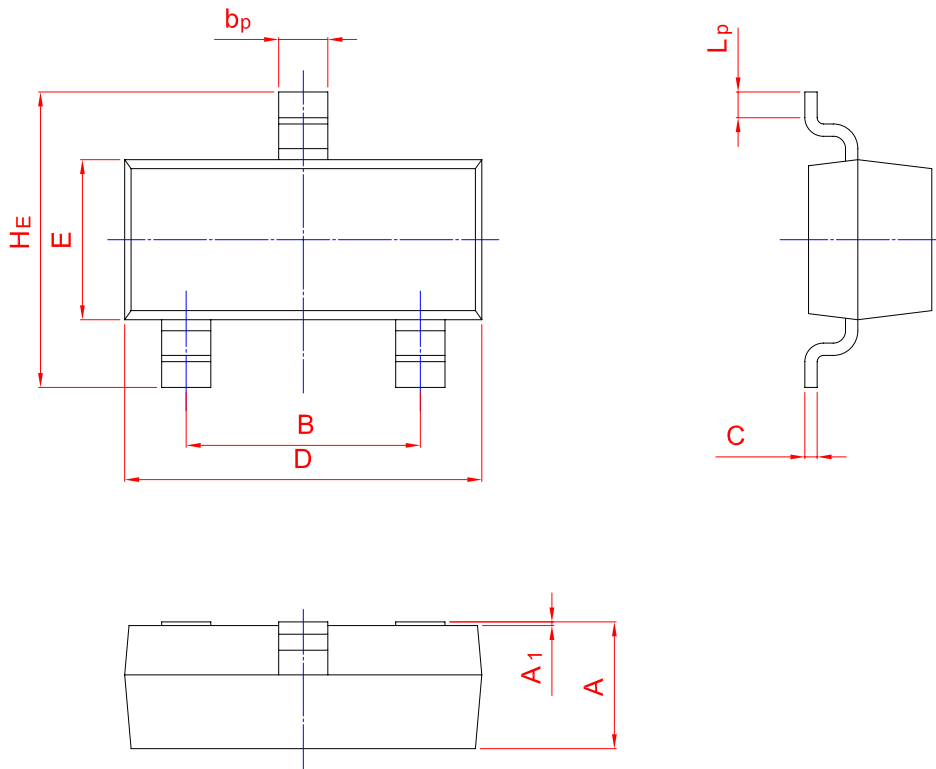
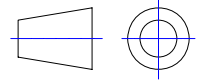


**Fig3. Power Derating**

**PACKAGE OUTLINE**

Plastic surface mounted package; 3 leads

SOT-23



UNIT	A	B	$b_p$	C	D	E	$H_E$	$A_1$	$L_p$
mm	1.40	2.04	0.50	0.19	3.10	1.65	3.00	0.100	0.50
	0.95	1.78	0.35	0.08	2.70	1.20	2.20	0.013	0.20

单击下面可查看定价，库存，交付和生命周期等信息

[>>KUU\(永裕泰\)](#)