

# PBRC -B, -D Series Chip Resonators

## Built-in Capacitor MHz Band SMT Resonators

$f_o$ : 2.00 to 36.00 MHz

### FEATURES

- 1) Built-in load capacitor
- 2) High reliability chip resonator in a ceramic case which can be reflow soldered and washed
- 3) Ultra-miniature size is suitable for compact equipment and high mounting density
- 4) Rectangular shape allows easy "pick and place" operation
- 5) 2000 pcs. per reel
- 6) Sold in increments of 2000 pcs.

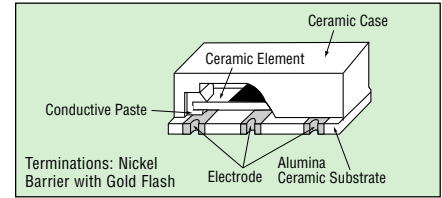
### HOW TO ORDER

**PBRC - 4.00 B R**

- ① Type: (Piezo Bulk Resonator Chip)
- ② Oscillation frequency (MHz)
- ③ Resonator type:  
B = With capacitor (2.00~20.00MHz)  
D = With capacitor (20.01~36.00MHz)
- ④ Packaging:  
R = Tape and reel
- ⑤ Frequency tolerance:  
□ = ±0.5% (2.00~8.00MHz)  
07 = ±0.7% (8.01~20.00MHz)  
□ = ±0.5% (20.01~36.00MHz)



### STRUCTURE



### SPECIFICATIONS (PBRC-□B/PBRC-□D)

| Series Type                                | B  |                                    | D                                      |
|--|--|------------------------------------|--|
| Frequency Range                            | 2.00 to 8.00 MHz                             |                                    | 8.01 to 20.00 MHz                      |
| Load Capacitor                             | 33 pF (typ.)                                 |                                    | 10 pF (typ.)                           |
| Frequency Tolerance                        | ±0.5%  |                                    | ±0.7%                                  |
| Resonant Impedance                         | 2.00-2.90MHz<br>3.00-3.57MHz<br>3.58-8.00MHz | 200Ω max.<br>100Ω max.<br>30Ω max. | 150 Ω Max.<br>150 Ω Max.<br>150 Ω Max. |
| Temperature Characteristics (-20 to +80°C) | ±0.3%  |                                    | ±0.1%                                  |

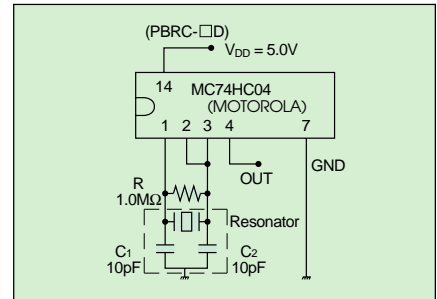
### RECOMMENDED LAND PATTERN FOR PBRC-□B/D



### STANDARD TEST CIRCUIT 2.00 ~ 8.00 MHz



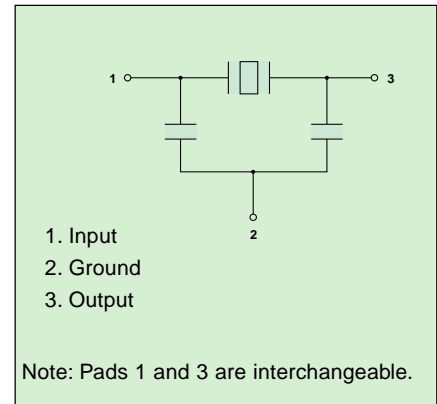
### STANDARD TEST CIRCUIT 8.01 ~ 36.00 MHz



### DIMENSIONS



### PAD CONNECTION



# Tape & Reel Packaging

## Surface Mountable Chip Resonators PBRC -A, -B, -D Types

2000 pieces per reel with 10 positions open at beginning and end of reel. Leader will be 200mm maximum.

### TAPE DIMENSIONS

| A    | B    | D    | E    | F    | G    | H    | J    | φK   | M      | R      | W    | T    | φL    |
|------|------|------|------|------|------|------|------|------|--------|--------|------|------|-------|
| ±0.2 | ±0.2 | ±0.3 | ±0.1 | ±0.1 | ±0.1 | ±0.1 | ±0.1 | ±0.1 |        |        | ±0.2 | ±0.1 | ±0.05 |
| 3.8  | 7.8  | 16.0 | 7.5  | 1.75 | 8.0  | 4.0  | 2.0  | 1.5  | 10°max | 0.3max | 2.1  | 0.3  | 1.55  |



Units:mm

### REEL DIMENSIONS

| A    | B    | C    | D    | E    | R    | W    | T    |
|------|------|------|------|------|------|------|------|
| 255  | 80   | 13   | 25   | 2    | 1.0R | 17.5 | 2    |
| ±1.0 | ±0.5 | ±0.5 | ±0.8 | ±0.5 |      | ±1.5 | ±0.5 |



Units:mm

### PACKING METHOD



### TEST CONDITION OF PEELING STRENGTH



### MARKING

#### Marking of Reel

- Type Name
- Lot No.
- Quantity
- Vendor Name

#### Marking of Exterior Package

- Type Name
- Lot No.
- Quantity of Reel
- Shipping Date
- Vendor Name

### REFLOW PROFILE



单击下面可查看定价，库存，交付和生命周期等信息

[>>Kyocera\(京瓷\)](#)