



## 1.6 × 1.2mm for Mobile Communications



**RoHS Compliant**  
**PSL: R4Y MSL1**

### Features

- Crystal Unit with Thermistor
- Reference frequency for telecommunication systems
- Reflow compatible
- Using ceramic package resulting in high reliability

### Applications

- Mobile Communications, GNSS

### How to Order

**CT1612RB 38400**         
 ① ② ③ ④ ⑤ ⑥ ⑦

① Series

② Frequency

③ Load Capacitance

④ Frequency Tolerance

B0	6 pF	—	F	$\pm 10 \times 10^{-6}$	Std.
C0	7 pF	—	G	$\pm 15 \times 10^{-6}$	—
D0	8 pF	Std.			

⑤ Operating Temp. Range

⑥ Frequency Temp. Stability

LH	-30 to +85° C	$\pm 12 \times 10^{-6}$ (at -30 to +85° C)
----	---------------	--

⑦ Individual Specification (STD Specification is "CC" .)

Packaging (Tape & Reel 15000 pcs./ reel)

### Specifications

Item	Symbol	Specification	Unit	Remarks
Frequency Range	f <sub>nom</sub>	38400 to 76800	kHz	
Overtone Order	OT	Fundamental	—	
Load Capacitance	CL	8	pF	Please contact us for other CL requirements.
Frequency Tolerance	f <sub>tol</sub>	$\pm 10$	$\times 10^{-6}$	25° C $\pm 3^\circ$ C
Motional Series Resistance	R1	Table 1	ohm	
Drive Level	DL	10	$\mu$ W	100 $\mu$ W max.
Operating Temp. Range	T <sub>use</sub>	-30 to +85	° C	
Storage Temp. Range	T <sub>stg</sub>	-40 to +105	° C	
Frequency Temp. Characteristics	f <sub>tem</sub>	$\pm 12$	$\times 10^{-6}$	
Thermistor Resistance	—	Table 2	ohm	25° C $\pm 3^\circ$ C
Thermistor B-Constant	—	Table 3	K	25° C to 50° C

Please contact us for other specifications.

Table 1 Motional Series Resistance

Frequency Range	Motional Series Resistance
38400 to 76800kHz	50 $\Omega$ max.

Table 2 Thermistor Resistance

Resistance	Specification
100k $\Omega$	$\pm 1\%$

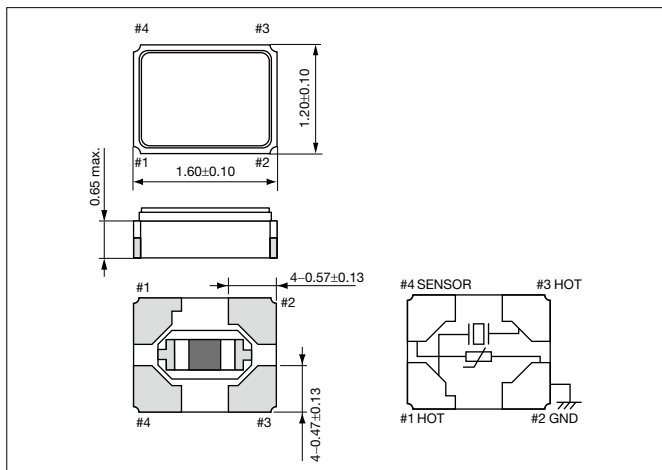
Table 3 Thermistor B-Constant

B-Constant	Specification
4250K	$\pm 1\%$

Crystal Units

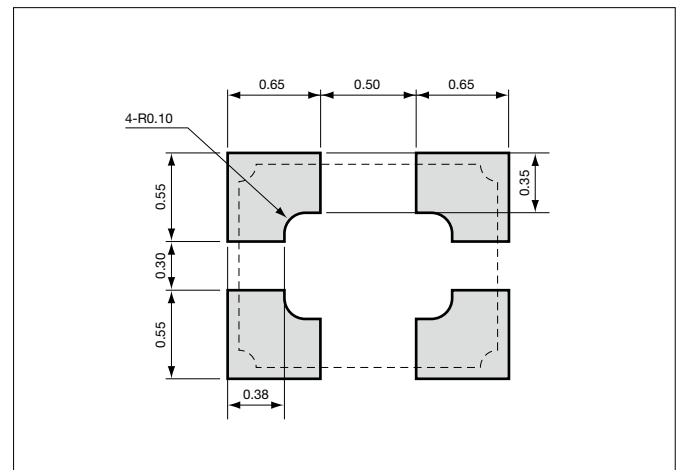
### Dimensions

(Unit: mm)



### Recommended Land Pattern

(Unit: mm)



单击下面可查看定价，库存，交付和生命周期等信息

[>>Kyocera\(京瓷\)](#)