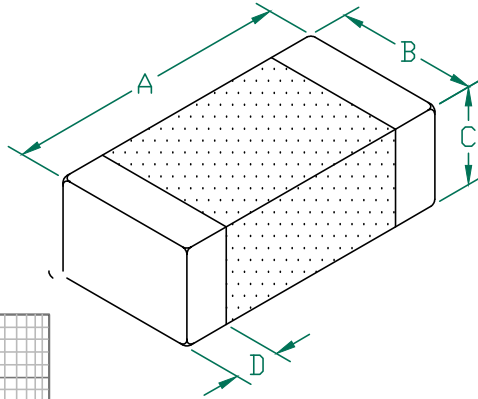


HI1206T161R-10

PHYSICAL DIMENSIONS:

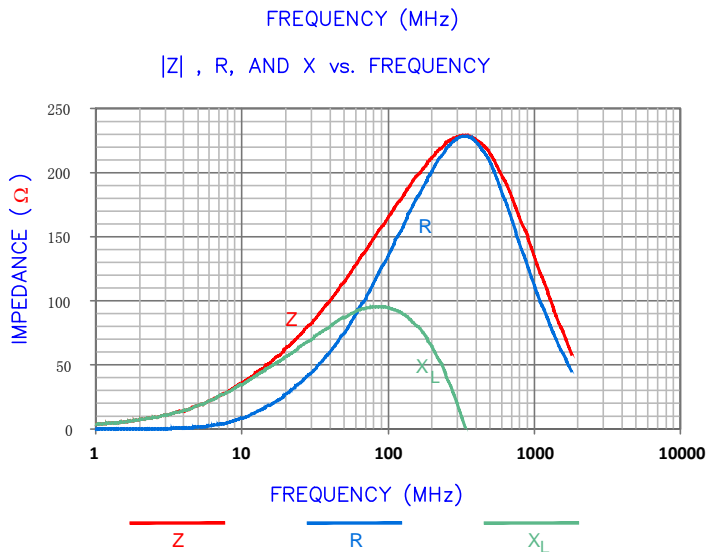
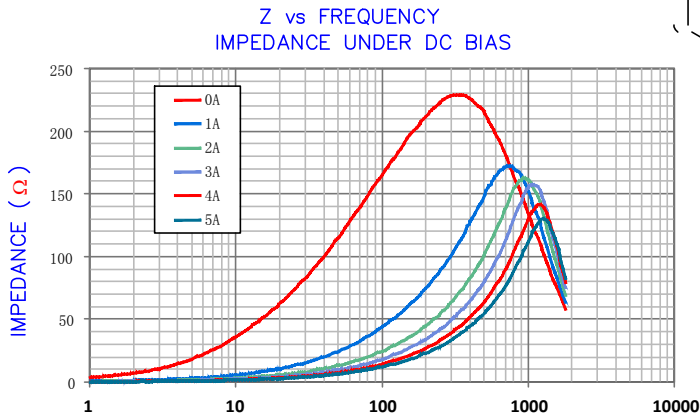
A	3.20 [.126]	+ 0.20 [.008]
B	1.60 [.063]	+ 0.20 [.008]
C	1.60 [.063]	+ 0.20 [.008]
D	0.51 [.020]	+ 0.25 [.010]



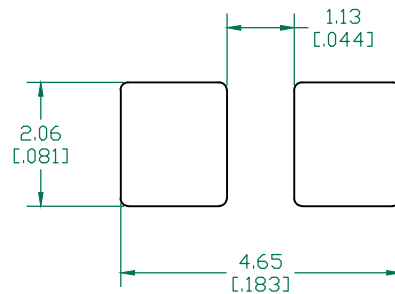
ELECTRICAL CHARACTERISTICS:

Z @ 100MHz (Ω)	DCR (Ω)	Rated Current
Nominal	160	
Minimum	120	
Maximum	208	6000 mA

- NOTES: UNLESS OTHERWISE SPECIFIED
1. TAPED AND REELED per CURRENT EIA SPECIFICATIONS 7" REELS, 2000 PCS/REEL, EMBOSSED PLASTIC TAPE.
 2. COMPONENTS SHOULD BE ADEQUATELY PREHEATED BEFORE SOLDERING.
 3. TERMINATION FINISH IS 100% TIN.
 4. OPERATING TEMPERATURE TEMP: -40°C~+125°C (INCLUDING SELF-HEATING)

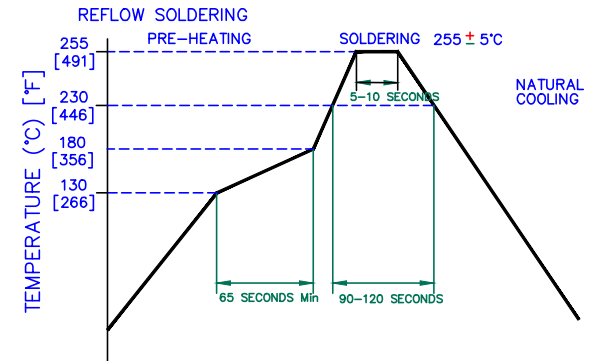


LAND PATTERNS FOR REFLOW SOLDERING



(For wave soldering, add 0.762 [0.030] to this dimension)

RECOMMENDED SOLDERING CONDITIONS



DIMENSIONS ARE IN mm [INCHES].				This print is the property of Laird Tech. and is loaned in confidence subject to return upon request and with the understanding that no copies shall be made without the written consent of Laird Tech. All rights to design or invention are reserved.		Laird		
J	UPDATE LAYOUT	06/23/16	QU	PROJECT/PART NUMBER: HI1206T161R-10		REV	PART TYPE:	DRAWN BY:
H	OPERATING TEMPERATURE UPDATE LAIRD LOGO AND REFLOW CURVE	08/05/13	QU			J	CO-FIRE	JRK
G	UPDATE CURVES AND REF NUMBER	07/08/10	JUN			DATE:	SCALE:	SHEET:
F	UPDATE COMPANY LOGO	10/09/08	TMB			01/13/04	NTS	1 of 1
E	ADD EMBOSSED PLASTIC TAPE TO NOTE 1	01/19/07	JRK			CAD #	TOOL #	
D	CHANGE C DIMENSION	01/15/07	JRK			HI1206T161R-10-J	-	
C	CHG REEL QTY ADD ROHS SYMBOL	08/28/06	JRK					
REV	DESCRIPTION	DATE	INT					

单击下面可查看定价，库存，交付和生命周期等信息

[>>Laird\(莱尔德\)](#)