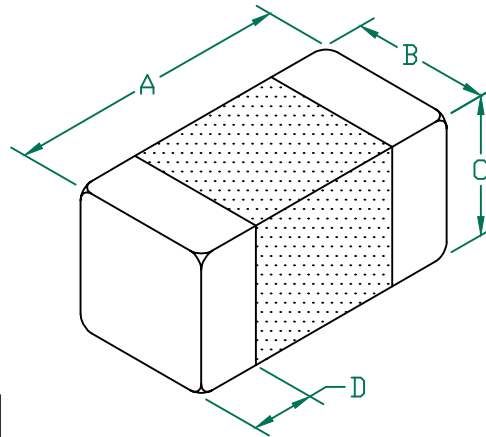


# HZ0603B102R-10

## PHYSICAL DIMENSIONS:

A	1.60 [.063]	+ 0.15	-.006	[.006]
B	0.80 [.031]	+ 0.15	-.006	[.006]
C	0.80 [.031]	+ 0.15	-.006	[.006]
D	0.36 [.014]	+ 0.15	-.006	[.006]

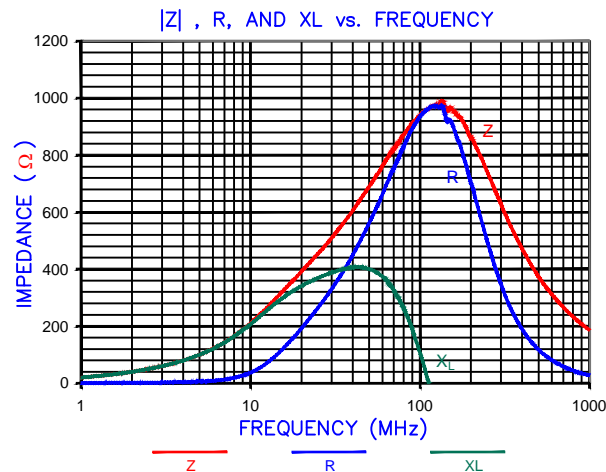
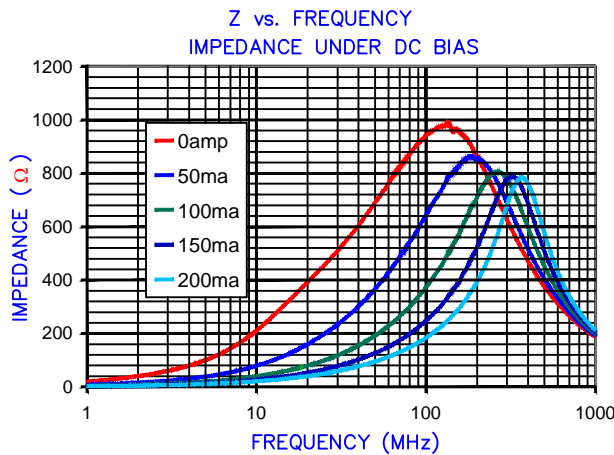


## ELECTRICAL CHARACTERISTICS:

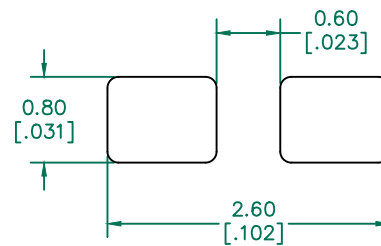
	Z @ 100MHz (Ω)	DCR (Ω)	Rated Current
Nominal	1000		
Minimum	750		
Maximum	1250	0.60	200 mA

NOTES: UNLESS OTHERWISE SPECIFIED

1. TAPED AND REELED per CURRENT EIA SPECIFICATIONS 7" REELS, 4000 PCS/REEL.
2. COMPONENTS SHOULD BE ADEQUATELY PREHEATED BEFORE SOLDERING.
3. TERMINATION FINISH IS 100% TIN.
4. OPERATING TEMPERATURE TEMP: -40°C~+125°C (INCLUDING SELF-HEATING)

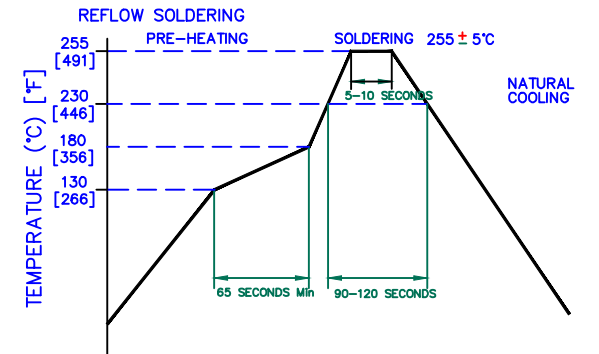


## LAND PATTERNS FOR REFLOW SOLDERING



(For wave soldering, add 0.762 [0.030] to this dimension)

## RECOMMENDED SOLDERING CONDITIONS



RoHS

DIMENSIONS ARE IN mm [INCHES]				This print is the property of Laird Tech. and is loaned in confidence subject to return upon request and with the understanding that no copies shall be made without the written consent of Laird Tech. All rights to design or invention are reserved.			
				<b>Laird</b>			
PROJECT/PART NUMBER:				REV	PART TYPE:	DRAWN BY:	
C	ADD OPERATING TEMPERATURE, NOTES UPDATE LAIRD LOGO AND REFLOW CURVE	08/05/13	QU	HZ0603B102R-10	C	CO-FIRE	JRK
B	UPDATE COMPANY LOGO ADD ROHS	02/26/08	JRK	DATE:	03/01/04	SCALE:	-
A	ORIGINAL DRAFT	03/01/04	JRK	GAD #		SHEET:	1 of 1
REV	DESCRIPTION	DATE	INT	HZ0603B102R-10-C		TOOL #	-

单击下面可查看定价，库存，交付和生命周期等信息

[>>Laird\(莱尔德\)](#)