

CM2021Y330R-10

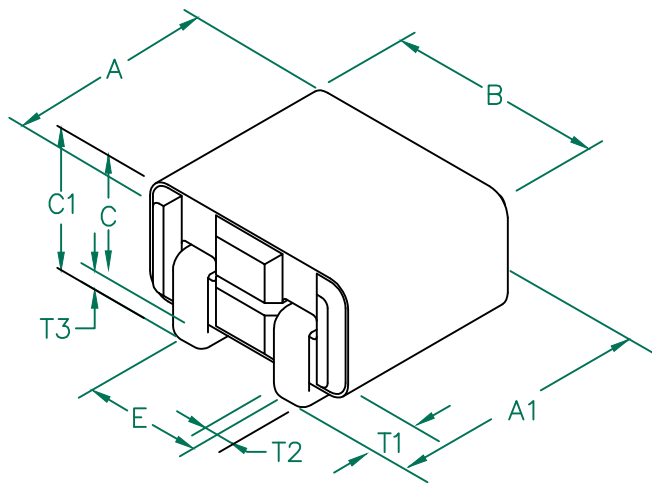
PHYSICAL DIMENSIONS:

A	5.00 [.197]	± 0.15 [.006]
A1	5.88 [.231]	MAX.
B	5.60 [.220]	± 0.10 [.004]
C	2.85 [.112]	± 0.07 [.003]
C1	3.80 [.150]	MAX
E	2.84 [.112]	± 0.10 [.004]

WIRE DIMENSIONS:

T1	1.75 [.069]	± 0.13 [.005]
T2	0.81 [.032]	REF.
T3	0.43 [.017]	REF.
T4	0.86 [.034]	MAX.

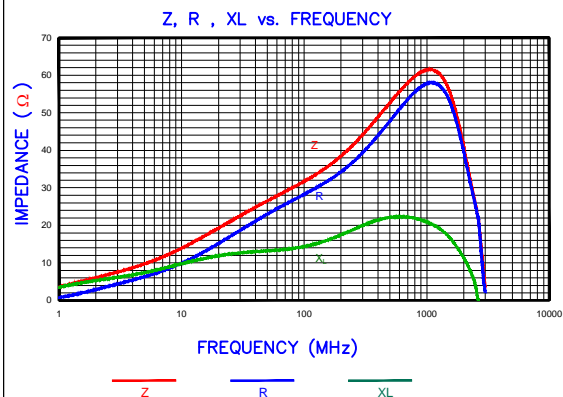
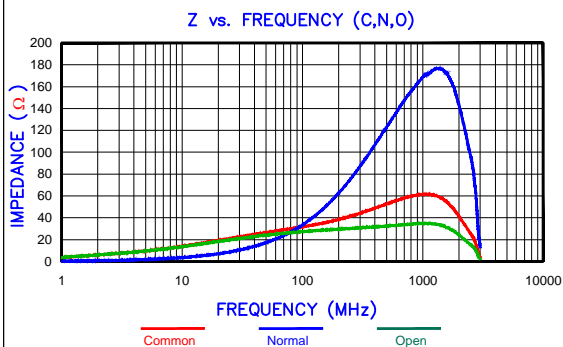
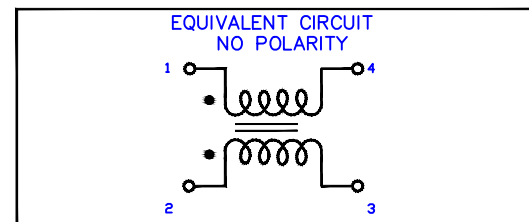
RoHS



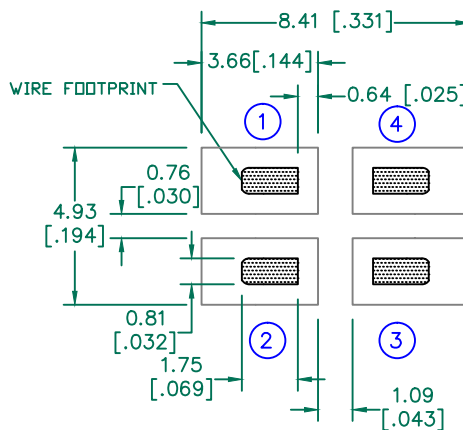
	Z in (Ω)			DCR (Ω)	Rated Current (Continuous)	Rated Voltage (VDC)
	● 25 MHz	● 100 MHz	● 300 MHz			
Nominal (Ref.)	20	33	36			
Minimum	-	25	-			
Maximum	-	-	-	.00075	15,000 mA	280

NOTES: UNLESS OTHERWISE SPECIFIED

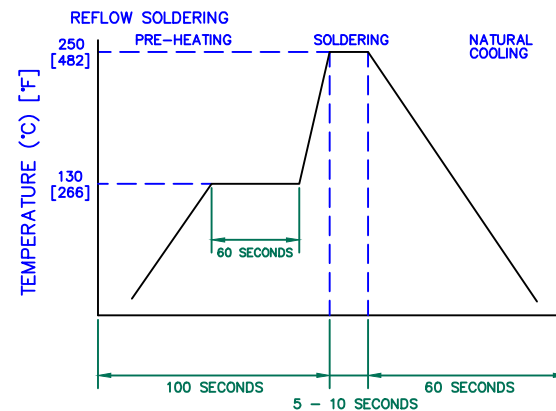
1. TAPED AND REELED per CURRENT EIA SPECIFICATIONS, 13" REELS, 2000 PCS PER REEL
2. COMPONENTS SHOULD BE ADEQUATELY PREHEATED BEFORE SOLDERING.
3. REF.CARRIER TAPE SPECIFICATION – CART2021-1P
4. THIS PART HAS NO PIN POLARITY.
5. TERMINATION FINISH IS 100% TIN.
6. OPERATION TEMPERATURE (INCLUDING SELF-HEATING): -40 ~ +125°C.



LAND PATTERNS FOR REFLOW SOLDERING



RECOMMENDED SOLDERING CONDITIONS



UNCONTROLLED DOCUMENT

DIMENSIONS ARE IN mm [INCHES].				This print is the property of Laird Tech. and is loaned in confidence subject to return upon request and with the understanding that no copies shall be made without the written consent of Laird Tech. All rights to design or invention are reserved.			
J	CHANGE NOTE 1 & 3	12/11/14	QIU				
H	ADD RATED VOLTAGE AND NOTE 6	06/24/13	QIU				
G	UPDATE COMPANY LOGO	04/28/09	JRK				
F	CHANGE CORE P/N ON SHEET 3	11/13/07	JRK				
E	UPDATE COMPANY LOGO	05/17/07	JRK				
D	INTERCHANGE DIMENSIONS A,B&C	03/30/06	JRK	PROJECT/PART NUMBER:	REV	PART TYPE:	DRMAN BY:
				CM2021Y330R-10	J	ASSEMBLY	JRK
REV	DESCRIPTION	DATE	INT	DATE:	SCALE:	SHEET:	
				07/27/05	7 : 1		
				CAD #	TOOL #		
				CM2021Y330R-10-J-1	H0220		1 of 2

单击下面可查看定价，库存，交付和生命周期等信息

[>>Laird\(莱尔德\)](#)