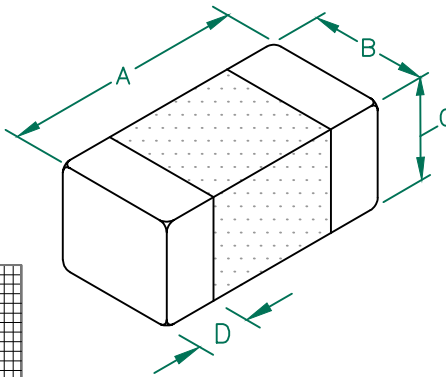


# MI0603J601R-10

## PHYSICAL DIMENSIONS:

A	1.60 [.063]	+ 0.15	[-.006]
B	0.80 [.031]	+ 0.15	[-.006]
C	0.80 [.031]	+ 0.15	[-.006]
D	0.36 [.014]	+ 0.15	[-.006]

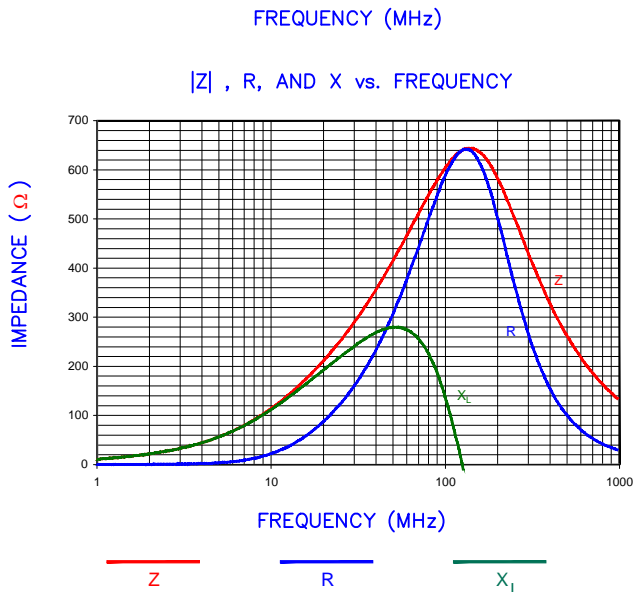
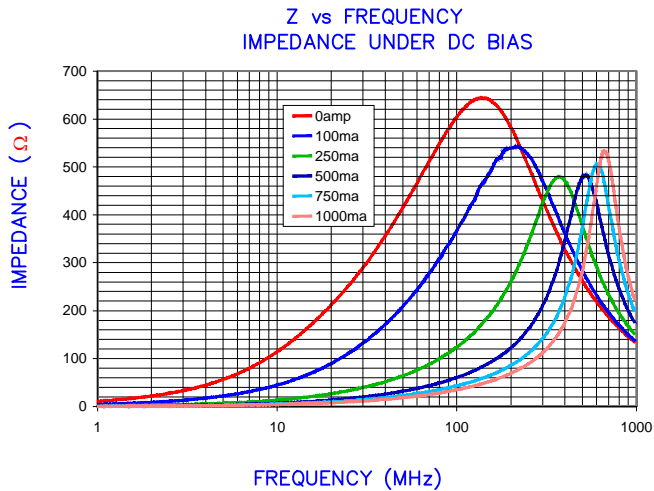


## ELECTRICAL CHARACTERISTICS:

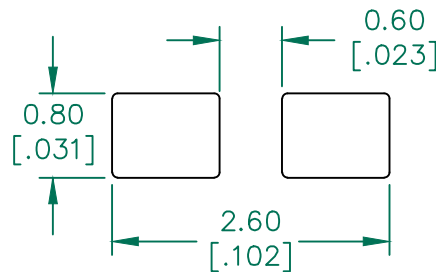
	Z @ 100MHz ( $\Omega$ )	DCR ( $\Omega$ )	Rated Current
Nominal	600		
Minimum	450		
Maximum	750	0.20	1000 mA

NOTES: UNLESS OTHERWISE SPECIFIED

1. TAPED AND REELED per CURRENT EIA SPECIFICATIONS 7" REELS, 4000 PCS/REEL.
2. TERMINATION FINISH IS 100% TIN.
3. COMPONENTS SHOULD BE ADEQUATELY PREHEATED BEFORE SOLDERING.
4. OPERATING TEMP. RANGE:  $-40^{\circ}\text{C} \sim +125^{\circ}\text{C}$ . (INCLUDING SELF-HEATING)
5. COSMETIC SPECIFICATION REFER TO WI-QA-124.

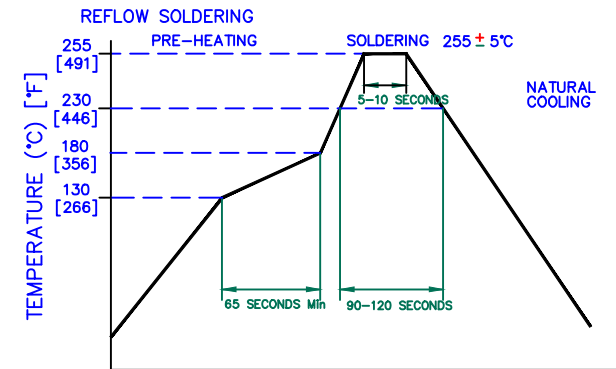


## LAND PATTERNS FOR REFLOW SOLDERING



(For wave soldering, add 0.762 [.030] to this dimension)

## RECOMMENDED SOLDERING CONDITIONS



RoHS

DIMENSIONS ARE IN mm [INCHES]				This print is the property of Laird Tech. and is loaned in confidence subject to return upon request and with the understanding that no copies shall be made without the written consent of Laird Tech. All rights to design or invention are reserved.			
C	ADD OPERATING TEMPERATURE UPDATE LAIRD LOGO AND REFLOW CURVE	08/05/13	QU	PROJECT/PART NUMBER:	MI0603J601R-10	REV	C
B	UPDATE COMPANY LOGO	07/24/08	JRK	DATE:	04/05/04	SCALE:	-
A	ORIGINAL DRAFT	04/05/04	TMB	CAD #	MI0603J601R-10-C	TOOL #	-
REV	DESCRIPTION	DATE	INT			SHEET: 1 of 1	

**Laird**

单击下面可查看定价，库存，交付和生命周期等信息

[>>Laird\(莱尔德\)](#)