

Features

- 225 Watts Peak Pulse Power per Line (tp=8/20µs)
- Protects Four Unidirectional I/O line
- Low Clamping Voltage
- Working Voltages : 5V
- Low Leakage Current
- IEC61000-4-2 (ESD) ±25kV (air), ±15kV (contact)
- IEC61000-4-4 (EFT) 40A (5/50ns)
- IEC61000-4-5 (LIGHTING) 9A (8/20µs)

Applications

- Ethernet - 10/100/1000 Base T
- Cellular Phones
- I²C Bus Protection
- Parallel & Serial Port Protection
- Personal Digital Assistant (PDA)
- Microcontroller Input Protection
- ISDN S/T Interface
- WAN/LAN Equipment

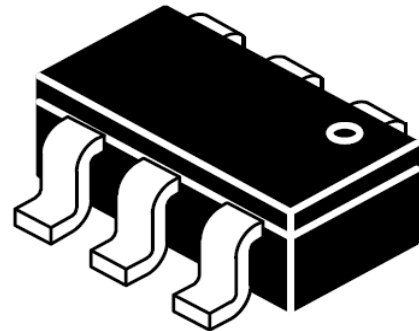
Mechanical Characteristics

- SOT-26 Package
- Molding Compound Flammability Rating : UL 94V-0
- Weight 16 Milligrams (Approximate)
- Quantity Per Reel : 3,000pcs
- Reel Size : 7 inch
- Lead Finish : Lead Free

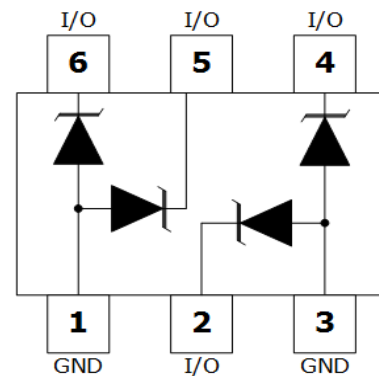
Absolute Maximum Ratings (Tamb=25°C unless otherwise specified)

Parameter	Symbol	Value	Unit
Peak Pulse Power (8/20µs)	P _{pp}	225	W
ESD per IEC 61000-4-2 (Air)	V _{ESD}	±25	Kv
ESD per IEC 61000-4-2 (Contact)		±15	
Operating Temperature Range	T _J	-55 to +125	°C
Storage Temperature Range	T _{STJ}	-55 to +150	°C

Dimensions SOT-6



Pin Configuration



Electrical Characteristics(TA=25°C unless otherwise specified)

PART NUMBER	DEVICE MARKING	V _{RWM} (V) (max.)	V _B (V) (min.)	I _T (mA)	V _C (I/O to GND) @1A (max.)	V _C (I/O to GND) (@A)		I _R (μA) (max.)	C _T (I/O to GND) (pF) (typ.)
					(max.)	(max.)			
LC0564ST6	56D	5	6	1	8.5	20	9	1	1.2
					V _C (I/O to I/O) @1A (max.)	V _C (I/O to I/O) (@A)			C _T (I/O to I/O) (pF) (typ.)
					9.8	25	9		2.5

TYPIC CHARACTERISTICS

Figure 1. 8 x 20 μ s Waveform

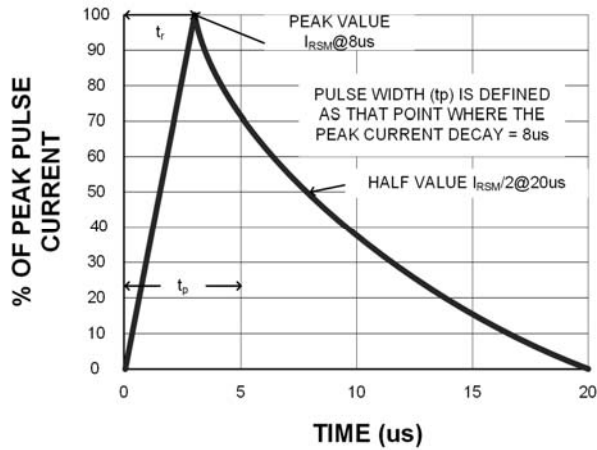


Figure 2. Power Derating Curve

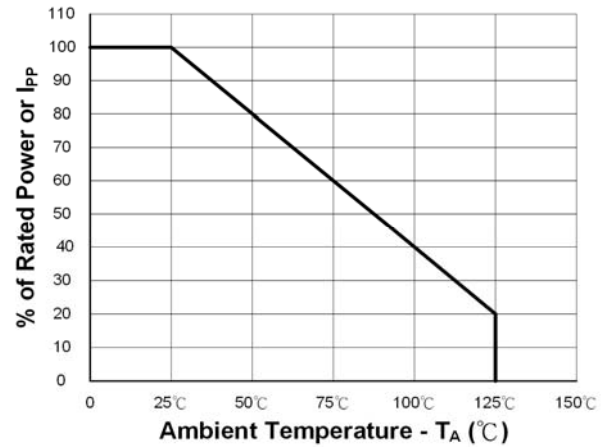
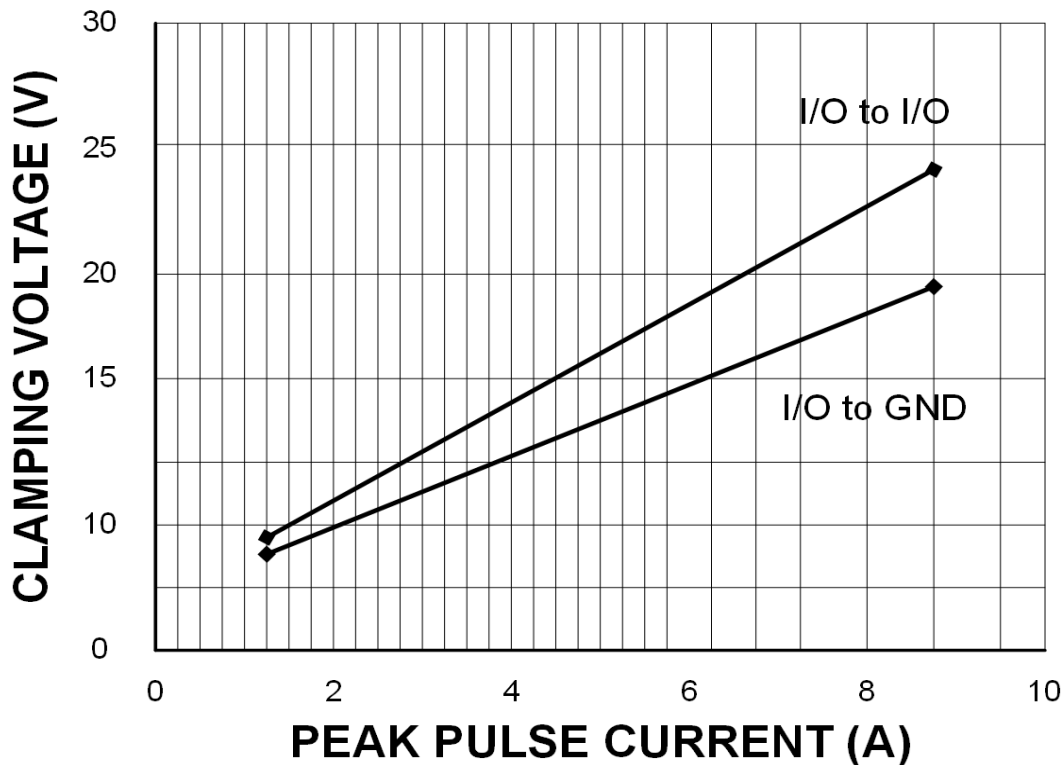


Figure 3. Clamping Voltage vs. Peak Pulse Current ($t_p=8/20us$)



TYPIC CHARACTERISTICS

Figure 4. Typical Capacitance vs. Reverse Voltage

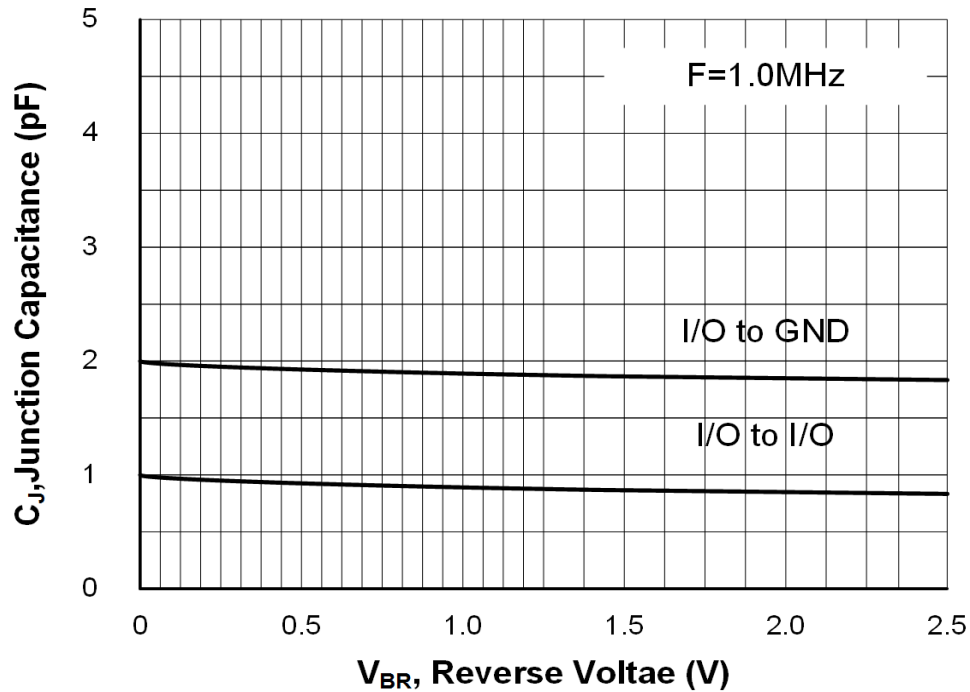
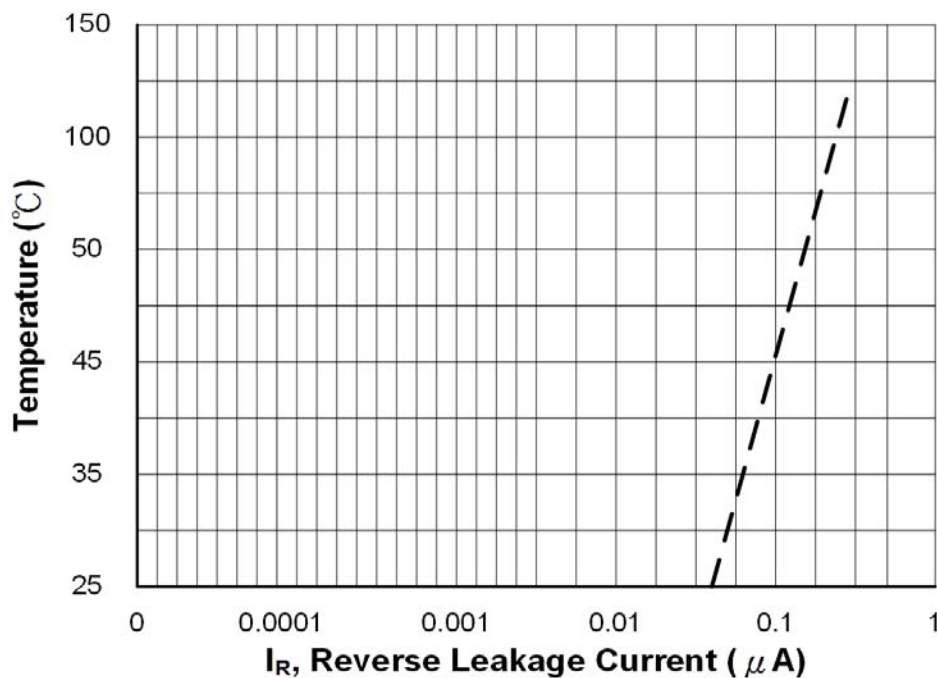
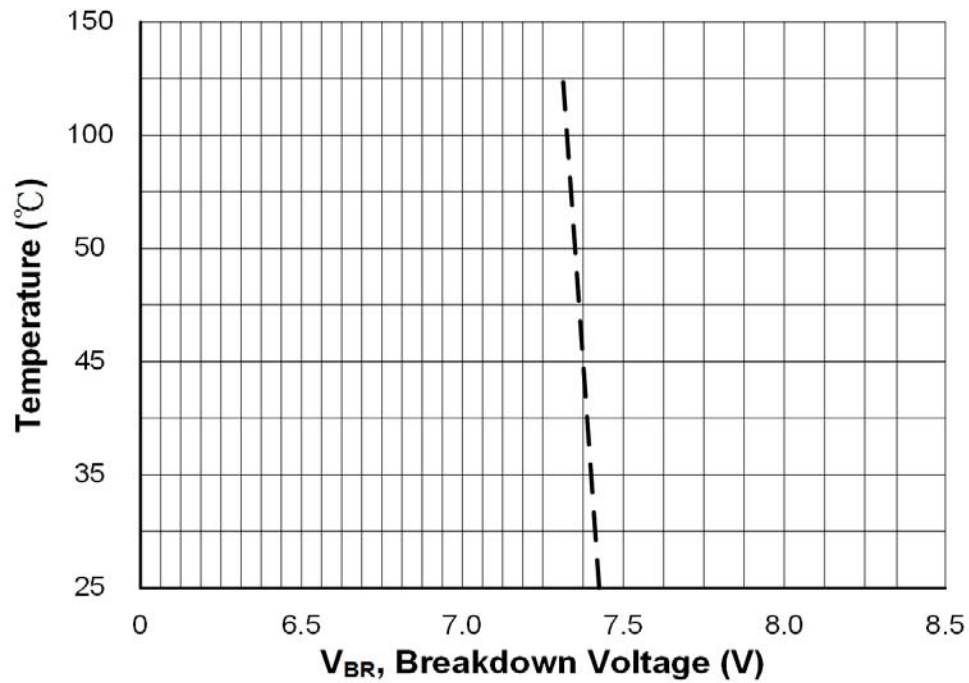


Figure 5. Typical Reverse Leakage vs. Temperature

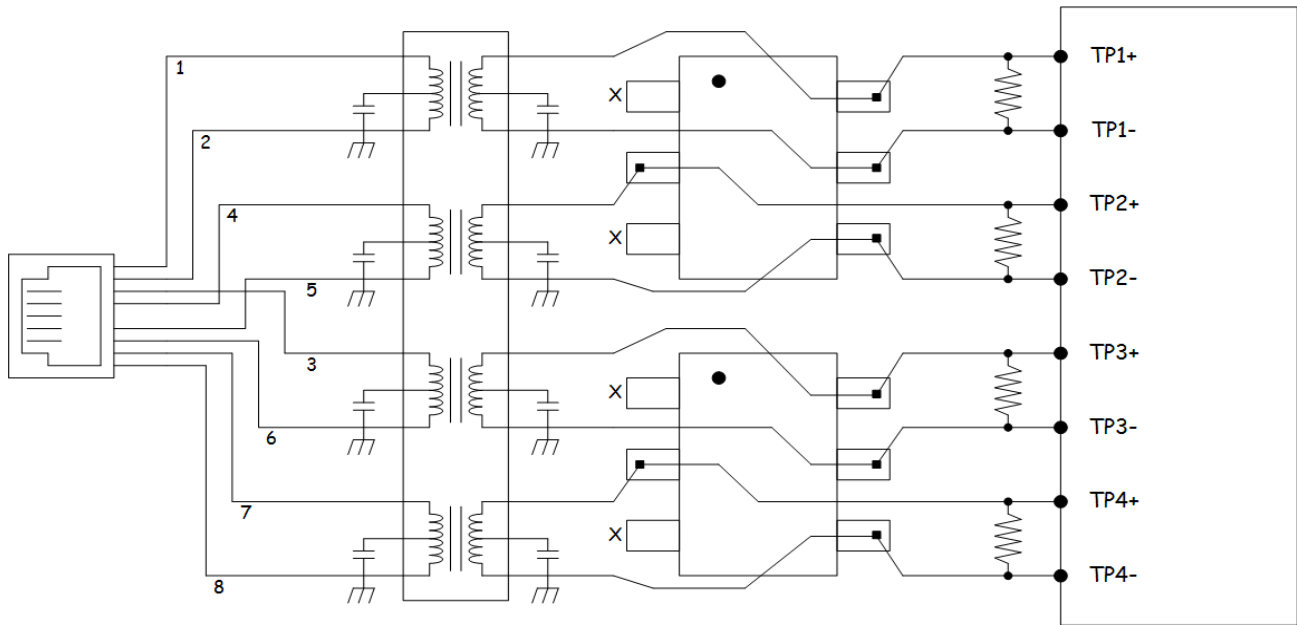


TYPIC CHARACTERISTICS

Figure 6. Typical Breakdown Voltage vs. Temperature

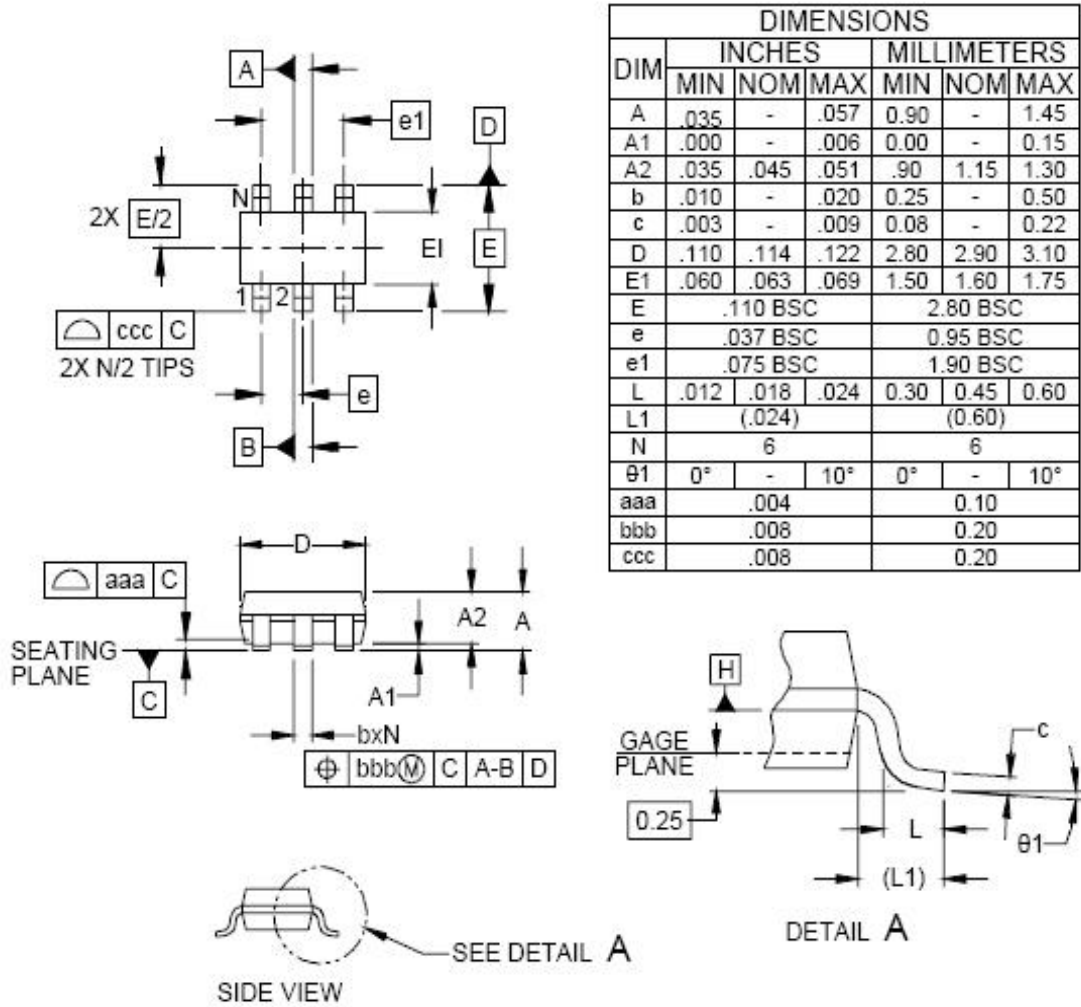


APPLICATION INFORMATION



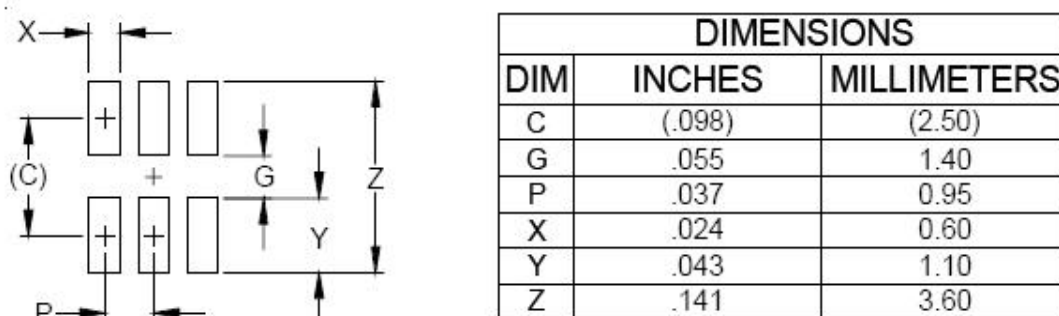
Gigabit Ethernet Protection Circuit

SOT-26 Package Outline & Dimensions



DIM	INCHES			MILLIMETERS		
	MIN	NOM	MAX	MIN	NOM	MAX
A	.035	-	.057	0.90	-	1.45
A1	.000	-	.006	0.00	-	0.15
A2	.035	.045	.051	.90	1.15	1.30
b	.010	-	.020	0.25	-	0.50
c	.003	-	.009	0.08	-	0.22
D	.110	.114	.122	2.80	2.90	3.10
E1	.060	.063	.069	1.50	1.60	1.75
E	.110 BSC			2.80 BSC		
e	.037 BSC			0.95 BSC		
e1	.075 BSC			1.90 BSC		
L	.012	.018	.024	0.30	0.45	0.60
L1	(.024)			(0.60)		
N	6			6		
theta1	0°	-	10°	0°	-	10°
aaa	.004			0.10		
bbb	.008			0.20		
ccc	.008			0.20		

* SOLDERING FOOTPRINT



Shanghai Leiditech Electronic Co.,Ltd
 Email: sale1@leiditech.com
 Tel : +86- 021 50828806
 Fax : +86- 021 50477059

单击下面可查看定价，库存，交付和生命周期等信息

[>>Leiditech\(雷卯电子\)](#)