

For the electronic measurement of current: DC, AC, pulsed..., with galvanic separation between the primary and the secondary circuit.



## Features

- Closed loop (compensated) current transducer using an extremely accurate zero flux detector
- 9-pin D-Sub male secondary connector
- Status signal to indicate the transducer state
- LED indicator confirms normal operation
- Metal housing to improve immunity to EMC & power dissipation
- Operating temperature  $-40 \text{ }^{\circ}\text{C}$  to  $85 \text{ }^{\circ}\text{C}$
- Transducer identification
- Large aperture  $\varnothing 28 \text{ mm}$  for cables and busbars.

## Advantages

- Very high accuracy
- Excellent linearity
- Extremely low temperature drift
- Wide frequency bandwidth
- High immunity to external fields
- No insertion losses
- Very low noise on output signal
- Low noise feedback to primary conductor.

## Applications

- Feedback element in high performance gradient amplifiers for MRI
- Feedback element in high-precision, high-stability power supplies
- Calibration unit
- Energy measurement
- Medical equipment.

## Standards

IEC 61010-1

EMC:

- IEC 61000-6-2: 2016
- IEC 61000-6-3: 2006 + A1 (2010)

Safety:

- IEC 61010-2-030: 2017
- IEC 61010-1:2010/AMD1: 2016.

## Application Domains

- Industrial
- Laboratory
- Medical.

## Safety



Caution

If the device is used in a way that is not specified by the manufacturer, the protection provided by the device may be compromised. Always inspect the electronics unit and connecting cable before using this product and do not use it if damaged. Mounting assembly shall guarantee the maximum primary conductor temperature, fulfill clearance and creepage distance, minimize electric and magnetic coupling, and unless otherwise specified can be mounted in any orientation.



Caution, risk of electrical shock

This transducer must be used in limited-energy secondary circuits SELV according to IEC 61010-1, in electric/electronic equipment with respect to applicable standards and safety requirements in accordance with the manufacturer's operating specifications.

Use caution during installation and use of this product; certain parts of the module can carry hazardous voltages and high currents (e.g. primary conductor).

Ignoring this warning can lead to injury and or/or cause serious damage.

De-energize all circuits and hazardous live parts before installing the product.

All installations, servicing operations and use must be carried out by trained and qualified personnel practicing applicable safety precautions.

This transducer is a built-in device, no maintenance required; cleaning by dry compressed air is authorized.

This transducer is a build-in device, whose hazardous live parts must be inaccessible after installation.

This transducer must be mounted in a suitable end-enclosure.

Besides make sure to have a distance of minimum 30 mm between the primary conductor (return bar) and the transducer and other neighboring components.

Main supply must be able to be disconnected.

Always inspect the current transducer for damage before using this product.

Never connect or disconnect the external power supply while the primary circuit is connected to live parts.

Never connect the output to any equipment with a common mode voltage to earth greater than 30 V.

Always wear protective clothing and gloves if hazardous live parts are present in the installation where the measurement is carried out.

Safe and trouble-free operation of this transducer can only be guaranteed if transport, storage and installation are carried out correctly and are carried out with care.

The current transducer shall not be opened or modified.

If not working, the current transducer shall be replaced by an equivalent device.



ESD susceptibility

The product is susceptible to ESD damage if the secondary (D-Sub) connector pins are touched without being properly grounded.



Caution, hot surface

Power supply cable must support a temperature of 100 °C at least and it must be fixed in a way to not be in contact with the product housing and primary conductor.

Do not dispose of this product as unsorted municipal waste. Contact a qualified recycler for disposal.

### Absolute maximum ratings

Parameter	Symbol	Unit	Value
Maximum supply voltage (working) (-40 ... 85 °C)	$\pm U_{C \max}$	V	16.5
Maximum primary conductor temperature	$T_{B \max}$	°C	100
Electrostatic discharge voltage (HBM - Human Body Model)	$U_{ESD \text{ HBM}}$	kV	2

Absolute maximum ratings apply at 25 °C unless otherwise noted.  
 Stresses above these ratings may cause permanent damage.  
 Exposure to absolute maximum ratings for extended periods may degrade reliability.

### Environmental and mechanical characteristics

Parameter	Symbol	Unit	Min	Typ	Max	Comment
Ambient operating temperature	$T_A$	°C	-40		85	
Ambient storage temperature	$T_{A \text{ st}}$	°C	-40		85	
Relative humidity	$RH$	%	20		80	Non-condensing
Mass	$m$	g		305		
Altitude <sup>1)</sup>		m			2000	
Environmental conditions						Indoor
Cooling conditions						Natural convection
Degree of protection against mechanical impacts				IK06		With busbar completely filling the aperture

### Insulation coordination

Parameter	Symbol	Unit	≤ Value	Comment
RMS voltage for AC insulation test, 50 Hz, 1 min	$U_d$	kV	4.95	Between primary and secondary + shield, according to IEC 61010-1
Impulse withstand voltage 1.2/50 μs	$U_{Ni}$	kV	8	According to IEC 61010-1
Partial discharge RMS test voltage ( $q_m < 10 \text{ pC}$ )	$U_t$	V	1900	According to IEC 61010-1
Clearance (pri. - sec.) <sup>2)</sup>	$d_{Cl}$	mm	11.2	Shortest distance through air
Creepage distance (pri. - sec.) <sup>2)</sup>	$d_{Cp}$	mm	11.2	Shortest path along device body
Case material	-	-	V0	According to UL 94
Comparative tracking index	$CTI$		600	
Application RMS voltage line-to-neutral		V	1000	Reinforced insulation according to IEC 61010-1 CAT II, PD2 With non insulated busbar completely filling the aperture

**Notes:** <sup>1)</sup> Insulation coordination at 2000 m  
<sup>2)</sup> Mating connector not included in this calculation, which can degrade Clearance and Creepage distance depending on the material and dimensions of said mating connector.

At  $T_A = 25\text{ °C}$ ,  $\pm U_C = \pm 15\text{ V DC}$ , unless otherwise noted (see Min, Max, typ, definition paragraph in [page 5](#)).

Parameter	Symbol	Unit	Min	Typ	Max	Comment
Primary nominal DC current (continuous)	$I_{PND C}$	A	-400		400	$T_A = -40 \dots 85\text{ °C}$
Primary nominal AC RMS current (continuous)	$I_{PNA C}$	A	-400		400	$T_A = -40 \dots 85\text{ °C}$ ; <a href="#">see figure 6</a>
Peak primary current, measuring range	$\hat{I}_{P M}$	A	-600		600	With $\pm U_C = 14.25\text{ V}$ , $T_A = -40 \dots 85\text{ °C}$ , $R_M = 2\ \Omega$ <a href="#">see page 5</a> , <a href="#">see figure 1, figure 6</a>
Measuring resistance	$R_M$	$\Omega$	0		3	<a href="#">See figures 1, 2 and page 5</a> for other values
Secondary nominal RMS current	$I_{S N}$	A	$\approx -0.266$		$\approx 0.266$	
Maximum withstand primary peak current <sup>1)</sup>	$\hat{I}_{P \max}$	kA			20	Non repetitive pulse 500 ms
Resistance of secondary winding	$R_S$	$\Omega$		21.2		@ $25\text{ °C}$
Number of secondary turns	$N_S$			1500		
DC supply voltage =	$+U_C$	V	14.25	15	15.75	
DC supply voltage =	$-U_C$	V	-14.25	-15	-15.75	
DC current consumption =	$+I_C$	A		0.12		@ $I_P = 0$
				0.387		@ $I_P = I_{P N}$
				0.52		@ $I_P = I_{P M}$
DC current consumption =	$-I_C$	A		0.07		@ $I_P = 0$
				0.337		@ $I_P = I_{P N}$
				0.47		@ $I_P = I_{P M}$
RMS noise current 0 ... 100 Hz referred to primary <sup>2)</sup>	$I_{no}$	ppm		0.1	0.4	
RMS noise current 0 ... 1 kHz referred to primary <sup>2)</sup>				0.15	0.5	
RMS noise current 0 ... 10 kHz referred to primary <sup>2)</sup>				0.8	3	
RMS noise current 0 ... 100 kHz referred to primary <sup>2)</sup>				4	15	
Peak-to-peak noise current <sup>2)</sup>	$I_{no pp}$	ppm		38	75	<a href="#">See figure 7</a>
Re-injected RMS noise on primary busbar		$\mu\text{V}$			10	
Fluxgate excitation frequency		kHz		31.25		$T_A = -40 \dots 85\text{ °C}$
Electrical offset current referred to primary <sup>2)</sup>	$I_{O E}$	ppm	-8		8	@ $25\text{ °C}$
Temperature coefficient of $I_{O E}$ referred to primary <sup>2)</sup>	$TCI_{O E}$	ppm/K	-0.1	0.05	0.1	$T_A = -40 \dots 85\text{ °C}$
Offset stability <sup>2)</sup>		ppm/month	-0.1		0.1	
Linearity error <sup>2)</sup>	$\varepsilon_L$	ppm	-0.5	0.25	0.5	
			-0.8		0.8	$T_A = -40 \dots 85\text{ °C}$
Delay time to 10 % of the final output value for $I_{P N}$ step	$t_{D 10}$	ns			< 200	<a href="#">See figures 3 and 4</a>
Delay time to 90 % of the final output value for $I_{P N}$ step	$t_{D 90}$	ns			< 200	$di/dt$ of 100 A/ $\mu\text{s}$
Frequency bandwidth ( $\pm 1\text{ dB}$ )	$BW$	kHz		750		Small-signal bandwidth, 1.5 % of $I_{P N}$ <a href="#">see figure 5</a>
Frequency bandwidth ( $\pm 3\text{ dB}$ )				800		
Start-up time	$t_{start}$	s			< 1	
Resistance value for transducer identification		k $\Omega$		33		

**Notes:** <sup>1)</sup> Single pulse only, not AC. The transducer may require a few seconds to return to normal operation when autoreset system is running;  
<sup>2)</sup> All ppm figures refer to full-scale which corresponds to a secondary nominal RMS current.

### Definition of typical, minimum and maximum values

Minimum and maximum values for specified limiting and safety conditions have to be understood as such as well as values shown in “typical” graphs.

On the other hand, measured values are part of a statistical distribution that can be specified by an interval with upper and lower limits and a probability for measured values to lie within this interval.

Unless otherwise stated (e.g. “100 % tested”), the LEM definition for such intervals designated with “min” and “max” is that the probability for values of samples to lie in this interval is 99.73 %.

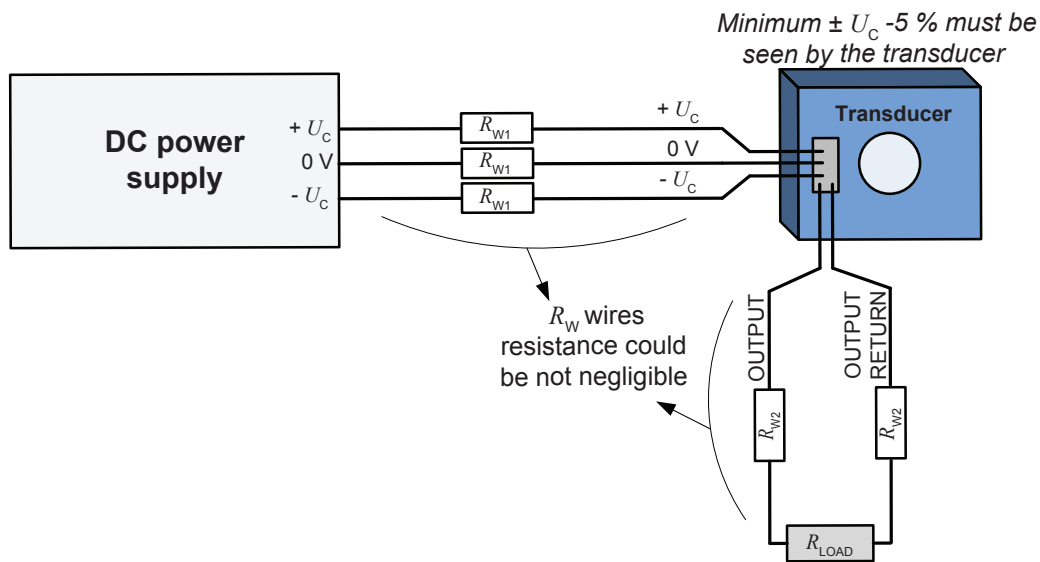
For a normal (Gaussian) distribution, this corresponds to an interval between -3 sigma and +3 sigma. If “typical” values are not obviously mean or average values, those values are defined to delimit intervals with a probability of 68.27 %, corresponding to an interval between -sigma and +sigma for a normal distribution.

Typical, maximal and minimal values are determined during the initial characterization of the product.

### Power supply and load

In order to reach the measuring range according to the maximum measuring resistor, be careful with the setup measurement when wires length are high. It means that:

- the wires resistance could be not negligible
- the voltage at the output of the DC power supply and the voltage at the transducer could be significantly different.



$R_W$  wire resistance in  $\Omega$  is:

$$R_W = \rho \frac{\ell}{A_W}$$

- $A_W$ : Cross section of wire in  $m^2$
- $\ell$ : Wire length in m
- $\rho$ : Resistivity of material in  $\Omega.m$

**Total measuring resistance is:**

$$R_M = R_L + 2 \times R_{W1} + 2 \times R_{W2}$$

If  $R_{W1} = R_{W2} = R_W$  then  $R_M = R_L + 4 \times R_W$

## Transducer protection

### By-design protection system

The transducer is designed to protect itself from typical fault conditions:

- Unit is not powered and secondary circuit is open or closed
- Unit is powered and secondary circuit is open or interrupted

The transducer can withstand primary current of up to 5 times  $I_{P_N}$  (both in DC and AC) without damaging the electronics. Notice that the sensor core can be magnetized in the above mentioned cases, leading to a small change in output offset current.

### Overload protection

The overload occurs when the primary current  $I_P$  exceeds a trip level such that the fluxgate detector becomes completely saturated and, consequently, the transducer will switch from normal operation to overload mode.

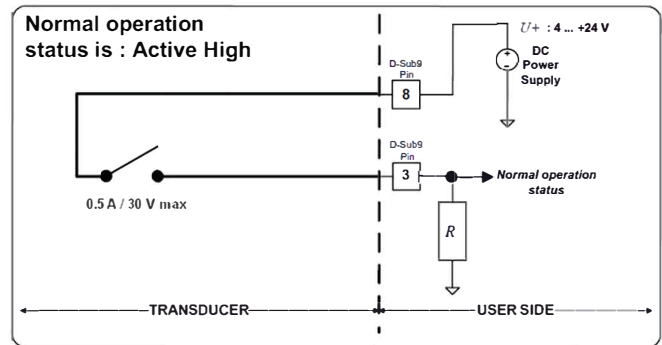
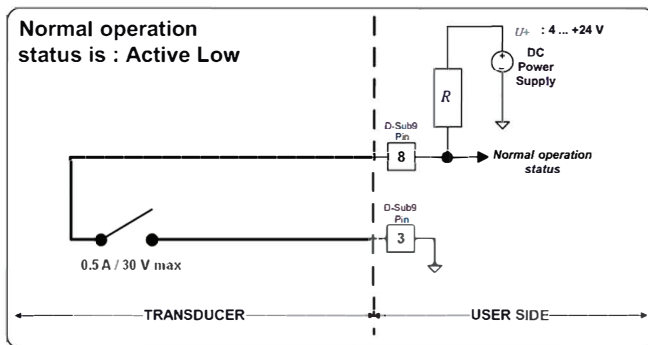
This trip level is guaranteed to be greater than  $I_{P_M}$  and its actual value depends on operating conditions such as temperature and measuring resistance.

When this happens, the transducer will automatically begin to sweep in order to lock on the primary current again.

The output will be force to 0 V, so the burden will be short-circuited.

The overload conditions will be:

- Pin 6 is forced to 0 V.
- The signal normal operation status (between pin 3 and 8 of the D-Sub connector) is open.
- The green LED indicator (normal operation status) turns off.



The measuring can resume when the primary current returns in the measuring range (see measuring range figures in [page 7](#)). Then the signal normal operation status switches to GND and the green LED indicator (normal operation status) is closed.

### Status/Interlock port wiring

The following table shows how the normal operation status acts as below:

Status	Value	Description
Active Low	0 V	The transducer is OK (Normal operation)
	$U+$	The transducer is not OK (Overload mode or supply fault)
Active High	$U+$	The transducer is OK (Normal operation)
	0 V	The transducer is not OK (Overload mode or supply fault)

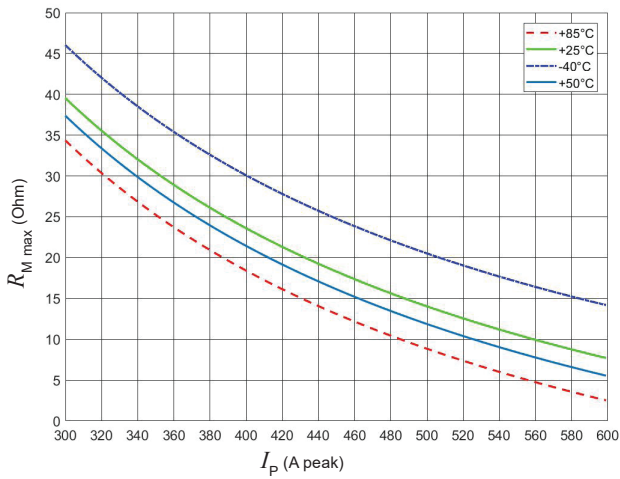


Figure 1: Measuring range at  $\pm 14.25$  V considering peak current

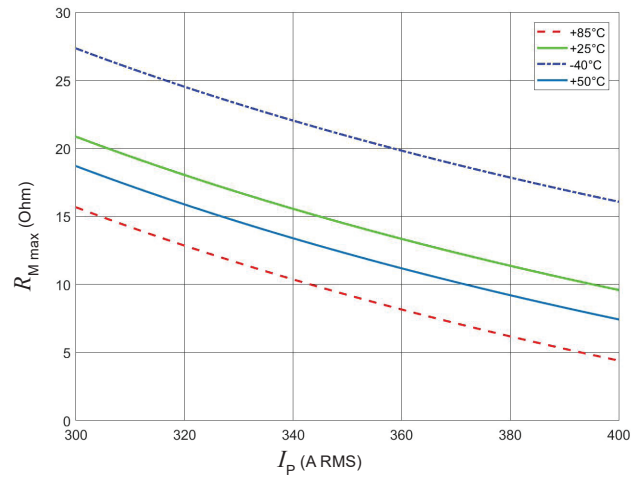


Figure 2: Measuring range at  $\pm 14.25$  V considering RMS current

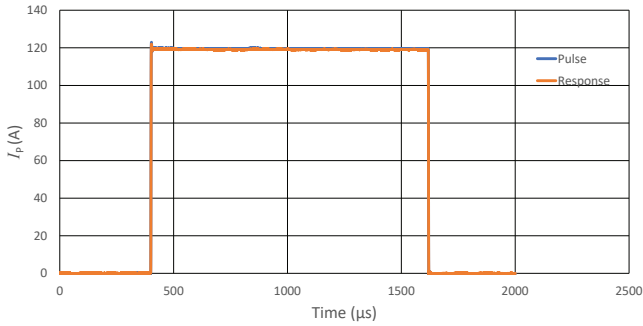


Figure 3: Typical transducer pulse response at 25 °C with 10  $\Omega$  burden

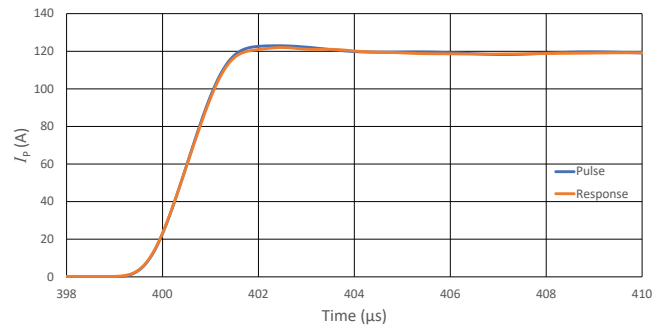


Figure 4: Zoom on figure 3

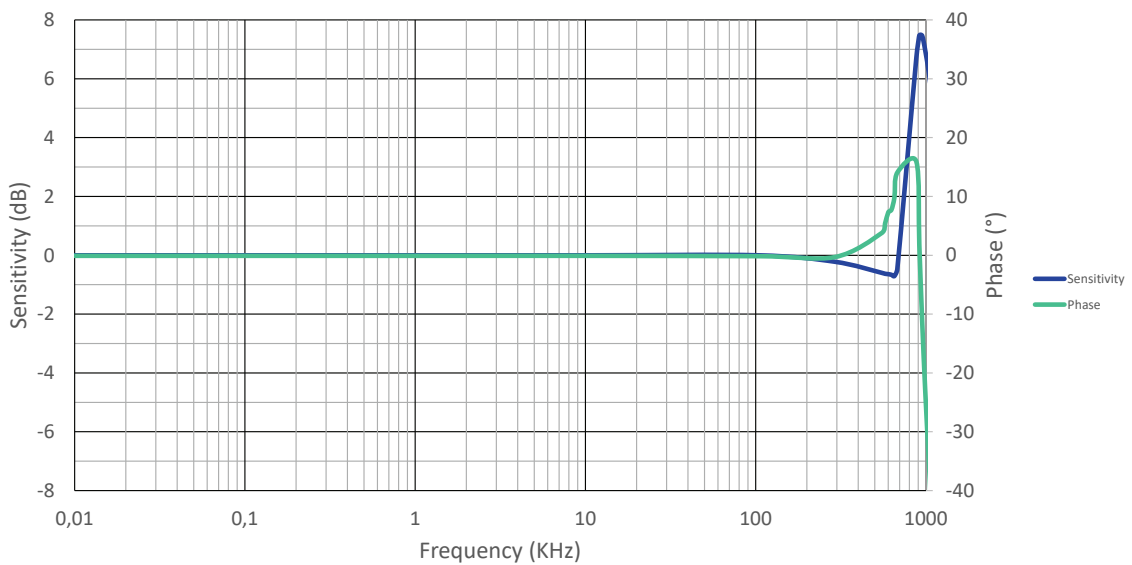


Figure 5: Typical transducer bandwidth response at 25 °C under 1.5  $\Omega$

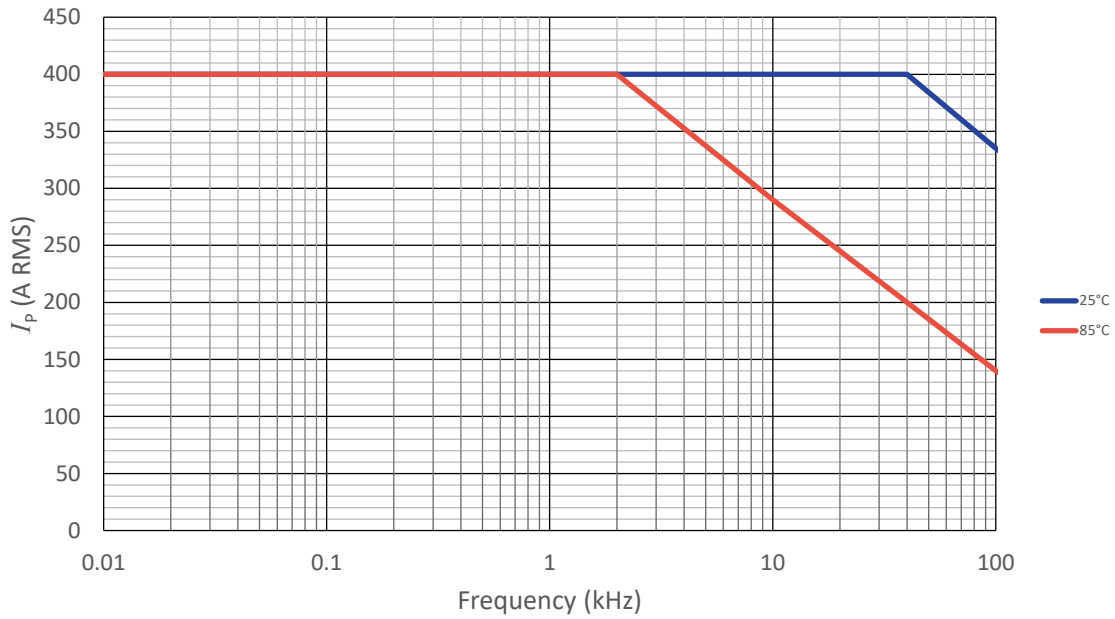


Figure 6: Derating curve

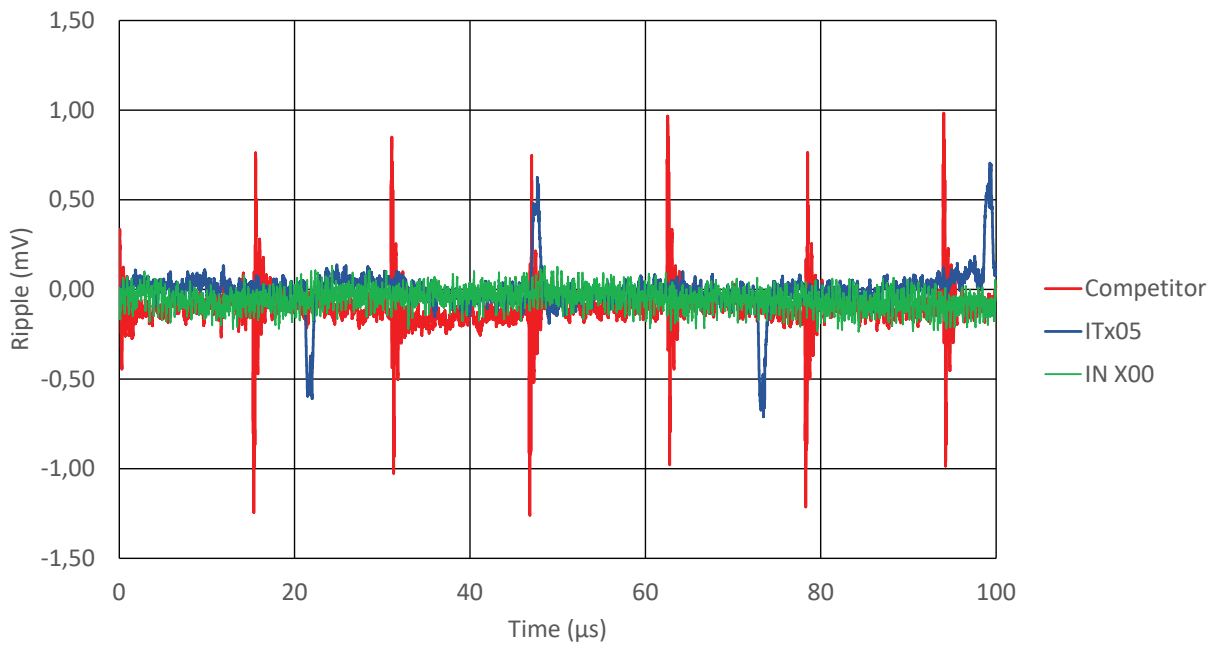
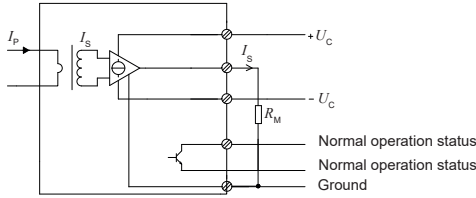


Figure 7: Ripple waveform with a 10 Ω burden on a scope



## Terms and definitions

The schematic used to measure all electrical parameters is shown below:



### Ampere-turns and amperes

The transducer is sensitive to the primary current linkage  $\theta_p$  (also called ampere-turns).

$$\theta_p = N_p \cdot I_p$$

Where  $N_p$  is the number of primary turn (depending on the connection of the primary jumpers).

Caution: As most applications will use the transducer with only one single primary turn ( $N_p = 1$ ), much of this datasheet is written in terms of primary current instead of current linkages. However, the ampere-turns (A) unit is used to emphasis that current linkages are intended and applicable.

### Simplified transducer model

The static model of the transducer with current output at temperature  $T_A$  is:

$$I_s = S \cdot \theta_p \cdot (1 + \varepsilon)$$

In which (referred to primary):

$$\varepsilon \cdot \theta_p = I_{OE} + I_{OT} + \varepsilon_s \cdot \theta_p + \varepsilon_{sT} \cdot \theta_p + \varepsilon_L(\theta_{Pmax}) \cdot \theta_{Pmax} + I_{OM}$$

- $\theta_p = N_p \cdot I_p$  : primary current linkage (A)
- $\theta_{Pmax}$  : maximum primary current linkage applied to the transducer
- $I_s$  : secondary current (A)
- $S$  : sensitivity of the transducer
- $T_A$  : ambient operating temperature (°C)
- $I_{OE}$  : electrical offset current (A)
- $I_{OM}$  : magnetic offset current (A)
- $I_{OT}$  : temperature variation of  $I_{OE}$  (A)
- $\varepsilon_s$  : sensitivity error at 25 °C
- $\varepsilon_{sT}$  : thermal drift of  $S$
- $\varepsilon_L(\theta_{Pmax})$  : linearity error for  $\theta_{Pmax}$

This model is valid for primary ampere-turns  $\theta_p$  between  $-\theta_{Pmax}$  and  $+\theta_{Pmax}$  only.

This is the absolute maximum error. As all errors are independent, a more realistic way to calculate the error would be to use the following formula:

$$\varepsilon = \sqrt{\sum_{i=1}^N \varepsilon_i^2}$$

### Total error referred to primary

The total error  $\varepsilon_{tot}$  is the error at  $\pm I_{PN}$ , relative to the rated value  $I_{PN}$ .

It includes all errors mentioned above

- the electrical offset  $I_{OE}$
- the magnetic offset  $I_{OM}$
- the sensitivity error  $\varepsilon_s$
- the linearity error  $\varepsilon_L$  (to  $I_{PN}$ ).

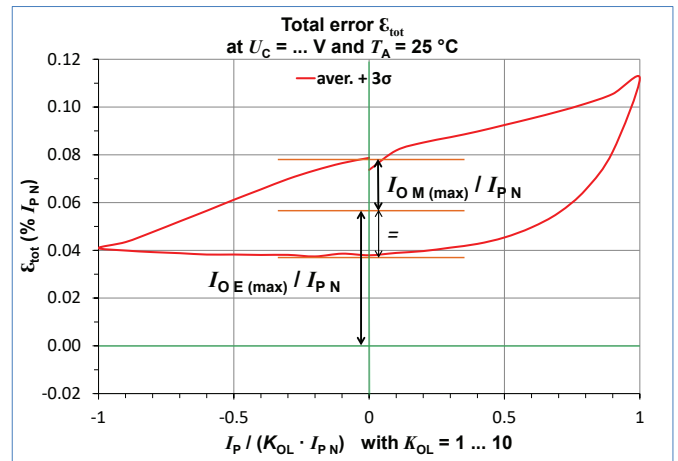


Figure 8: Total error  $\varepsilon_{tot}$

### Electrical offset referred to primary

Using the current cycle shown in figure 6, the electrical offset current  $I_{OE}$  is the residual output referred to primary when the input current is zero.

$$U_{OE} = \frac{I_{P(3)} + I_{P(5)}}{2}$$

The temperature variation  $I_{OT}$  of the electrical offset current  $I_{OE}$  is the variation of the electrical offset from 25 °C to the considered temperature.

$$U_{OT}(T) = U_{OE}(T) - U_{OE}(25 \text{ °C})$$

## Performance parameters definition

### Sensitivity and linearity

To measure sensitivity and linearity, the primary current (DC) is cycled from 0 to  $I_P$ , then to  $-I_P$  and back to 0 (equally spaced  $I_P/10$  steps). The sensitivity  $S$  is defined as the slope of the linear regression line for a cycle between  $\pm I_{PN}$ .

The linearity error  $\epsilon_L$  is the maximum positive or negative difference between the measured points and the linear regression line, expressed in % of  $I_{PN}$ .

### Delay times

The delay time  $t_{D10}$  @ 10 % and the delay time  $t_{D90}$  @ 90 % with respect to the primary are shown in the next figure.

Both slightly depend on the primary current  $di/dt$ . They are measured at nominal current.

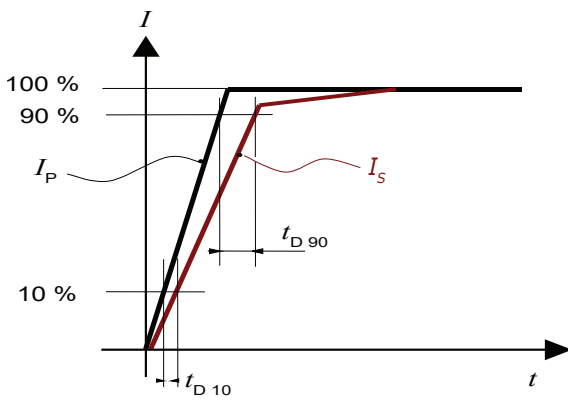
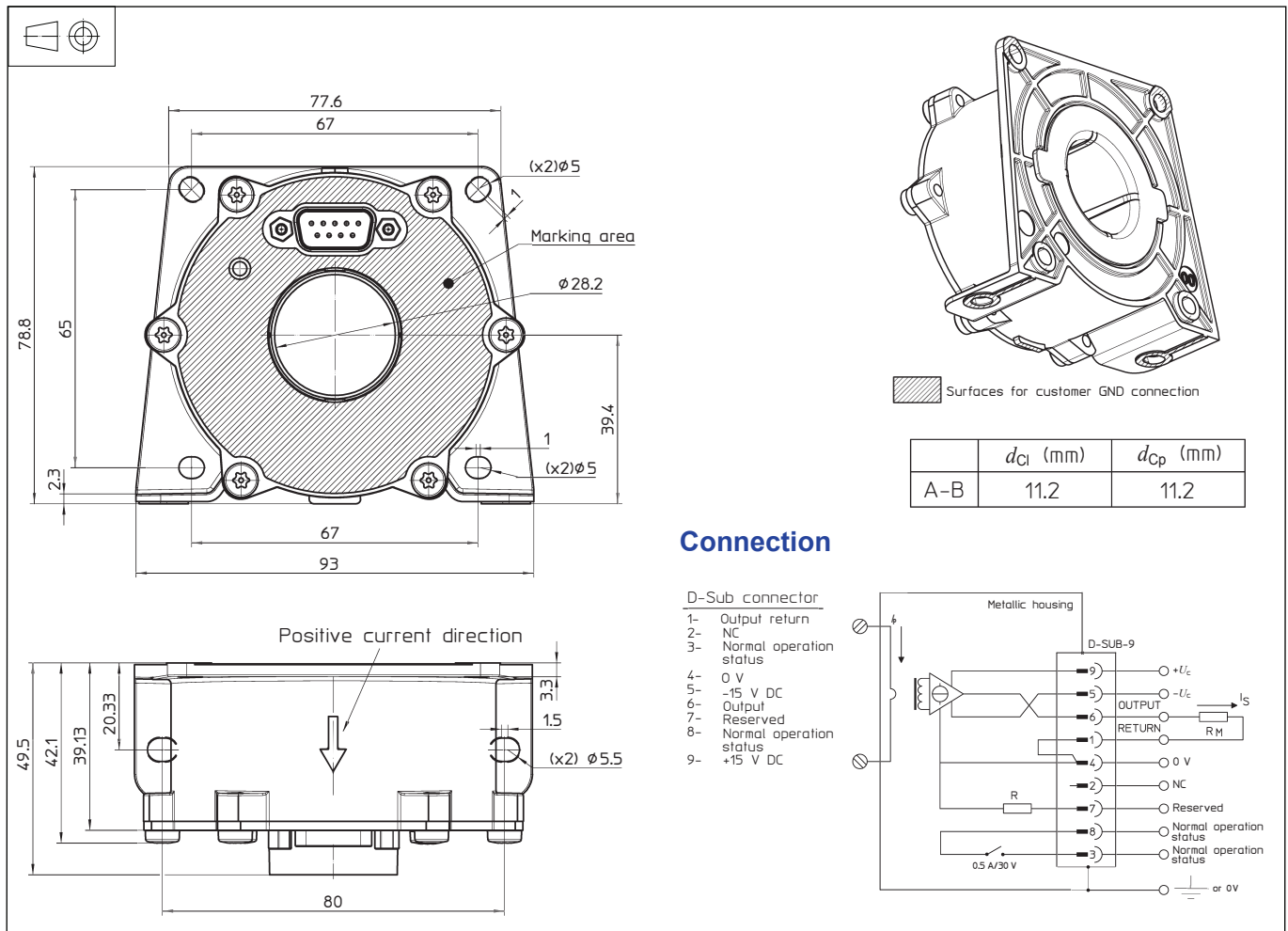


Figure 9:  $t_{D10}$  (delay time @ 10 %) and  $t_{D90}$  (delay time)

Dimensions (in mm)



Connection

- Normal operation status (Pins 3 and 8)  
Normal operation means:
  - ±15 V (±U<sub>o</sub>) present
  - 0 V on D-Sub has to be tied
  - zero detector is working
  - compensation current ≤ I<sub>PM</sub>
  - green LED indicator switches on.
- Direct current = (DC)

Mechanical characteristics

- General tolerance ±0.5 mm
- Transducer fastening
  - Vertical mounting
    - 2 slotted holes
    - ∅ 5.5 mm
    - 2 M5 steel screws
  - Horizontal mounting
    - 4 slotted holes
    - ∅ 5 mm
    - 4 M4 steel screws
- Recommended fastening torque
  - Horizontal mounting 3.7 N·m
  - Vertical mounting 3.2 N·m
- Connection of secondary on D-Sub-9  
UNC 4-40
- Manual tightening until full stop

Remarks

- I<sub>S</sub> is positive when I<sub>p</sub> flows in the direction of arrow.
- We recommend that a shielded output cable and plug are used to ensure the maximum immunity against electrostatic fields.
- Temperature of the primary conductor should not exceed 100 °C.
- We recommend to fix the potential of the housing to the ground or 0 V (on indicated surfaces).
- Installation of the transducer must be done, unless otherwise specified on the datasheet, according to LEM Transducer Generic Mounting Rules. Please refer to LEM document N°ANE120504 available on our Web site: <https://www.lem.com/en/file/3137/download/>
- All mounting recommendations are given for a standard mounting. Screws with flat and spring washers.

单击下面可查看定价，库存，交付和生命周期等信息

[>>LEM\(莱姆\)](#)