

For the electronic measurement of current: DC, AC, pulsed..., with galvanic separation between the primary and the secondary circuit.



## Features

- Closed loop multi-range current transducer
- Voltage output
- Unipolar supply voltage
- PCB mounting.

## Advantages

- Very low offset drift
- Very good  $dv/dt$  immunity.

## Applications

- AC variable speed and servo motor drives
- Battery supplied applications
- Uninterruptible Power Supplies (UPS)
- Switched Mode Power Supplies (SMPS)
- Power supplies for welding applications
- Solar inverters.

## Standards

- IEC 61800-3: 2017
- IEC 61800-5-1: 2007
- IEC 62109-1: 2010
- IEC 62477-1: 2012
- UL 508: 2018.

## Application Domain

- Industrial.

## Safety



Caution

If the device is used in a way that is not specified by the manufacturer, the protection provided by the device may be compromised. Always inspect the electronics unit and connecting cable before using this product and do not use it if damaged. Mounting assembly shall guarantee the maximum primary busbar temperature, fulfill clearance and creepage distance, minimize electric and magnetic coupling, and unless otherwise specified can be mounted in any orientation



Caution, risk of electrical shock

This transducer must be used in limited-energy secondary circuits SELV according to IEC 61800-5-1, in electric/electronic equipment with respect to applicable standards and safety requirements in accordance with the manufacturer's operating specifications.

When operating the transducer, certain parts of the module can carry hazardous voltage (e.g. primary busbar, power supply). All installations, maintenance, servicing operations and use must be carried out by trained and qualified personnel practicing applicable safety precautions.

If the transducer is used in a manner not specified by the manufacturer, the protection provided by the equipment may be impaired.

Ignoring this warning can lead to injury and/or cause serious damage.

This transducer is a build-in device, whose hazardous live parts must be inaccessible after installation.

This transducer must be mounted in a suitable end-enclosure.

Use caution during installation and use of this product; high voltages and currents may be present in circuit under test.

This transducer is a built-in device, not intended to be cleaned with any product. Nevertheless if the user must implement cleaning or washing process, validation of the cleaning program has to be done by himself.



ESD susceptibility

The product is susceptible to be damaged from an ESD event and the personnel should be grounded when handling it.

Do not dispose of this product as unsorted municipal waste. Contact a qualified recycler for disposal.



Underwriters Laboratory Inc. recognized component

## Absolute maximum ratings

Parameter	Symbol	Unit	Value
Maximum supply voltage	$U_{C \max}$	V	7
Maximum primary current	$I_{P \max}$	V	$10 \times I_{P N}$
Maximum primary conductor temperature	$T_{B \max}$	°C	110
Electrostatic discharge voltage (HBM - Human Body Model)	$U_{ESD \text{ HBM}}$	kV	4

Stresses above these ratings may cause permanent damage.  
Exposure to absolute maximum ratings for extended periods may degrade reliability.

## UL 508: Ratings and assumptions of certification

File # E189713 Volume: 2 Section: 14.

### Standards

- CSA C22.2 NO. 14-18 INDUSTRIAL CONTROL EQUIPMENT - Edition 13
- UL 508 STANDARD FOR INDUSTRIAL CONTROL EQUIPMENT - Edition 18

### Ratings

Parameter	Symbol	Unit	Value
Primary involved potential		V AC/DC	1000
Maximum surrounding air temperature	$T_A$	°C	85
Primary current	$I_P$	A	Primary nominal current
Transducer supply	$U_C$	V DC	5
Output voltage	$U_{out}$	V	0 to 5

### Conditions of acceptability

When installed in the end-use equipment, consideration shall be given to the following:

- 1 - These devices must be mounted in a suitable end-use enclosure.
- 2 - The terminals have not been evaluated for field wiring.
- 3 - The LZSR Series shall be used in a pollution degree 2 environment or better.
- 4 - Low voltage circuits are intended to be powered by a circuit derived from an isolating source (such as a transformer, optical isolator, limiting impedance or electro-mechanical relay) and having no direct connection back to the primary circuit (other than through the grounding means).
- 5 - These devices are intended to be mounted on the printed wiring board of the end-use equipment (with a minimum CTI of 100).
- 6 - LZSR Series: based on results of temperature tests, in the end-use application, a maximum of 110°C cannot be exceeded on the primary conductor.

### Marking

Only those products bearing the UL or UR Mark should be considered to be Listed or Recognized and covered under UL's Follow-Up Service. Always look for the Mark on the product.

**Insulation coordination**

Parameter	Symbol	Unit	Value	Comment
RMS voltage for AC insulation test, 50 Hz, 1 min	$U_d$	kV	3	
Impulse withstand voltage 1.2/50 $\mu$ s	$U_{Ni}$	kV	8	
Partial discharge RMS test voltage ( $q_m < 10$ pC)	$U_t$	kV	1650	
Insulation resistance	$R_{INS}$	G $\Omega$	> 200	measured at 500 V DC
Clearance (pri. - sec.)	$d_{Cl}$	mm	12.2	Shortest distance through air
Creepage distance (pri. - sec.)	$d_{Cp}$	mm	12.2	Shortest path along device body
Case material	-	-	V0	According to UL 94
Comparative tracking index	$CTI$		600	
Application example System voltage RMS		V	600	Reinforced insulation according to IEC 61800-5-1, IEC 62109-1 CAT III, PD2
Application example System voltage RMS		V	1000	Basic insulation according to IEC 61800-5-1, IEC 62109-1 CAT III, PD2

**Environmental and mechanical characteristics**

Parameter	Symbol	Unit	Min	Typ	Max	Comment
Ambient operating temperature	$T_A$	$^{\circ}$ C	-40		85	
Ambient storage temperature	$T_S$	$^{\circ}$ C	-55		125	
Mass	$m$	g		67		

**Electrical data**

At  $T_A = 25\text{ °C}$ ,  $U_C = +5\text{ V}$ ,  $N_p = 1$  turn,  $R_L = 10\text{ k}\Omega$  internal reference unless otherwise noted (see Min, Max, typ. definition paragraph in page 8). Lines with a \* in the comment column apply over the  $-40 \dots 85\text{ °C}$  ambient temperature range.

Parameter	Symbol	Unit	Min	Typ	Max	Comment
Primary nominal RMS current	$I_{PN}$	A		150		*
Primary current, measuring range	$I_{PM}$	A		270		*
Supply voltage	$U_C$	V	4.75	5	5.25	*
Current consumption	$I_C$	mA		$18 + \frac{I_s(\text{mA})}{N_s}$	$20 + \frac{I_s(\text{mA})}{N_s}$	$N_s = 2026$ turns
Reference voltage @ $I_p = 0\text{ A}$	$U_{ref}$	V	2.485	2.5	2.515	Internal reference
Output voltage	$U_{out}$	V	0.25		4.75	with $U_C = +5\text{ V}$
Output voltage @ $I_p = 0\text{ A}$	$U_{out}$	V		$U_{ref}$		
Electrical offset voltage	$U_{OE}$	mV	-2.5		2.5	100 % tested $U_{out} - U_{ref}$
Electrical offset current referred to primary	$I_{OE}$	mA	-600		600	100 % tested
Temperature coefficient of $I_{OE}$ referred to primary	$TCI_{OE}$	A/K	-0.002		0.002	*
Temperature coefficient of $U_{ref}$	$TCU_{ref}$	ppm/K	-100		100	* Internal reference
Temperature coefficient of $U_{out}$ @ $I_p = 0\text{ A}$	$TCU_{out}$	ppm/K	-3		3	* ppm/K of 2.5 V
Nominal sensitivity	$S_N$	mV/A		4.167		$625\text{ mV}/I_{PN}$
Sensitivity error	$\varepsilon_S$	% of $I_{PN}$	-0.65		0.65	100 % tested
Temperature coefficient of $S$	$TCS$	ppm/K			70	* ppm/k of $I_{PN}$
Linearity error	$\varepsilon_L$	% of $I_{PN}$	-0.15		0.15	
Magnetic offset current ( $10 \times I_{PN}$ ) referred to primary	$I_{OM}$	mA	-156		156	
Noise voltage spectral density 100 Hz ... 100 kHz	$u_{no}$	$\mu\text{V}/\text{Hz}^{1/2}$		0.92		
Peak-to-peak noise voltage DC ... 10 kHz DC ... 100 kHz DC ... 1 MHz	$U_{no\text{pp}}$	mVpp		0.2 0.33 1		
Primary current, detection threshold	$I_{PTh}$	A	$1.39 \times I_{PN}$	$1.44 \times I_{PN}$	$1.50 \times I_{PN}$	
Delay time of threshold output for high value	$t_{DHTH}$	$\mu\text{s}$		1.4	2.2	* Overcurrent detection measured over temperature
Delay time to 10 % of $I_{PN}$	$t_{D10}$	$\mu\text{s}$			1	di/dt = 50 A/ $\mu\text{s}$
Delay time to 80 % of $I_{PN}$	$t_{D80}$	$\mu\text{s}$			2	
Frequency bandwidth ( $\pm 3\text{ dB}$ )	$BW$	kHz	200			
Total error	$\varepsilon_{tot}$	% of $I_{PN}$			0.95	See formula note <sup>1)</sup>
Total error @ $T_A = 85\text{ °C}$	$\varepsilon_{tot}$	% of $I_{PN}$			1.25	See formula note <sup>1)</sup>
Sum of sensitivity and linearity	$\varepsilon_{SL}$	% of $I_{PN}$			0.68	See formula note <sup>2)</sup>
Sum of sensitivity and linearity @ $T_A = 85\text{ °C}$	$\varepsilon_{SL}$	% of $I_{PN}$			1.1	See formula note <sup>2)</sup>

**Notes:** <sup>1)</sup>  $\varepsilon_{tot}(T_A) = \varepsilon_{tot25} + \left( TCS + \frac{TCI_{OE}}{I_{PN}} \right) \times |T_A - 25|$

<sup>2)</sup>  $\varepsilon_{SL}(T_A) = \varepsilon_{SL25} + \left( TCS + \frac{TCI_{OE}}{I_{PN}} \right) \times |T_A - 25|$

Typical performance characteristics

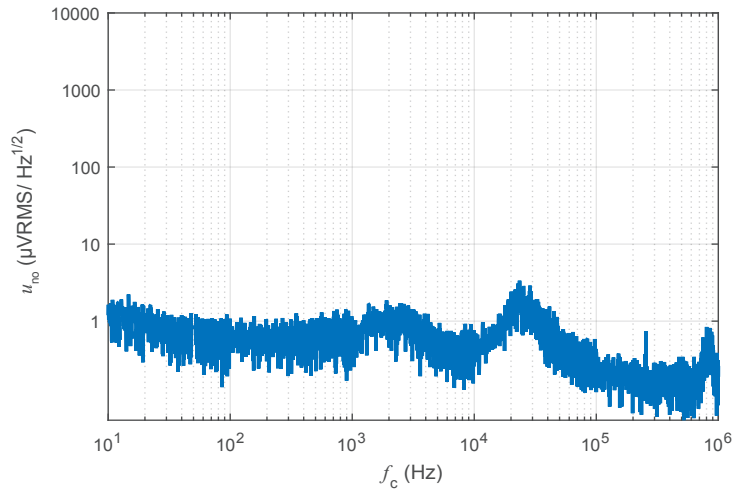


Figure 1: Noise voltage spectral density referred to primary

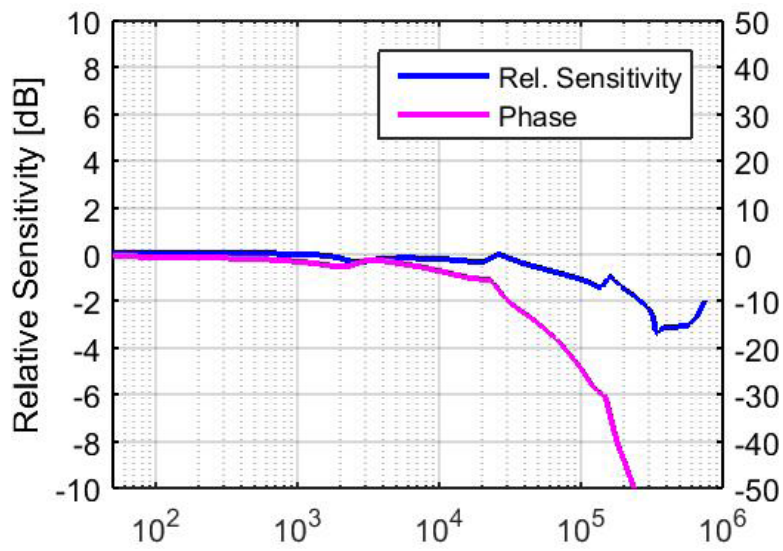


Figure 2: Frequency response

## Terms and definitions

### Ampere-turns and amperes

The transducer is sensitive to the primary current linkage  $\theta_p$  (also called ampere-turns).

$$\theta_p = N_p \cdot I_p$$

Where  $N_p$  is the number of primary turn (depending on the connection of the primary jumpers).

Caution: As most applications will use the transducer with only one single primary turn ( $N_p = 1$ ), much of this datasheet is written in terms of primary current instead of current linkages. However, the ampere-turns (A) unit is used to emphasis that current linkages are intended and applicable.

### Simplified transducer model

The static model of the transducer with current output at temperature  $T_A$  is:

$$I_S = S \cdot \theta_p \cdot (1 + \varepsilon)$$

In which (referred to primary):

$$\varepsilon \cdot \theta_p = I_{OE} + I_{OT} + \varepsilon_S \cdot \theta_p + \varepsilon_{ST} \cdot \theta_p + \varepsilon_L(\theta_{Pmax}) \cdot \theta_{Pmax} + I_{OM}$$

$\theta_p = N_p \cdot I_p$  : primary current linkage (A)

$\theta_{Pmax}$  : maximum primary current linkage applied to the transducer

$I_S$  : secondary current (A)

$S$  : sensitivity of the transducer

$T_A$  : ambient operating temperature (°C)

$I_{OE}$  : electrical offset current (A)

$I_{OM}$  : magnetic offset current (A)

$I_{OT}$  : temperature variation of  $I_{OE}$  (A)

$\varepsilon_S$  : sensitivity error at 25 °C

$\varepsilon_{ST}$  : thermal drift of  $S$

$\varepsilon_L(\theta_{Pmax})$  : linearity error for  $\theta_{Pmax}$

This model is valid for primary ampere-turns  $\theta_p$  between  $-\theta_{Pmax}$  and  $+\theta_{Pmax}$  only.

This is the absolute maximum error. As all errors are independent, a more realistic way to calculate the error would be to use the following formula:

$$\varepsilon = \sqrt{\sum_{i=1}^N \varepsilon_i^2}$$

### Sensitivity and linearity

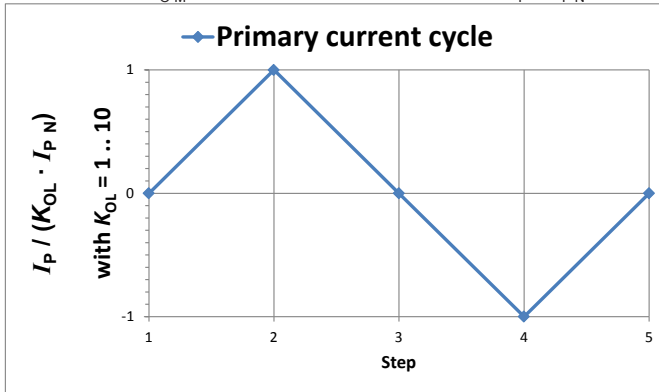
To measure sensitivity and linearity, the primary current (DC) is cycled from 0 to  $I_p$ , then to  $-I_p$  and back to 0 (equally spaced  $I_p/10$  steps). The sensitivity  $S$  is defined as the slope of the linear regression line for a cycle between  $\pm I_{PN}$ .

The linearity error  $\varepsilon_L$  is the maximum positive or negative difference between the measured points and the linear regression line, expressed in % of  $I_{PN}$ .

## Performance parameters definition

### Magnetic offset referred to primary

The magnetic offset current  $I_{OM}$  is the consequence of a current on the primary side ("memory effect" of the transducer's ferro-magnetic parts). It is measured using the following primary current cycle.  $I_{OM}$  depends on the current value  $I_P \geq I_{PN}$ .



$K_{OL}$ : Overload factor

Figure 3: Current cycle used to measure magnetic and electrical offset (transducer supplied)

$$I_{OM} = \frac{I_{P(3)} - I_{P(5)}}{2}$$

### Electrical offset referred to primary

Using the current cycle shown in figure 3, the electrical offset current  $I_{OE}$  is the residual output referred to primary when the input current is zero.

$$I_{OE} = \frac{I_{P(3)} + I_{P(5)}}{2}$$

The temperature variation  $I_{OT}$  of the electrical offset current  $I_{OE}$  is the variation of the electrical offset from 25 °C to the considered temperature

$$I_{OT}(T) = I_{OE}(T) - I_{OE}(25^\circ\text{C})$$

### Delay times

The delay time  $t_{D10}$  @ 10 % and the delay time  $t_{D80}$  @ 80 % with respect to the primary are shown in the next figure. Both slightly depend on the primary current  $di/dt$ . They are measured at nominal current.

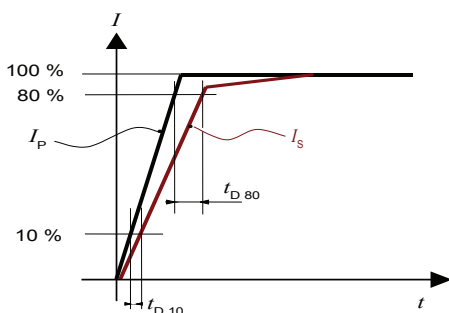


Figure 4:  $t_{D10}$  (delay time @ 10 %) and  $t_{D80}$  (delay time @ 80 %)

### Total error referred to primary

The total error  $\epsilon_{tot}$  is the error at  $\pm I_{PN}$ , relative to the rated value  $I_{PN}$ .

It includes all errors mentioned above

- the electrical offset  $I_{OE}$
- the magnetic offset  $I_{OM}$
- the sensitivity error  $\epsilon_s$
- the linearity error  $\epsilon_L$  (to  $I_{PN}$ ).

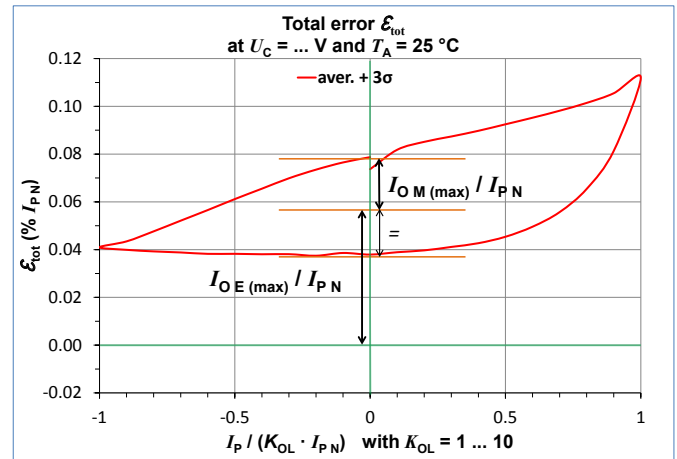


Figure 5: Total error  $\epsilon_{tot}$

### Definition of typical, minimum and maximum values

Minimum and maximum values for specified limiting and safety conditions have to be understood as such as well as values shown in "typical" graphs.

On the other hand, measured values are part of a statistical distribution that can be specified by an interval with upper and lower limits and a probability for measured values to lie within this interval.

Unless otherwise stated (e.g. "100 % tested"), the LEM definition for such intervals designated with "min" and "max" is that the probability for values of samples to lie in this interval is 99.73 %.

For a normal (Gaussian) distribution, this corresponds to an interval between -3 sigma and +3 sigma. If "typical" values are not obviously mean or average values, those values are defined to delimit intervals with a probability of 68.27 %, corresponding to an interval between -sigma and +sigma for a normal distribution.

Typical, maximal and minimal values are determined during the initial characterization of the product.



## Application information

### Filtering and decoupling

#### Supply voltage $U_C$

The transducer has internal decoupling capacitors, but in the case of a power supply with high impedance, it is highly recommended to provide local decoupling (100 nF or more, located close to the transducer) as it may reduce disturbance on transducer output  $U_{out}$  and reference  $U_{ref}$  due to high varying primary current. The transducer power supply rejection ratio is low at high frequency.

#### Output $U_{out}$

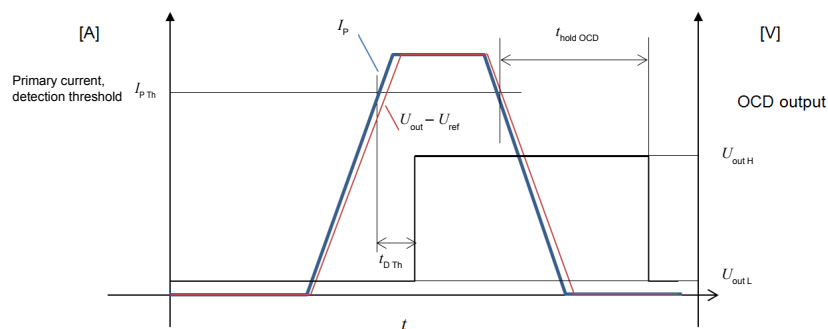
The output  $U_{out}$  has a very low output impedance of typically 1 Ohm; it can drive capacitive loads of up to 100 nF directly. Adding series resistance  $R_f$  of several tenths of Ohms allows much larger capacitive loads  $C_f$  (higher than 1  $\mu$ F). Empirical evaluation may be necessary to obtain optimum results. The minimum load resistance on  $U_{out}$  is 1 kOhm.

#### Reference $U_{ref}$

Likewise output  $U_{out}$ , the  $U_{ref}$  has a very low output impedance of typically 1 Ohm; it can drive capacitive loads of up to 100 nF directly. Adding series resistance  $R_f$  of several tenths of Ohms allows much larger capacitive loads  $C_f$  (higher than 1  $\mu$ F). Empirical evaluation may be necessary to obtain optimum results. The minimum load resistance on  $U_{ref}$  is 10 kOhms.

### Overcurrent detection definition

The overcurrent detection function generates an output signal to the OCD pin whenever the primary current exceeds a pre-programmed threshold value. Once the overcurrent event is detected, the CMOS-type OCD signal changes from low logic (< 30 %  $U_C$ ) to high logic value (> 70 %  $U_C$ ). In order to avoid undesirable glitches, the OCD signal is digitally filtered and the OCD signal output is held for 1 ms in high logic value after the last overcurrent event detection.



Parameter	Symbol	Unit	Min	Typ	Max	Comment
High-level output voltage	$U_{outH}$	V	3.5			With $U_C = +5$ V and source current of 3 mA
Low-level output voltage	$U_{outL}$	V			1.5	With $U_C = +5$ V and sink current of 3 mA

### Total primary resistance

The primary resistance is 0.5 m $\Omega$  per conductor.

### External reference voltage

The REF pin can be used either as a reference voltage output or as a reference voltage input. When used in reference voltage output, the internal reference voltage  $U_{ref}$  is used by the transducer as the reference point for bipolar measurements. The internal reference voltage output accuracy is defined in the electrical parameter data. When used in reference voltage input, an external reference voltage is connected to the REF pin. In this case, the maximum allowable reference voltage range is 0.5 V - 2.75 V. The REF pin must be able to source or sink an input current of 1.5 mA maximum. If the reference voltage is not used, the REF pin should be left unconnected. The following graph shows the  $I_p$  current versus forced extreme external  $U_{ref}$ .

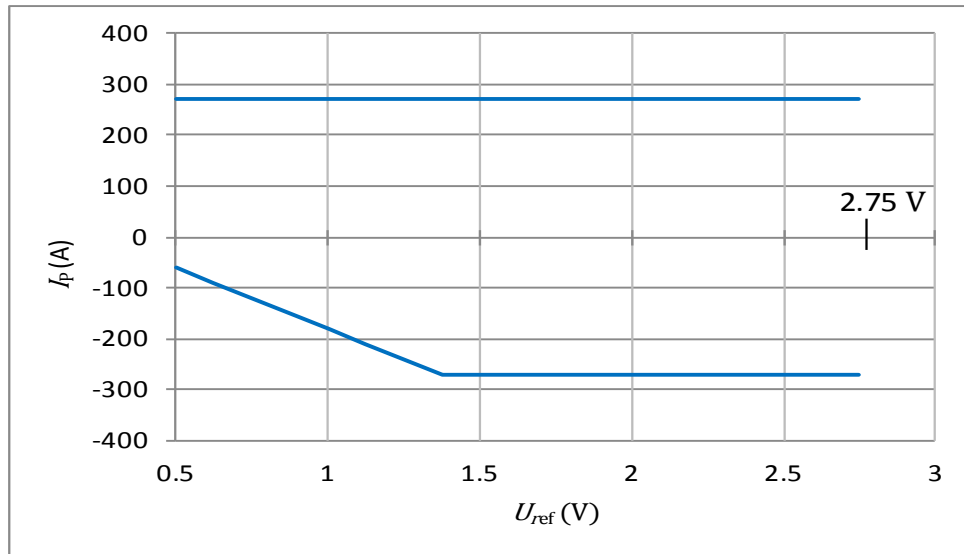


Figure 6: Measuring range versus external  $U_{ref}$

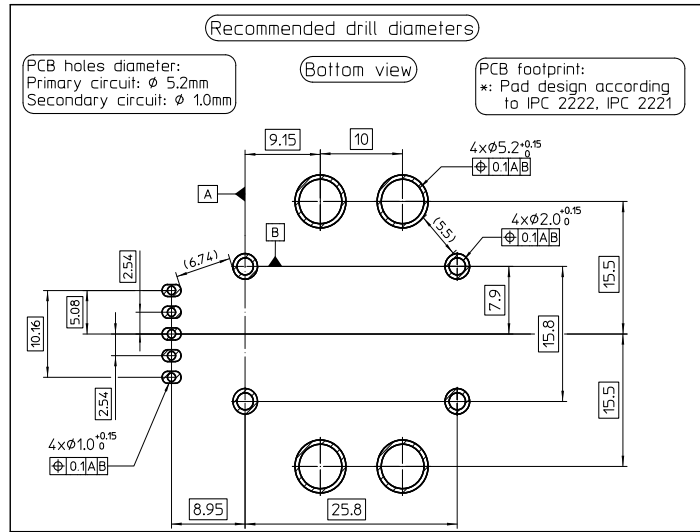
Upper limit:  $I_p = 270$  ( $U_{ref} = 0.5 \text{ V} \dots 2.75 \text{ V}$ )

Lower limit:  $I_p = -240 * U_{ref} + 60$  ( $U_{ref} = 0.5 \text{ V} \dots 1.37 \text{ V}$ )  
 $I_p = -270$  ( $U_{ref} = 1.37 \text{ V} \dots 2.75 \text{ V}$ )

*Example with  $U_{ref} = 1.25 \text{ V}$ :*  
 The transducer has a measuring range from -240 A to +270 A.

*Example with  $U_{ref} = 0.5 \text{ V}$ :*  
 The transducer has a measuring range from -60 A to +270 A.

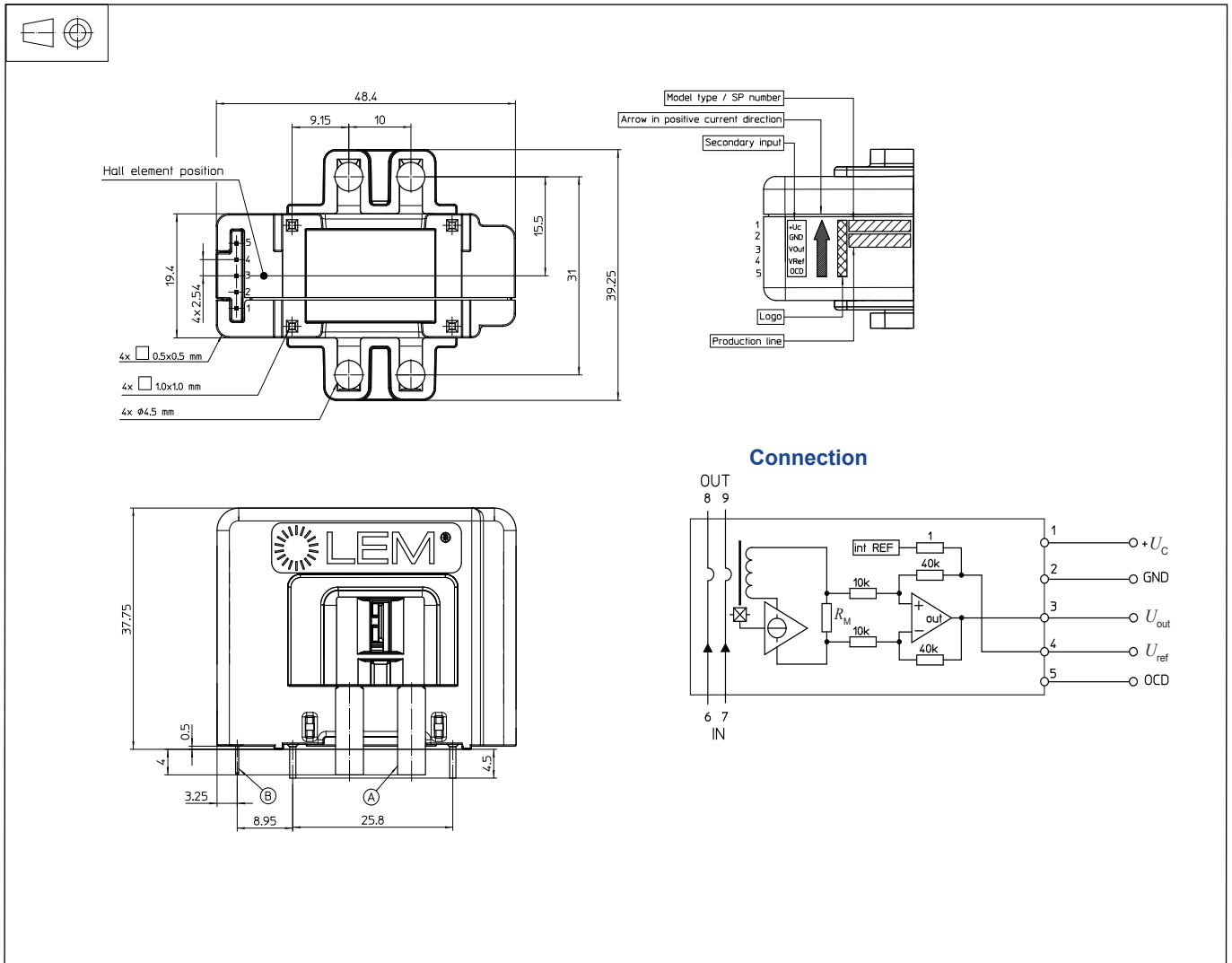
PCB footprint according to the product (in mm)



Assembly on PCB

- Recommended PCB hole diameter
  - 5.2 mm for primary pin
  - 1 mm for secondary pin
  - 2 mm for retention pin
- Maximum PCB thickness
  - 2.9 mm
- Wave soldering profile
  - maximum 260 °C for 10 s
  - No clean process only

Dimensions (in mm)



Mechanical characteristics

- General tolerance  $\pm 0.6$  mm

Remarks

- Be aware of the influence of the external field if nearby transducers are too close (relay, capacitor, choke...).
- Installation of the transducer must be done, unless otherwise specified on the datasheet, according to LEM Transducer Generic Mounting Rules. Please refer to LEM document N°ANE120504 available on our web site: <https://www.lem.com/en/file/3137/download/>.

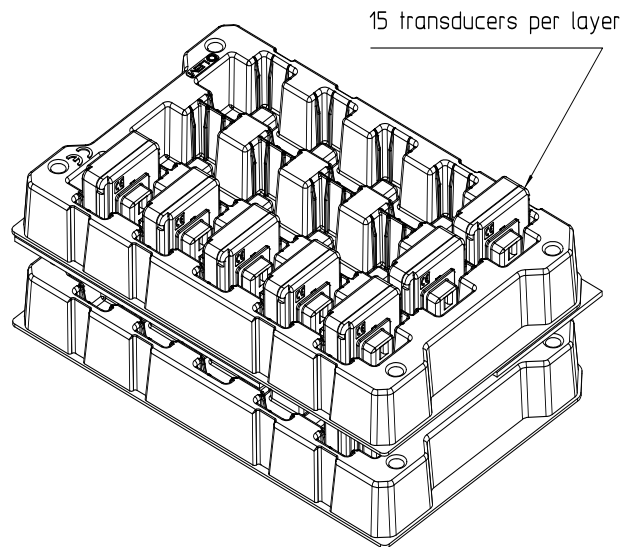
## Packaging information

Standard delivery in cardboard: L × W × H: 315 × 200 × 120 mm

Each cardboard contains 30 parts, placed into 2 Polystyrene-made trays of 15 parts each one.

Both trays and cardboard are ESD-compliant.

The typical weight of the cardboard is 2.3 Kg.



单击下面可查看定价，库存，交付和生命周期等信息

[>>LEM\(莱姆\)](#)