

## AUTOMOTIVE CURRENT TRANSDUCER OPEN LOOP TECHNOLOGY

### HC5FW 400-S/SP1



#### Introduction

The HC5FW family is for the electronic measurement of DC, AC or pulsed currents in high power and low voltage automotive applications with galvanic separation between the primary circuit (high power) and the secondary circuit (electronic circuit).

The HC5FW family gives you the choice of having different current measuring ranges in the same housing.

#### Features

- Open Loop transducer using the Hall effect
- Low voltage application
- Unipolar + 5 V DC power supply
- Primary current measuring range up to  $\pm 400$  A
- Maximum RMS primary current limited by the busbar, the magnetic core or the ASIC temperature  $T^\circ < + 150$  °C
- Operating temperature range:  $- 40$  °C  $< T^\circ < + 125$  °C
- Output voltage: full ratiometric (sensitivity and offset)
- High speed transducer.

#### Special feature

- Cover without sleeve (reduced insulation).

#### Advantages

- Good accuracy
- Good linearity
- Low thermal offset drift
- Low thermal sensitivity drift.

#### Automotive applications

- Electrical Power Steering
- Starter Generators
- Converters.

#### Principle of HC5FW Family

The open loop transducers use a Hall effect integrated circuit. The magnetic flux density  $B$ , contributing to the rise of the Hall voltage, is generated by the primary current  $I_p$  to be measured. The current to be measured  $I_p$  is supplied by a current source i.e. battery or generator (Figure 1).

Within the linear region of the hysteresis cycle,  $B$  is proportional to:

$$B(I_p) = \text{constant}(a) \times I_p$$

The Hall voltage is thus expressed by:

$$V_H = (R_H/d) \times I \times \text{constant}(a) \times I_p$$

Except for  $I_p$ , all terms of this equation are constant. Therefore:

$$V_H = \text{constant}(b) \times I_p$$

The measurement signal  $V_H$  amplified to supply the user output voltage or current.

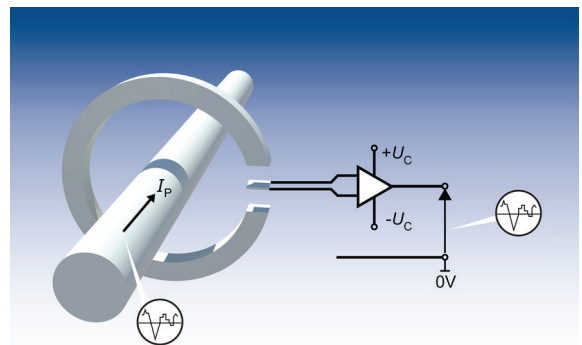
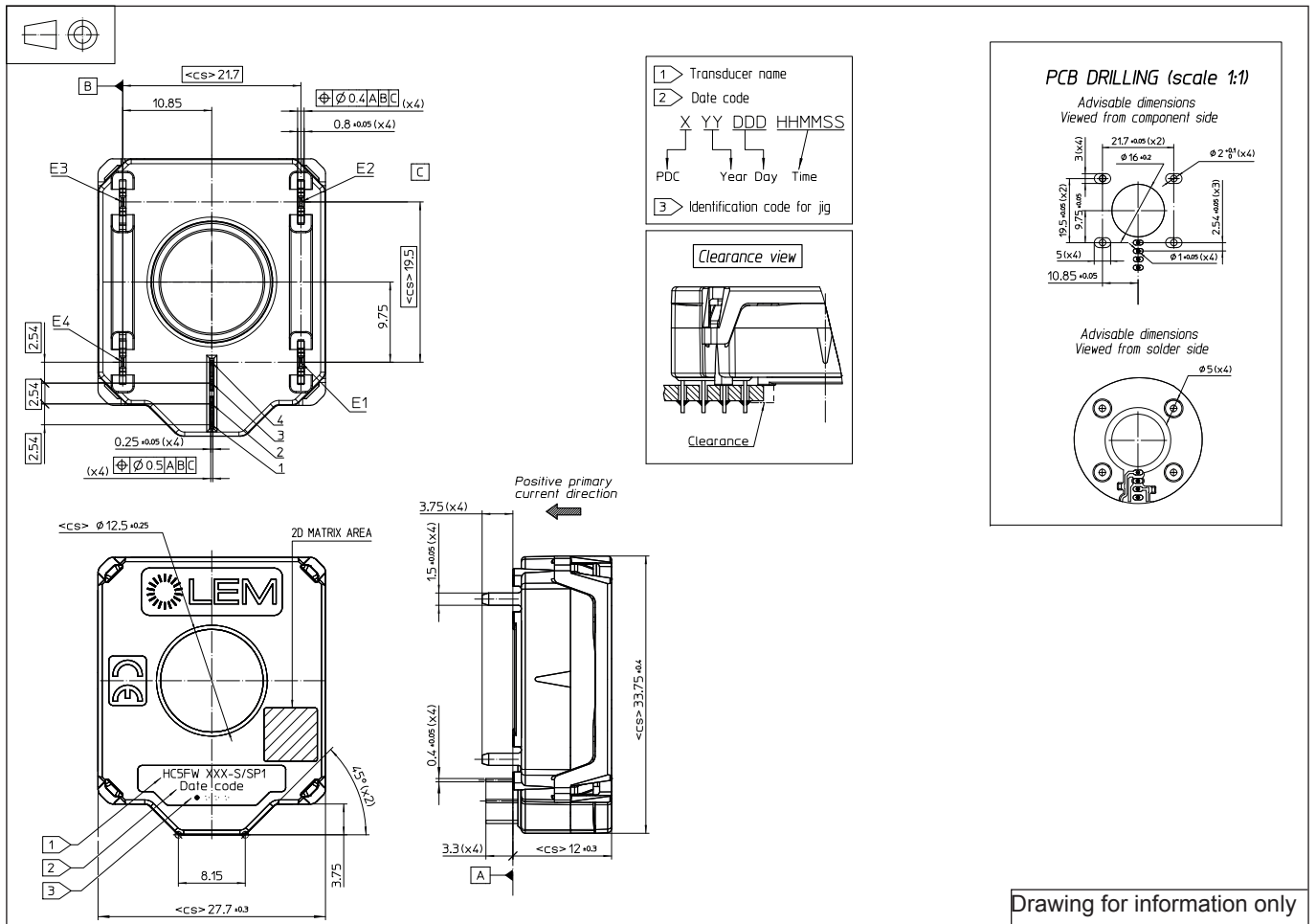


Fig. 1: Principle of the open loop transducer

### Dimensions HC5FW 400-S/SP1 series (in mm)



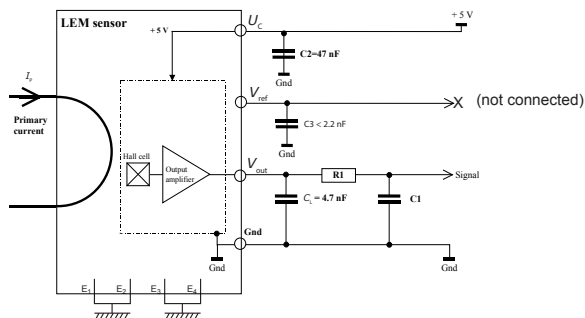
#### Mechanical characteristics

- Plastic case PA 66 GF 25
- Magnetic core FeSi alloy
- Mass 27.5 g
- Electrical terminal coating Tin plated

#### Mounting recommendation

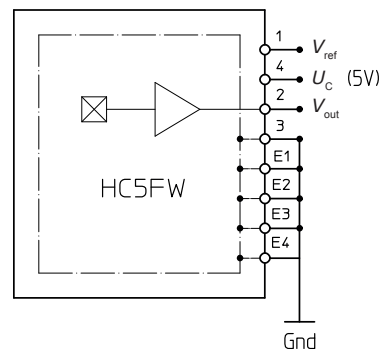
- Connector type None
- Assembly torque max None
- Soldering profile See page 7

#### Electronic schematic



#### Remarks

- $I_p = \left( \frac{5}{U_c} \times V_{out} - V_0 \right) \times \frac{1}{G}$  with G in (V/A)
- $V_{out} > V_0$  when  $I_p$  flows in the positive direction (see arrow on drawing).
- R1, C1: low pass filter (optional).



## HC5FW 400-S/SP1

### Absolute ratings (not operating)

Parameter	Symbol	Unit	Specification			Conditions
			Min	Typical	Max	
Maximum supply voltage	$U_C$	V			8	not operating
					6.5	Exceeding this voltage may temporary reconfigure the circuit until the next power-on
Max primary current peak	$\hat{I}_P$	A			3)	
Ambient storage temperature	$T_S$	°C	- 40		125	
Electrostatic discharge voltage	$U_{ESD}$	kV			2	JESD22-A114-B class 2
Maximum admissible vibration (random)	$\gamma$	$m \cdot s^{-2}$	90			10 to 1000 Hz
RMS voltage for AC insulation test, 50 Hz, 1 min	$U_d$	kV			2.5	50 Hz, 1 min, IEC 60664 part1
Isolation resistance	$R_{IS}$	MΩ	500			
Creepage distance	$d_{Cp}$	mm	3.6			
Clearance	$d_{Cl}$	mm	2.7			
Comparative tracking index	$CTI$	V	550			
Maximum reverse current	$I_R$	mA	- 80		80	

### Operating characteristics in nominal range ( $I_{PN}$ )

Parameter	Symbol	Unit	Specification			Conditions
			Min	Typical	Max	
<b>Electrical Data</b>						
Primary current, measuring range	$I_{PM}$	A	- 400		400	
Primary nominal DC or rms current	$I_{PN}$	A	- 400		400	
Supply voltage <sup>1)</sup>	$U_C$	V	4.75	5.00	5.25	
Ambient operating temperature	$T_A$	°C	- 40		125	
Output voltage (Analog)	$V_{out}$	V	$V_{out} = (U_C/5) \cdot (V_o + G \cdot I_p)$			@ $U_C$
Sensitivity	$G$	mV/A		5		@ $U_C = 5$ V
Offset voltage	$V_O$	V		2.5		@ $T_A = 25$ °C, @ $U_C = 5$ V, Hysteresis included
Current consumption	$I_C$	mA		19	25	@ $U_C = 5$ V, - 40 °C < $T_A$ < 125 °C
Load resistance	$R_L$	KΩ	10			
Capacitive loading	$C_L$	nF		4.7	6.8	
Output internal resistance	$R_{out}$	Ω			10	DC to 1 KHz
<b>Performance Data <sup>1)</sup></b>						
Ratiometric error	$\epsilon_r$	%		0.5		
Sensitivity error	$\epsilon_G$	%		± 0.6		@ $T_A = 25$ °C
Electrical offset voltage	$V_{OE}$	mV		± 2.5		@ $T_A = 25$ °C, @ $U_C = 5$ V
Magnetic offset voltage	$V_{OM}$	mV		± 2		@ $T_A = 25$ °C, @ $U_C = 5$ V, after ± $I_p$
Global accuracy @ 0 A	$X_G$	mV	- 13		13	@ $T_A = 25$ °C, @ $U_C = 5$ V, Hysteresis included
Average temperature coefficient of $V_{OE}$	$TCV_{OEAV}$	mV/°C	- 0.08		0.08	@ - 40 °C < $T$ < 125 °C
Average temperature coefficient of $G$	$TCG_{AV}$	%/°C	- 0.03		0.03	@ - 40 °C < $T$ < 125 °C
Linearity error	$\epsilon_L$	% $I_p$	- 1		1	Of full range
Step response time to 90 % $I_{PN}$	$t_r$	μs		2	6	$di/dt = 100$ A/μs
Frequency bandwidth <sup>2)</sup>	$BW$	kHz	40			@ - 3 dB
Phase shift	$\Delta\phi$	°C	- 4		0	@ DC to 1 kHz
Minimum output voltage	$V_{SZ}$	V			0.2	@ $U_C = 5$ V
Maximum output voltage		V	4.8			@ $U_C = 5$ V
Output voltage noise peak-peak	$V_{no-p-p}$	mV			13	DC to 1 MHz

Notes: <sup>1)</sup> The output voltage  $V_{out}$  is fully ratiometric. The offset and sensitivity are dependent on the supply voltage  $U_C$  relative to the following formula:

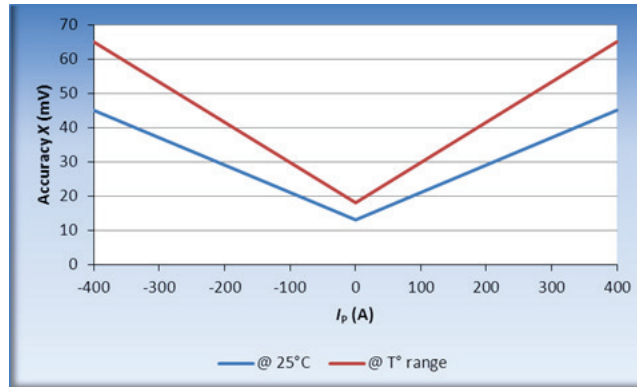
$$I_e = \left( \frac{5}{U_C} \times V_{out} - V_o \right) \times \frac{1}{G} \quad \text{with } G \text{ in (V/A)}$$

<sup>2)</sup> Small signal only to avoid excessive heating of the busbar, core and heating. Measurement with  $C3 = 1$  nF

<sup>3)</sup> Busbar temperature must be below 150 °C.

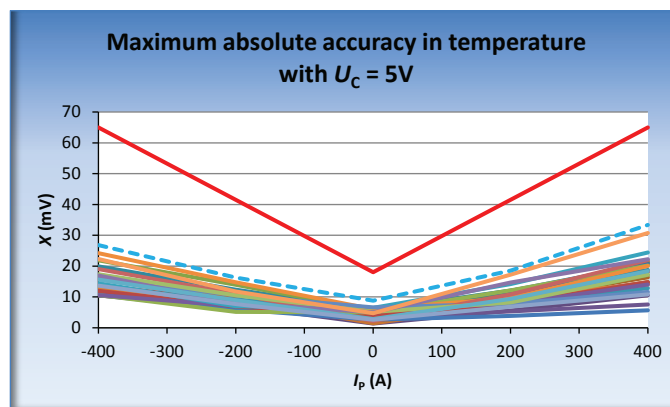
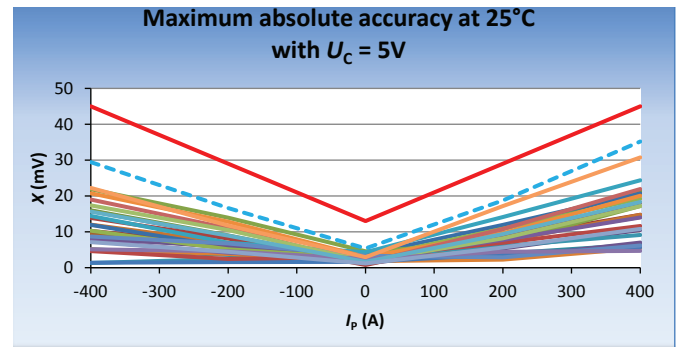
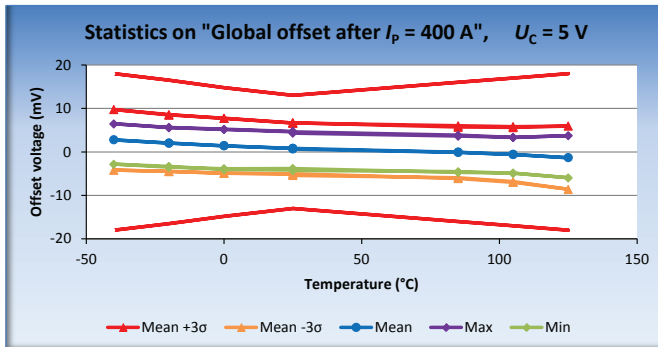
## HC5FW 400-S/SP1

### Global Absolute Error (mV)



$I_p$ (A)	Accuracy @ 25 °C (mV)	Accuracy @ T° Range (mV)
- 400	± 45	± 65
0	± 13	± 18
400	± 45	± 65

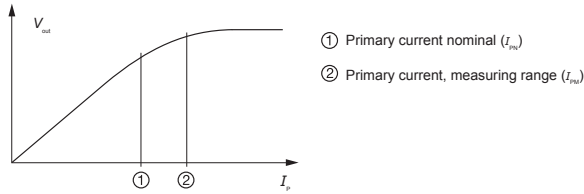
Accuracy error specified at  $\pm 3$  sigma.



Curves in red line represent the tolerance  
Curves in dotted blue line represent average + 3 sigma.

## PERFORMANCES PARAMETERS DEFINITIONS

### Primary current definition:



### Definition of typical, minimum and maximum values:

Minimum and maximum values for specified limiting and safety conditions have to be understood as such as values shown in “typical” graphs. On the other hand, measured values are part of a statistical distribution that can be specified by an interval with upper and lower limits and a probability for measured values to lie within this interval. Unless otherwise stated (e.g. “100 % tested”), the LEM definition for such intervals designated with “min” and “max” is that the probability for values of samples to lie in this interval is 99.73 %. For a normal (Gaussian) distribution, this corresponds to an interval between -3 sigma and +3 sigma. If “typical” values are not obviously mean or average values, those values are defined to delimit intervals with a probability of 68.27 %, corresponding to an interval between -sigma and +sigma for a normal distribution. Typical, maximal and minimal values are determined during the initial characterization of a product.

### Output noise voltage:

The output voltage noise is the result of the noise floor of the Hall elements and the linear amplifier.

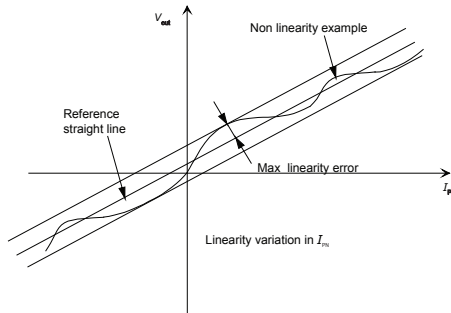
### Magnetic offset:

The magnetic offset is the consequence of an over-current on the primary side. It's defined after an excursion of  $I_{PN}$ .

### Linearity:

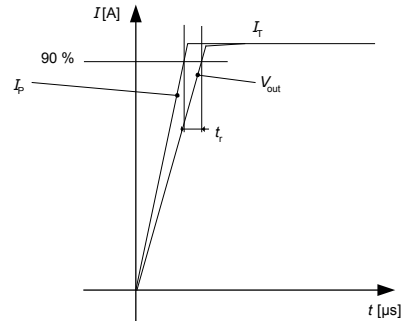
The maximum positive or negative discrepancy with a reference straight line  $V_{out} = f(I_p)$ .

Unit: linearity (%) expressed with full scale of  $I_{PN}$ .



### Response time (delay time) $t_r$ :

The time between the primary current signal ( $I_{PN}$ ) and the output signal reach at 90 % of its final value.



### Sensitivity:

The transducer's sensitivity  $G$  is the slope of the straight line  $V_{out} = f(I_p)$ , it must establish the relation:  
 $V_{out}(I_p) = U_C/5 (G \cdot I_p + V_0)$ .

### Offset with temperature:

The error of the offset in the operating temperature is the variation of the offset in the temperature considered with the initial offset at 25 °C.

The offset variation  $I_{OT}$  is a maximum variation the offset in the temperature range:

$$I_{OT} = I_{OE \max} - I_{OE \min}$$

The offset drift  $TCI_{OEAV}$  is the  $I_{OT}$  value divided by the temperature range.

### Sensitivity with temperature:

The error of the sensitivity in the operating temperature is the relative variation of sensitivity with the temperature considered with the initial offset at 25 °C.

The sensitivity variation  $G_T$  is the maximum variation (in ppm or %) of the sensitivity in the temperature range:

$$G_T = (\text{Sensitivity max} - \text{Sensitivity min}) / \text{Sensitivity at } 25 \text{ }^\circ\text{C}$$

The sensitivity drift  $TCG_{AV}$  is the  $G_T$  value divided by the temperature range. Deeper and detailed info available is our LEM technical sales offices ([www.lem.com](http://www.lem.com)).

### Offset voltage @ $I_p = 0 \text{ A}$ :

The offset voltage is the output voltage when the primary current is null. The ideal value of  $V_0$  is  $U_C/2$  at  $U_C = 5 \text{ V}$ . So, the difference of  $V_0 - U_C/2$  is called the total offset voltage error. This offset error can be attributed to the electrical offset (due to the resolution of the ASIC quiescent voltage trimming), the magnetic offset, the thermal drift and the thermal hysteresis. Deeper and detailed info available is our LEM technical sales offices ([www.lem.com](http://www.lem.com)).

## HC5FW 400-S/SP1

### Environmental test specifications:

Refer to LEM GROUP test plan laboratory CO.11.11.515.0 with "Tracking\_Test Plan\_Auto" sheet.

Name	Standard
<b>THERMAL FATIGUE</b>	
Ageing 85 °C / 85 % HR / 1000 h Thermal cycle test - 40 °C / 125 °C / 1000 h Thermal shocks - 40 °C / 125 °C / 1000 h High temperature storage at 125 °C / 1000 h Low temperature storage at - 50 °C / 1000 h	IEC 60068-2-78 (2001) IEC 60068-2-14 test Nb (01.2009) IEC 60068-2-14 test Na (01.2009) IEC 60068-2-2 (07.2007) IEC 60068-2-1 (03.2007)
<b>MECHANICAL FATIGUE</b>	
Shocks test (50 m·s <sup>-2</sup> x 10 x 3 axis) Vibration test (random 10 - 2000 Hz / 9.723 g)	IEC 60068-2-27 test Ea (2008)
<b>ELECTRICAL TESTS</b>	
Phase delay Output noise di/dt (100 A/μs) dv/dt (2 kVA/μs to 2 kV) Withstand voltage (2500 V rms - 50 Hz / 1 min) Insulation resistance (500 Vdc / 1 min)	-- 98.20.00.575.0 98.20.00.545.0 98.20.00.545.0 ISO 16750-2 (2012)
<b>EMC TESTS</b>	
Radiated Emissions: Absorber Lined Shielded Enclosure (ALSE) Radiated Immunity: Bulk Current Injection (BCI) Radiated Immunity: Anechoic chamber Resistance to Electrostatic Discharge Voltage	IEC CISPR25 ISO 11452-1 & -4 ISO 11452-1 & -2 ISO 10605 (2001)

## HC5FW 400-S/SP1

### Soldering recommendations:

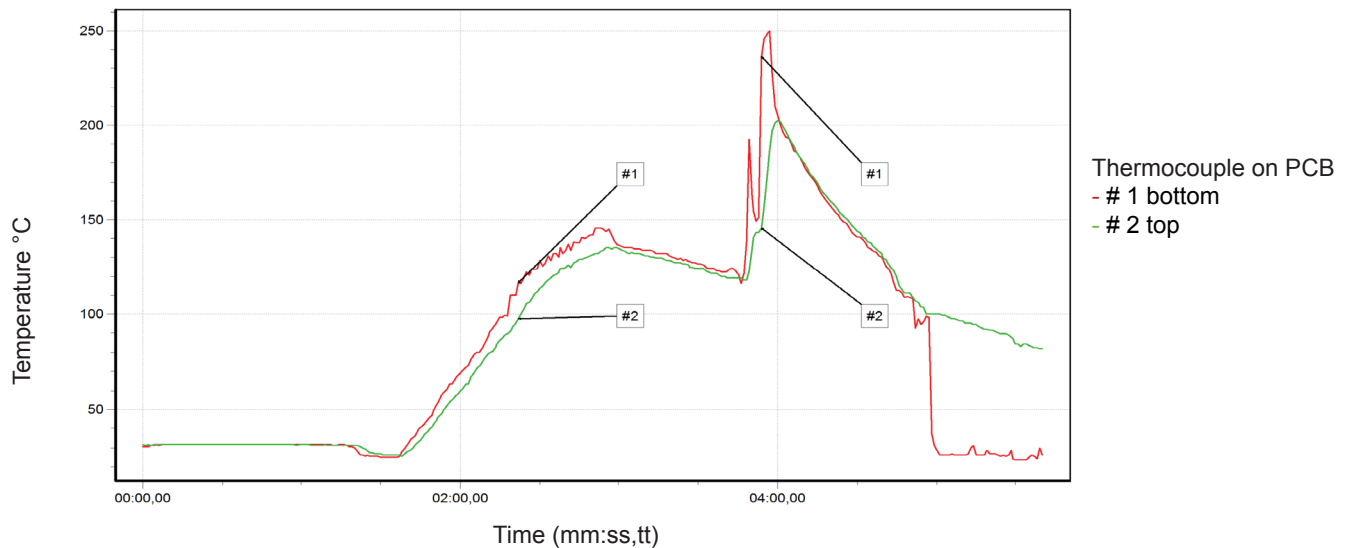
1 - Iron Soldering plated-through holes device

- Mass pin (E1 to E4 see on drawing page 2): 200 W / 370 °C Iron temperature / 7 mm flat W200 Weller
- ASIC terminals (1,2,3,4 see on drawing page 2): 80 W / 410 °C Iron temperature / 0.8 mm diameter STTC125 - Metcal

2 - Wave soldering plated-through holes device

LEM recommends to use the following equipment/parameters for the soldering of the HC5FW family in order to be compliant with the IPC A-610 (less than 75 % land coverage):

- Machine VITRONICS SOLTEC 6622 in combi wave mode
- Flux SLS 65
- Sn96 lead free solder (SAC 305)
- Temperature profile as below
- PCB 2143-00 - thickness: 1.6 mm - mass pin E1 to E4: hole  $\varnothing$  2 - Asic pin: hole  $\varnothing$  1.



3 - SMD soldering by pin in paste STH (SMD through hole)

- Must be validated by user
- ASIC MSL 1 level.

单击下面可查看定价，库存，交付和生命周期等信息

[>>LEM\(莱姆\)](#)