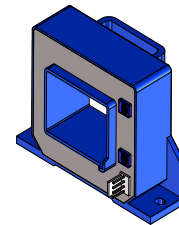


Current Transducer HAT 750-S

For the electronic measurement of currents: DC, AC, pulsed,...., with galvanic separation between the primary circuit and the secondary circuit.

$$I_{PN} = 750 \text{ A}$$

$$U_{out} = \pm 4 \text{ V}$$



Electrical data

I_{PN}	Primary nominal RMS current	750	A
I_{PM}	Primary current, measuring range ¹⁾	± 2250	A
U_C	Supply voltage ($\pm 5\%$) ¹⁾	± 15	V
I_C	Current consumption (max)	± 20	mA
R_{INS}	Insulation resistance @ 500 V DC	> 1000	M Ω
U_{out}	Output voltage (Analog) @ $\pm I_{PN}$, $R_L = 10 \text{ k}\Omega$, $T_A = 25^\circ\text{C}$	± 4	V
R_{out}	Output internal resistance	100	Ω
R_L	Load resistance	> 10	k Ω

Accuracy - Dynamic performance data

ε	Error @ I_{PN} , $T_A = 25^\circ\text{C}$ (excluding offset)	< ± 1	% of I_{PN}
ε_L	Linearity error ²⁾ (0 ... $\pm I_{PN}$)	< ± 1	% of I_{PN}
U_{OE}	Electrical offset voltage @ $T_A = 25^\circ\text{C}$	< ± 20	mV
U_{OH}	Hysteresis offset voltage @ $I_p = 0$, after an excursion of $1 \times I_{PN}$	< ± 10	mV
TCU_{OE}	Temperature coefficient of U_{OE}	-40 °C ... +80 °C < ± 1 +80 °C ... +105 °C < ± 1.5	mV/K mV/K
TCU_{out}	Temperature coefficient of U_{out} (% of reading)	< ± 0.1	%/K
t_{D90}	Delay ³⁾ time to 90 % of I_{PN}	< 5	μs
BW	Frequency bandwidth (-3 dB) ⁴⁾	DC ... 25	kHz

General data

T_A	Ambient operating temperature	-40 ... +105	°C
T_S	Ambient storage temperature	-40 ... +105	°C
m	Mass	300	g
	Standards	EN 50178: 1997 UL 508: 2010 ⁵⁾	

Notes: ¹⁾ Operating at $\pm 12 \text{ V} \leq U_C < \pm 15 \text{ V}$ will reduce the measuring range

²⁾ Linearity data exclude the electrical offset

³⁾ For a $di/dt > 50 \text{ A}/\mu\text{s}$

⁴⁾ Please refer to derating curves in the technical file to avoid excessive core heating at high frequency

⁵⁾ UL conform is only applicable @ $T_A = -40^\circ\text{C} \dots +85^\circ\text{C}$.

Features

- Hall effect measuring principle
- Insulating plastic case recognized according to UL 94-V0.

Advantages

- Easy installation
- Low power consumption
- Small size and space saving
- Only one design for wide current ratings range
- High immunity to external interference.

Applications

- AC variable speed drives
- DC motor drives
- Battery supplied applications
- Uninterruptible Power Supplies (UPS)
- Switched Mode Power Supplies (SMPS)
- Power supplies for welding applications.

Application domain

- Industrial.

Current Transducer HAT 750-S

Insulation coordination

U_d	RMS voltage for AC insulation test, 50 Hz, 1 min	4.9	kV
U_{Ni}	Impulse withstand voltage 1.2/50 μ s	> 9.9	kV
		Min	
d_{cp}	Creepage distance	11	mm
d_{ci}	Clearance	11	mm
CTI	Comparative tracking index (group IIIa)	275	

Applications examples

According to EN 50178 and IEC 61010-1 standards and following conditions:

- Over voltage category III
- Pollution degree PD2
- Non-uniform field

	EN 50178	IEC 61010-1
d_{cp}, d_{ci}, U_{Ni}	Rated insulation voltage	Nominal voltage
Basic insulation	1100 V	1100 V
Reinforced insulation	550 V	550 V

Safety

This transducer must be used in limited-energy secondary circuits according to IEC 61010-1.



This transducer must be used in electric/electronic equipment with respect to applicable standards and safety requirements in accordance with the manufacturer's operating instructions.



Caution, risk of electrical shock

When operating the transducer, certain parts of the module can carry hazardous voltage (eg. primary busbar, power supply).

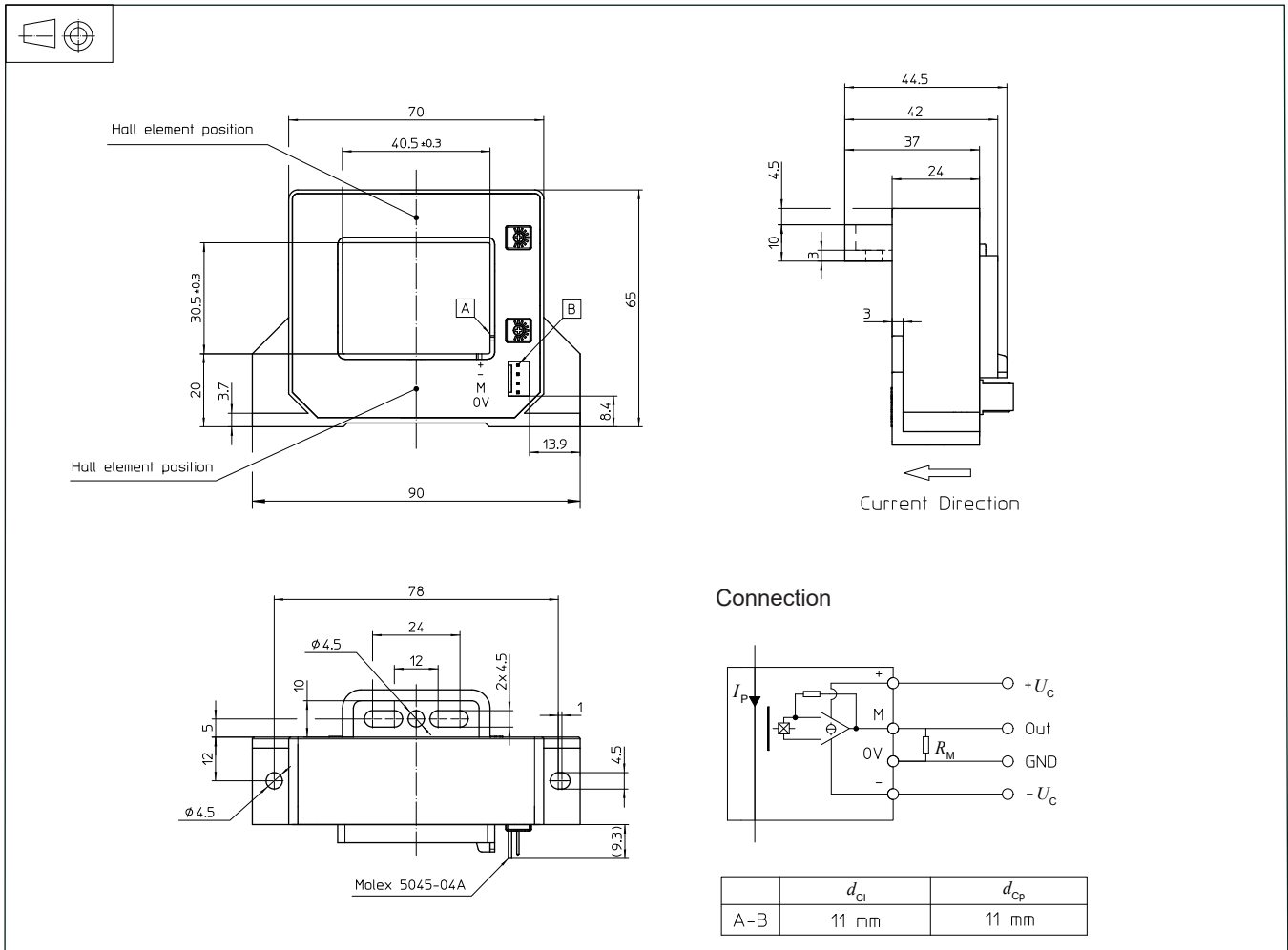
Ignoring this warning can lead to injury and/or cause serious damage.

This transducer is a build-in device, whose conducting parts must be inaccessible after installation.

A protective housing or additional shield could be used.

Main supply must be able to be disconnected.

Dimensions HAT 750-S (in mm)



Mechanical characteristics

- General tolerance ± 1 mm
- Transducer fastening By base-plate or on busbar with M4 screws
All holes $\varnothing 4.5$ mm
- Recommended fastening torque 1.2 N·m (± 10 %)
- Connection of secondary Molex 5045-04A

Remarks

- U_{out} is positive when I_P flows in the direction of the arrow.
- Temperature of the primary conductor should not exceed 105 °C.
- Installation of the transducer must be done unless otherwise specified on the datasheet, according to LEM Transducer Generic Mounting Rules. Please refer to LEM document N°ANE120504 available on our Web site: <https://www.lem.com/en/file/3137/download/>.

单击下面可查看定价，库存，交付和生命周期等信息

[>>LEM\(莱姆\)](#)