

## General Description

The LTC331/393 single-/dual- channel comparators are drop-in, pin-for-pin compatible replacements for the LMV331/LMV393, and low-voltage versions of TL331/LM393. The devices with open-drain output offer the ultimate combination of high speed (100 ns propagation delay) and very low power consumption (37  $\mu$ A), and feature such as rail-to-rail inputs, low offset voltage (typically 1 mV), large output drive current, and a wide range of supply voltages from 1.8 V to 5.5 V. The devices are very easy to implement in a wide variety of applications where require critical response time, power-sensitive, low-voltage, and/or tight board space.

Advantages of the LTC331/393 also include the added benefit of internal hysteresis provide noise immunity, preventing output oscillations even with slow-moving input signals. Designed with the most modern techniques, the LTC331/393 achieve superior performance over BiCMOS or bipolar versions on the market.

The LTC331 (single) is available in both SOT23-5L and SC70-5L packages. The LTC393 (dual) is offered in DFN-8L, SOIC-8L, MSOP-8L and TSSOP-8L packages. All devices are rated over  $-40^{\circ}\text{C}$  to  $+85^{\circ}\text{C}$  industrial temperature range.

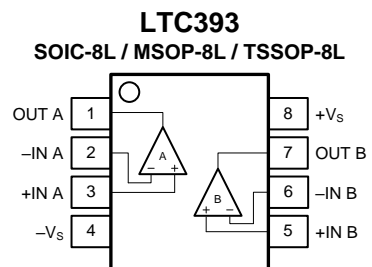
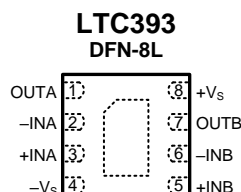
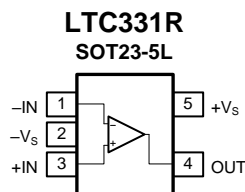
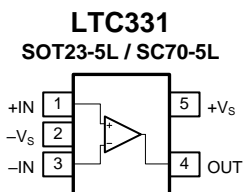
## Features and Benefits

- Micro-power Operating Current (37  $\mu$ A) Preserves Battery Power
- Fast 100 ns Propagation Delay (100-mV Overdrive)
- Single 1.8 V to 5.5 V Supply Voltage Range
  - Can be Powered From the Same 1.8V/2.5V/3.3V/5V System Rails
- Rail-to-Rail Input
- Open-Drain Output Current Drive: 30 mA Typically at 5V Supply
- Internal Hysteresis for Clean Switching
- Internal RF/EMI Filter
- Operating Temperature Range:  $-40^{\circ}\text{C}$  to  $+85^{\circ}\text{C}$

## Applications

- Consumer Accessories
- Portable and Battery-Powered Devices
- Alarms and Monitoring Circuits
- Threshold Detectors and Discriminators
- Logic Level Shifting or Translation
- Zero-Crossing Detectors
- Window Comparators
- IR Receivers
- Line Receivers

## Pin Configurations (Top View)



## Pin Description

Symbol	Description
-IN	Negative input. The voltage range is from ( $V_{S-} - 0.1V$ ) to ( $V_{S+} + 0.1V$ ).
+IN	Positive input. This pin has the same voltage range as -IN.
+V <sub>S</sub>	Positive power supply.
-V <sub>S</sub>	Negative power supply.
OUT	Comparator output.

## Ordering Information <sup>(3)</sup>

Orderable Type Number	Package Name	Package Quantity	Eco Class <sup>(1)</sup>	Operating temperature	Marking Code <sup>(2)</sup>
LTC331YT5/R6	SOT23-5L	3 000	Green (RoHS & no Sb/Br)	-40°C to +85°C	CG7
LTC331YC5/R6	SC70-5L	3 000	Green (RoHS & no Sb/Br)	-40°C to +85°C	CG7
LTC331RYT5/R6	SOT23-5L	3 000	Green (RoHS & no Sb/Br)	-40°C to +85°C	CG9
LTC393YS8/R8	SOIC-8L	4 000	Green (RoHS & no Sb/Br)	-40°C to +85°C	CG8 Y
LTC393YV8/R6	MSOP-8L	3 000	Green (RoHS & no Sb/Br)	-40°C to +85°C	CG8Y
LTC393YT8/R6	TSSOP-8L	3 000	Green (RoHS & no Sb/Br)	-40°C to +85°C	CG8Y
LTC393YF8/R6	DFN2x2-8L	3 000	Green (RoHS & no Sb/Br)	-40°C to +85°C	CG8

(1) Eco Class - The planned eco-friendly classification: Pb-Free (RoHS) or Green (RoHS & Halogen Free).

(2) There may be multiple device markings, a varied marking character of "x", or additional marking, which relates to the logo, the lot trace code information, or the environmental category on the device.

(3) Please contact to your Linearin representative for the latest availability information and product content details.

## Limiting Value

In accordance with the Absolute Maximum Rating System (IEC 60134).

Parameter	Absolute Maximum Rating
Supply Voltage, V <sub>S+</sub> to V <sub>S-</sub>	10.0 V
Signal Input Terminals: Voltage, Current	V <sub>S-</sub> - 0.3 V to V <sub>S+</sub> + 0.3 V, ±10 mA
Output Short-Circuit	Continuous
Storage Temperature Range, T <sub>stg</sub>	-65 °C to +150 °C
Junction Temperature, T <sub>J</sub>	150 °C
Lead Temperature Range (Soldering 10 sec)	260 °C

## ESD Rating

Parameter	Item	Value	Unit
Electrostatic Discharge Voltage	Human body model (HBM), per MIL-STD-883J / Method 3015.9 <sup>(1)</sup>	± 5 000	V
	Charged device model (CDM), per ESDA/JEDEC JS-002-2014 <sup>(2)</sup>	± 2 000	
	Machine model (MM), per JESD22-A115C	± 250	

(1) JEDEC document JEP155 states that 500-V HBM allows safe manufacturing with a standard ESD control process.

(2) JEDEC document JEP157 states that 250-V CDM allows safe manufacturing with a standard ESD control process.

## Electrical Characteristics

$V_S = 5.0V$ ,  $T_A = +25^\circ C$ , unless otherwise noted.

**Boldface limits apply over the specified temperature range,  $T_A = -40$  to  $+85^\circ C$ .**

Symbol	Parameter	Conditions	Min.	Typ.	Max.	Unit
<b>OFFSET VOLTAGE</b>						
$V_{OS}$	Input offset voltage	$V_{CM} = 0$		$\pm 1$	$\pm 5.0$	mV
$V_{OS\ TC}$	Offset voltage drift	$T_A = -40$ to $+85^\circ C$		$\pm 2$		$\mu V/^\circ C$
PSRR	Power supply rejection ratio	$V_S = 1.8$ to $5.5$ V, $V_{CM} < (V_{S+} - 1V)$	70	82		dB
		$T_A = -40$ to $+85^\circ C$	<b>66</b>			
Hyst	Input hysteresis	$V_{CM} = 0$		3		mV
<b>INPUT BIAS CURRENT</b>						
$I_B$	Input bias current	$V_{CM} = V_{S+} / 2$		5	30	pA
		$T_A = -40$ to $+85^\circ C$			<b>800</b>	
$I_{OS}$	Input offset current	$V_{CM} = V_{S+} / 2$		10	50	pA
		$T_A = -40$ to $+85^\circ C$			<b>1,000</b>	
<b>INPUT VOLTAGE RANGE</b>						
$V_{CM}$	Common-mode voltage range		$V_{S-} - 0.1$		$V_{S+} + 0.1$	V
CMRR	Common-mode rejection ratio	$V_S = 5.5$ V, $V_{CM} = -0.1$ to $5.5$ V	61	78		dB
		$V_{CM} = 0$ to $5.3$ V, $T_A = -40$ to $+85^\circ C$	<b>58</b>			
		$V_S = 1.8$ V, $V_{CM} = -0.1$ to $1.8$ V	58	77		
		$V_{CM} = 0$ to $1.6$ V, $T_A = -40$ to $+85^\circ C$	<b>55</b>			
<b>INPUT IMPEDANCE</b>						
$R_{IN}$	Input resistance		100			G $\Omega$
$C_{IN}$	Input capacitance	Differential		2.0		pF
		Common mode		3.5		
<b>OUTPUT</b>						
$V_{OL}$	Low output voltage swing	$I_{SINK} = 1$ mA		50	80	mV
		$T_A = -40$ to $+85^\circ C$			90	
$I_{SC}$	Output short-circuit current	Sink current		-30	-25	mA
<b>POWER SUPPLY</b>						
$V_S$	Operating supply voltage		1.8		5.5	V
$I_Q$	Quiescent current (per comparator)	$V_S = 1.8$ V, $V_{CM} = 0.5V$ , $I_O = 0$		32	40	$\mu A$
		$T_A = -40$ to $+85^\circ C$			<b>50</b>	
		$V_S = 5.5$ V, $V_{CM} = 0.5V$ , $I_O = 0$		37	45	
		$T_A = -40$ to $+85^\circ C$			<b>60</b>	
<b>SWITCHING CHARACTERISTICS</b>						
$t_{PD-}$	Propagation delay time, High to low	Input overdrive = 20 mV, $C_L = 15$ pF		240		ns
		Input overdrive = 100 mV, $C_L = 15$ pF		100		
$t_F$	Fall time	Input overdrive = 20 mV, $C_L = 15$ pF		20		ns
		Input overdrive = 100 mV, $C_L = 15$ pF		10		

CAUTION: These devices are sensitive to electrostatic discharge; follow proper IC Handling Procedures.

Linearin and designs are registered trademarks of Linearin Technology Corporation.

© Copyright Linearin Technology Corporation. All Rights Reserved.

All other trademarks mentioned are the property of their respective owners. Downloaded From [Onyac.com](http://www.onyac.com)

## Electrical Characteristics (continued)

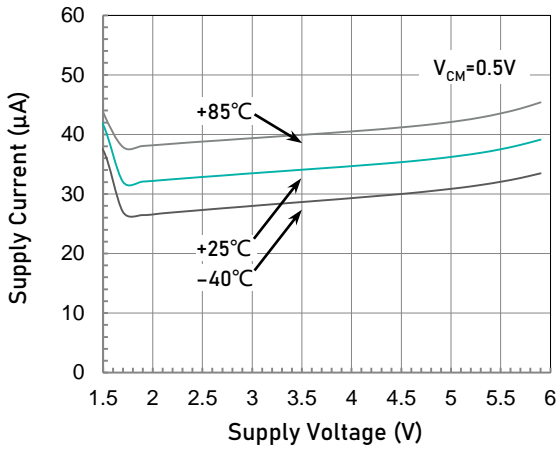
$V_S = 5.0V$ ,  $T_A = +25^\circ C$ , unless otherwise noted.

**Boldface limits apply over the specified temperature range,  $T_A = -40$  to  $+85^\circ C$ .**

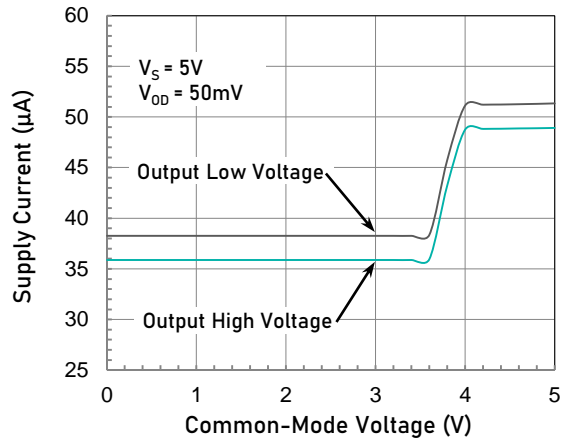
Symbol	Parameter	Conditions	Min.	Typ.	Max.	Unit
<b>THERMAL CHARACTERISTICS</b>						
$T_A$	Operating temperature range		-40		+85	$^\circ C$
$\theta_{JA}$	Package Thermal Resistance	SC70-5L		333		$^\circ C/W$
		SOT23-5L		190		
		DFN2x2-8L		80		
		MSOP-8L		216		
		TSSOP-8L		160		
		SOIC-8L		125		

## Typical Performance Characteristics

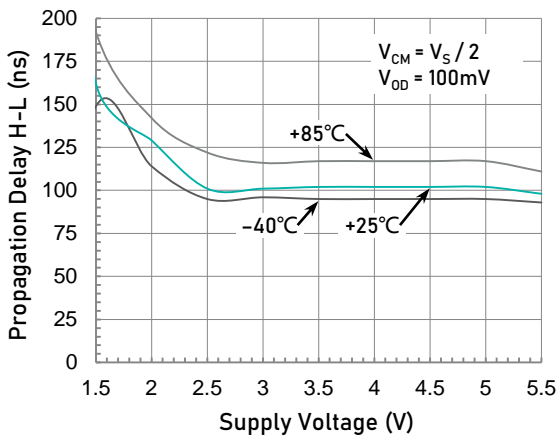
At  $T_A = +25^\circ\text{C}$ ,  $V_S = \pm 2.5\text{V}$ ,  $V_{CM} = V_S/2$ ,  $R_L = 10\text{k}\Omega$  connected to  $V_S/2$ , and  $C_L = 15\text{pF}$ , unless otherwise noted.



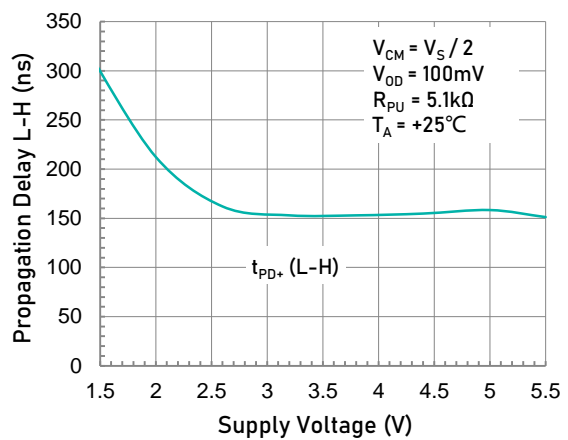
Supply Current vs. Supply Voltage



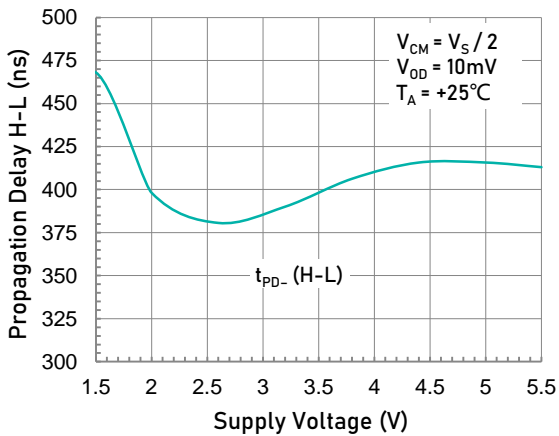
Supply Current vs. Common-Mode Input



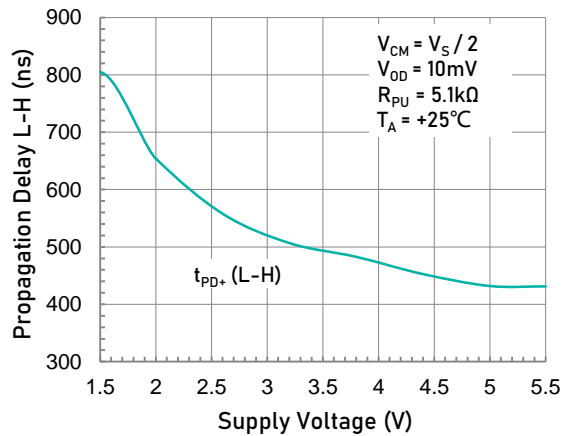
Propagation Delay ( $t_{PHL}$ ) vs. Supply Voltage



Propagation Delay ( $t_{PLH}$ ) vs. Supply Voltage



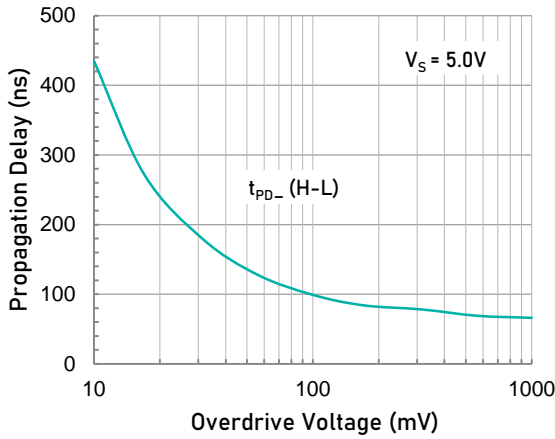
Propagation Delay ( $t_{PHL}$ ) vs. Supply Voltage



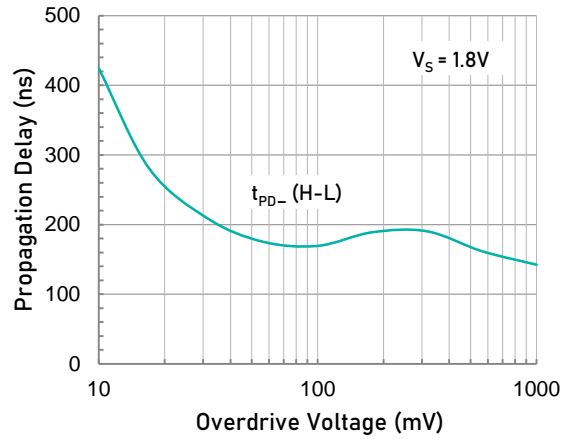
Propagation Delay ( $t_{PLH}$ ) vs. Supply Voltage

### Typical Performance Characteristics

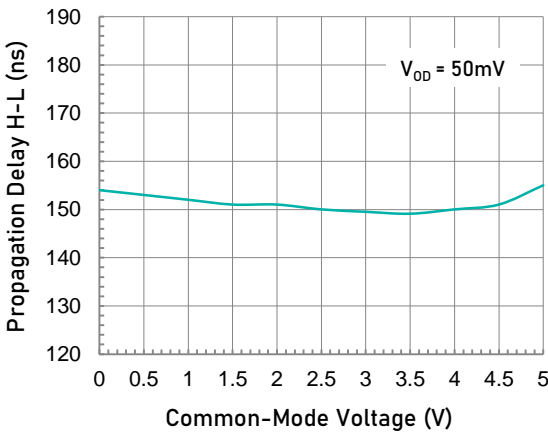
At  $T_A = +25^\circ\text{C}$ ,  $V_S = \pm 2.5\text{V}$ ,  $V_{CM} = V_S/2$ ,  $R_L = 10\text{k}\Omega$  connected to  $V_S/2$ , and  $C_L = 15\text{pF}$ , unless otherwise noted.



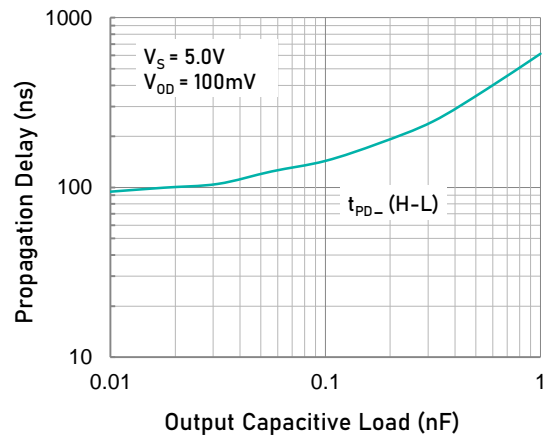
Propagation Delay ( $t_{PHL}$ ) vs. Input Overdrive



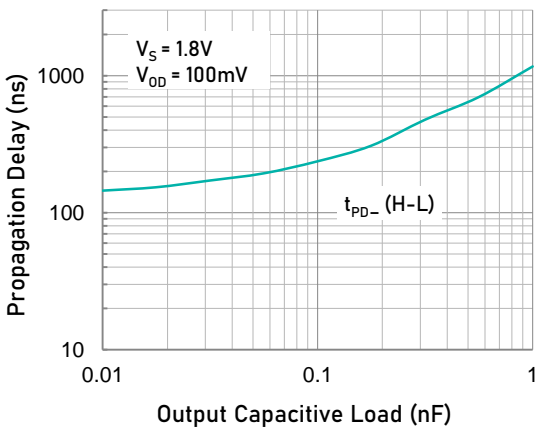
Propagation Delay ( $t_{PHL}$ ) vs. Input Overdrive



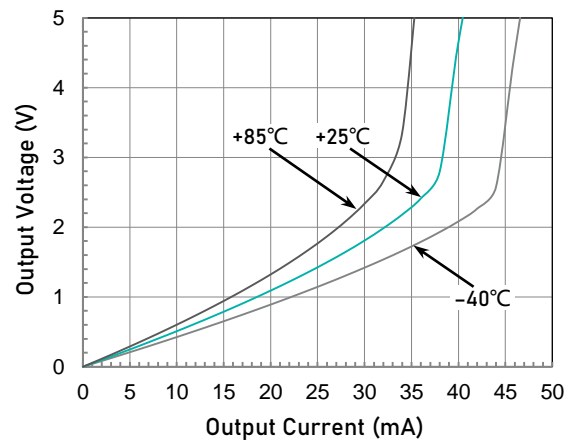
Propagation Delay ( $t_{PHL}$ ) vs. Input Common-Mode



Propagation Delay ( $t_{PHL}$ ) vs. Capacitive Load



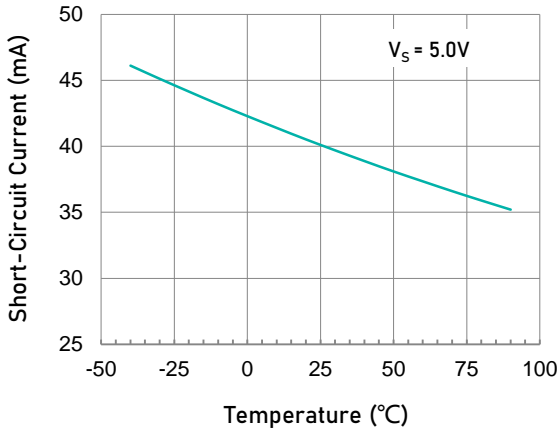
Propagation Delay ( $t_{PHL}$ ) vs. Capacitive Load



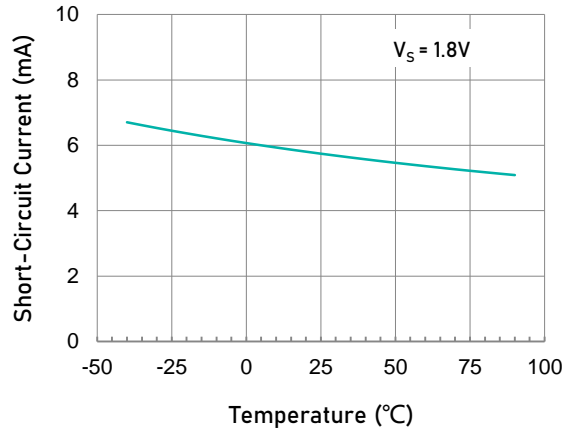
Output Voltage vs. Output Sinking Current

### Typical Performance Characteristics

At  $T_A = +25^\circ\text{C}$ ,  $V_S = \pm 2.5\text{V}$ ,  $V_{CM} = V_S/2$ ,  $R_L = 10\text{k}\Omega$  connected to  $V_S/2$ , and  $C_L = 15\text{pF}$ , unless otherwise noted.



Short Circuit Current vs. Temperature



Short Circuit Current vs. Temperature

## Application Notes

### OPERATING VOLTAGE

The LTC331/LTC393 micro-power comparators of open-drain output are fully specified and ensured for operation from 1.8 V to 5.5 V and offers an excellent speed-to-power combination with a propagation delay of 100 ns and a quiescent supply current of 37  $\mu$ A. This combination of fast response time at micro-power enables power conscious systems to monitor and respond quickly to fault conditions.

In addition, and many specifications apply over the industrial temperature range of  $-40^{\circ}\text{C}$  to  $+85^{\circ}\text{C}$ . Parameters that vary significantly with operating voltages or temperature are illustrated in the Typical Characteristics graphs.

### INPUT VOLTAGE

The input common-mode voltage range of the LTC331/LTC393 family extends 100mV beyond the supply rails. This performance is achieved with a complementary input stage: an N-channel input differential pair in parallel with a P-channel differential pair. The N-channel pair is active for input voltages close to the positive rail, typically  $V_{S+} - 1.4\text{V}$  to the positive supply, whereas the P-channel pair is active for inputs from 100mV below the negative supply to approximately  $V_{S+} - 1.4\text{V}$ . There is a small transition region, typically  $V_{S+} - 1.2\text{V}$  to  $V_{S+} - 1\text{V}$ , in which both pairs are on. This 200mV transition region can vary up to 200mV with process variation. Thus, the transition region (both stages on) can range from  $V_{S+} - 1.4\text{V}$  to  $V_{S+} - 1.2\text{V}$  on the low end, up to  $V_{S+} - 1\text{V}$  to  $V_{S+} - 0.8\text{V}$  on the high end. Within this transition region, PSRR, CMRR, offset voltage, offset drift, and THD can be degraded compared to device operation outside this region.

### INPUT VOLTAGE

The LTC331/LTC393 comparator family uses CMOS transistors at the inputs which prevent phase inversion when the input pins exceed the supply voltages.

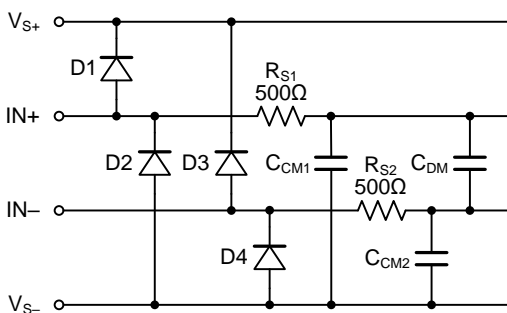


Figure 1. Input EMI Filter and Clamp Circuit

Figure 1 shows the input EMI filter and clamp circuit.

The LTC331/LTC393 comparators have internal ESD protection diodes (D1, D2, D3, and D4) that are connected between the inputs and each supply rail. These diodes protect the input transistors in the event of electrostatic discharge and are reverse biased during normal operation. This protection scheme allows voltages as high as approximately 300mV beyond the rails to be applied at the input of either terminal without causing permanent damage. See the table of Absolute Maximum Ratings for more information.

### EMI REJECTION RATIO

Circuit performance is often adversely affected by high frequency EMI. When the signal strength is low and transmission lines are long, an amplifier must accurately amplify the input signals. However, all comparator pins — the non-inverting input, inverting input, positive supply, negative supply, and output pins — are susceptible to EMI signals. These high frequency signals are coupled into a comparator by various means, such as conduction, near field radiation, or far field radiation. For example, wires and printed circuit board (PCB) traces can act as antennas and pick up high frequency EMI signals.

Amplifiers do not amplify EMI or RF signals due to their relatively low bandwidth. However, due to the nonlinearities of the input devices, comparators can rectify these out of band signals. When these high frequency signals are rectified, they appear as a dc offset at the output.

The LTC331/LTC393 comparators have integrated EMI filters at their input stage. A mathematical method of measuring EMIRR is defined as follows:

$$EMIRR = 20 \log (V_{IN\_PEAK} / \Delta V_{OS})$$

### INTERNAL HYSTERESIS

Most high-speed comparators oscillate in the linear region because of noise or undesired parasitic feedback. This tends to occur when the voltage on one input is at or equal to the voltage on the other input. To counter the parasitic effects and noise, the devices have an internal hysteresis of 3 mV.

The hysteresis in a comparator creates two trip points: one for the rising input voltage and one for the falling input voltage. The difference between the trip points is the hysteresis. The average of the trip points is the offset voltage. When the comparator's input voltages are equal, the hysteresis effectively causes one comparator input voltage to move quickly past the other, thus taking the input out of the region where oscillation occurs. Standard comparators require hysteresis to be added with external resistors. To increase hysteresis and noise margin

CAUTION: These devices are sensitive to electrostatic discharge; follow proper IC Handling Procedures.

Linearin and designs are registered trademarks of Linearin Technology Corporation.

© Copyright Linearin Technology Corporation. All Rights Reserved.

All other trademarks mentioned are the property of their respective owners. Downloaded From [Onyiac.com](http://www.onyiac.com)



## Application Notes

positive feedback with two resistors as a voltage divider from the output to the non-inverting input. Figure 2 illustrates the case where  $IN-$  is fixed and  $IN+$  is varied. If the inputs were reversed, the figure would look the same, except the output would be inverted.

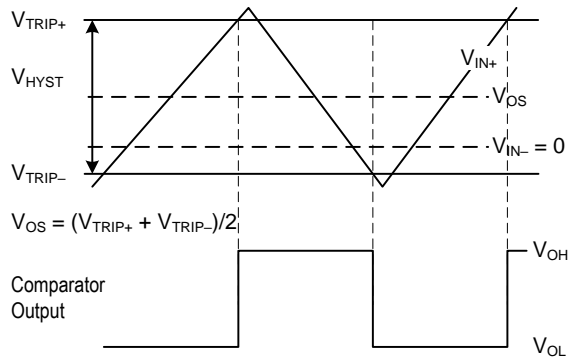


Figure 2. Input and Output Waveform, Non-inverting Input Varied

### MAXIMIZING PERFORMANCE THROUGH PROPER LAYOUT

To achieve the maximum performance of the extremely high input impedance and low offset voltage of the LTC331/LTC393 devices, care is needed in laying out the circuit board. The PCB surface must remain clean and free of moisture to avoid leakage currents between adjacent traces. Surface coating of the circuit board reduces surface moisture and provides a humidity barrier, reducing parasitic resistance on the board. The use of guard rings around the comparator inputs further reduces leakage currents. Figure 3 shows proper guard ring configuration and the top view of a surface-mount layout. The guard ring does not need to be a specific width, but it should form a continuous loop around both inputs. By setting the guard ring voltage equal to the voltage at the non-inverting input, parasitic capacitance is minimized as well. For further reduction of leakage currents, components can be mounted to the PCB using Teflon standoff insulators.

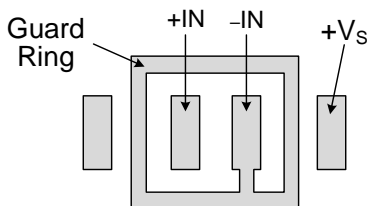


Figure 3. Use a guard ring around sensitive pins

Other potential sources of offset error are thermo-

electric voltages on the circuit board. This voltage, also called Seebeck voltage, occurs at the junction of two dissimilar metals and is proportional to the temperature of the junction. The most common metallic junctions on a circuit board are solder-to-board trace and solder-to-component lead. If the temperature of the PCB at one end of the component is different from the temperature at the other end, the resulting Seebeck voltages are not equal, resulting in a thermal voltage error.

This thermocouple error can be reduced by using dummy components to match the thermoelectric error source. Placing the dummy component as close as possible to its partner ensures both Seebeck voltages are equal, thus canceling the thermocouple error. Maintaining a constant ambient temperature on the circuit board further reduces this error. The use of a ground plane helps distribute heat throughout the board and reduces EMI noise pickup.

### INPUT-TO-OUTPUT COUPLING

To minimize capacitive coupling, the input and output signal traces should not be parallel. This helps reduce unwanted positive feedback.

## Typical Application Circuits

### IR RECEIVER AFE AND WAKE-UP CIRCUIT

Infrared (IR) communication is inherently immune to RF interference as long as there is a line-of-sight path between the transmitter and the receiver. It is also one of the lowest cost communication schemes. This makes it a good choice for implementing wireless communications in applications such as utility metering. A common system topology to extend battery life is to use a power efficient IR receiver analog front end (AFE) that is always on and wakes up the host only when there is a valid IR signal detected as shown in Figure 1.

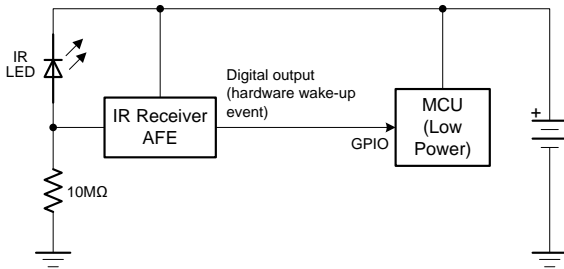


Figure 4. Coin Cell Battery Powered IR Receiver

Power efficient comparators such as the LTC331/LTC393 can be used in the IR receiver AFE to increase battery life. The LTC331/LTC393 device is responsible for two major tasks:

1. IR signal conditioning,
2. Host system wake-up.

The LTC331/LTC393 device is constantly powered to always be ready to receive IR signals and wake up the host microcontroller (MCU) when data is received. The short working distance (approx 5 cm) is suitable for a virtual-contact operation where the IR transmitter and receiver are closely placed with an optional mechanical alignment guide.

Figure 1 shows the IR receiver system block diagram. The host MCU is normally in the shutdown mode (during which the quiescent current is less than 1 μA) except when data is being transferred.

Figure 2 shows the detailed circuit design. The circuit establishes a threshold through  $R_2$  and  $C_1$  which automatically adapts to the ambient light level. To further reduce BOM cost, this example uses an IR LED as the IR receiver. The IR LED is reverse-biased to function as a photodiode (but at a reduced sensitivity).

The low input bias current allows a greater load resistor value ( $R_1$ ) without sacrificing linearity, which in turn helps reduce the always-on supply current.

The load resistor  $R_1$  converts the IR light induced current into a voltage fed into the inverting input of the comparator.  $R_2$  and  $C_1$  establish a reference voltage  $V_{REF}$  which tracks the mean amplitude of the IR signal. The non-inverting input is connected to  $V_{REF}$

through  $R_3$ . And finally  $R_3$  and  $R_4$  are used to introduce additional hysteresis to keep the output free of spurious toggles.

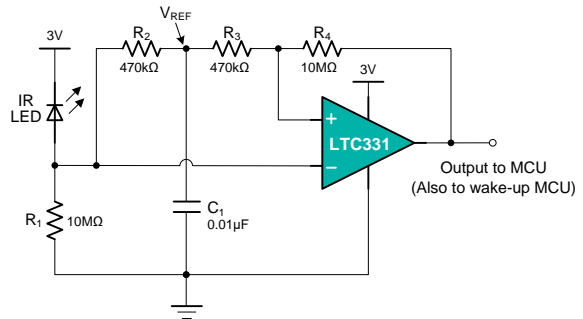


Figure 5. IR Receiver AFE Using LTC331

### USE WINDOW COMPARATOR TO DETECT UNDER-VOLTAGE AND OVER-VOLTAGE

Window comparators are commonly used to detect undervoltage (UV) and overvoltage (OV) conditions. Figure 6 shows a simple window comparator circuit.

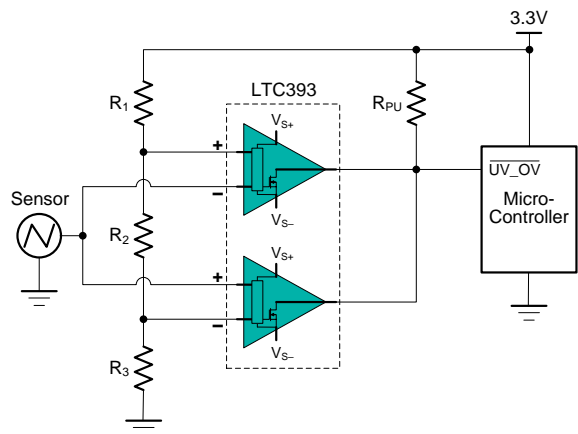


Figure 6. Window Comparator

For this design, follow these design requirements:

- Alert (logic low output) when an input signal is less than 1.1 V
- Alert (logic low output) when an input signal is greater than 2.2 V
- Alert signal is active low
- Operate from a 3.3-V power supply

Configure the circuit as shown in Figure 6. Connect  $V_{S+}$  to a 3.3-V power supply and  $V_{S-}$  to ground. Make  $R_1$ ,  $R_2$  and  $R_3$  each 10-MΩ resistors. These three resistors are used to create the positive and negative thresholds for the window comparator ( $V_{TH+}$  and  $V_{TH-}$ ). With each resistor being equal,  $V_{TH+}$  is 2.2 V and  $V_{TH-}$

## Typical Application Circuits

is 1.1 V. Large resistor values such as 10-M $\Omega$  are used to minimize power consumption. The sensor output voltage is applied to the inverting and non-inverting inputs of the 2-channel LTC393's. The LTC393 is used for its open-drain output configuration. Using the LTC393 allows the two comparator outputs to be Wire-ORed together. The respective comparator outputs will be low when the sensor is less than 1.1 V or greater than 2.2 V.  $V_{OUT}$  will be high when the sensor is in the range of 1.1 V to 2.2 V. See the application curve in Figure 7.

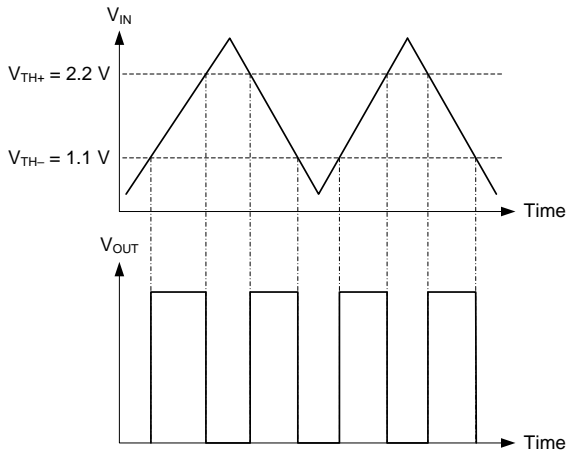
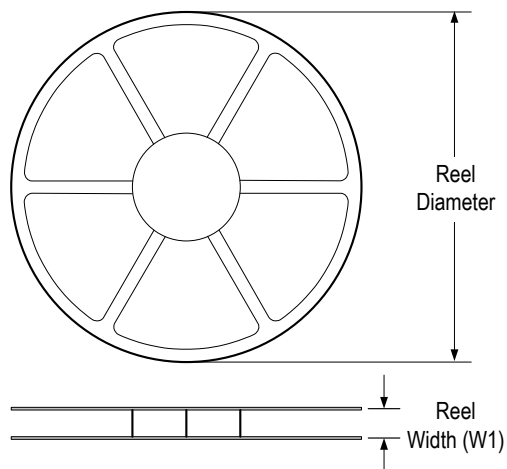


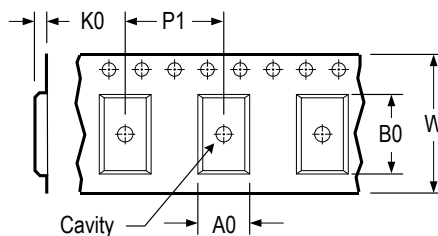
Figure 5. Window Comparator Results

## Tape and Reel Information

### REEL DIMENSIONS

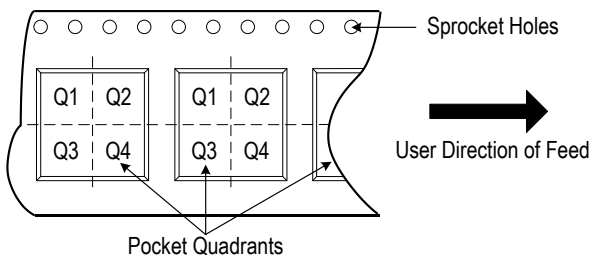


### TAPE DIMENSIONS



A0	Dimension designed to accommodate the component width
B0	Dimension designed to accommodate the component length
K0	Dimension designed to accommodate the component thickness
W	Overall width of the carrier tape
P1	Pitch between successive cavity centers

### QUADRANT ASSIGNMENTS FOR PIN 1 ORIENTATION IN TAPE

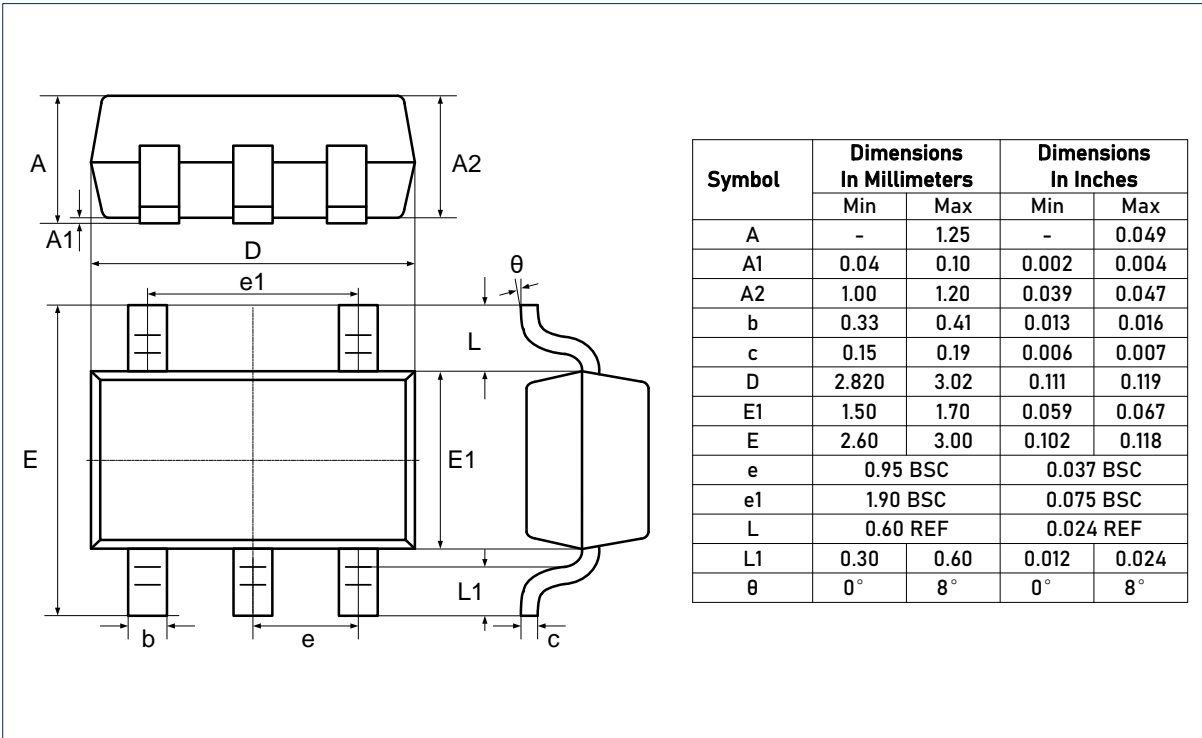


\* All dimensions are nominal

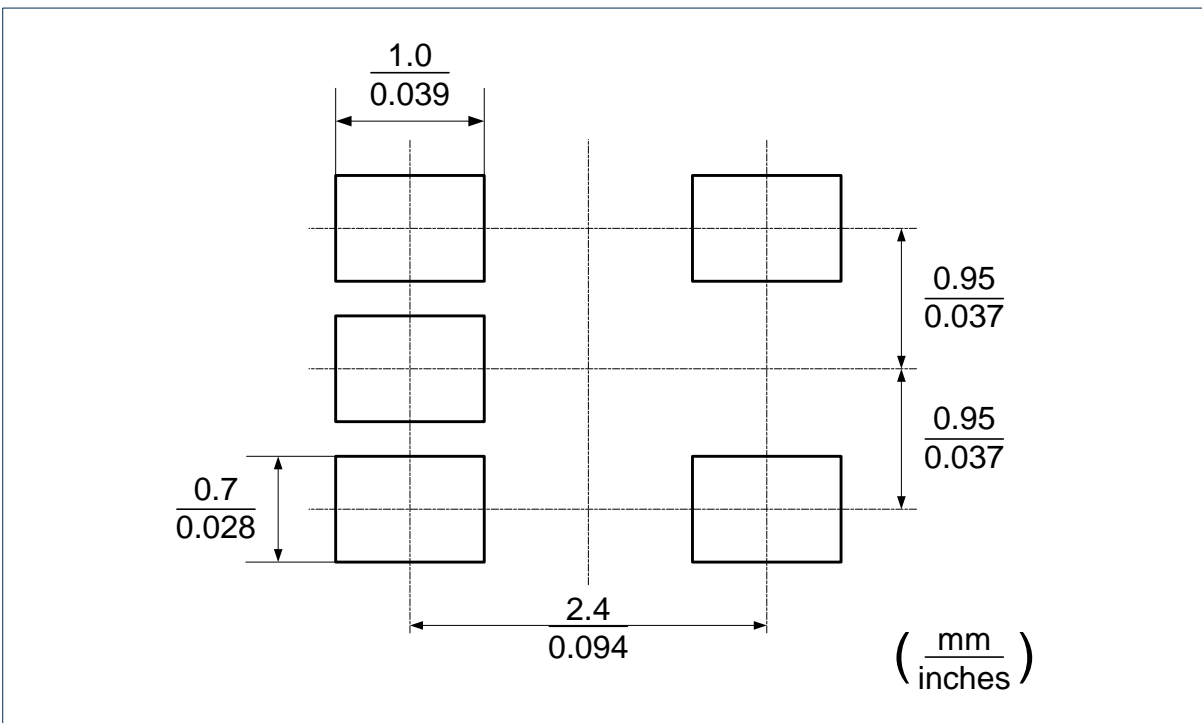
Device	Package Type	Pins	SPQ	Reel Diameter (mm)	Reel Width W1 (mm)	A0 (mm)	B0 (mm)	K0 (mm)	P1 (mm)	W (mm)	Pin 1 Quadrant
LTC331YT5/R6	SOT23	5	3 000	178	9.0	3.3	3.2	1.5	4.0	8.0	Q3

Package Outlines

DIMENSIONS, SOT23-5L

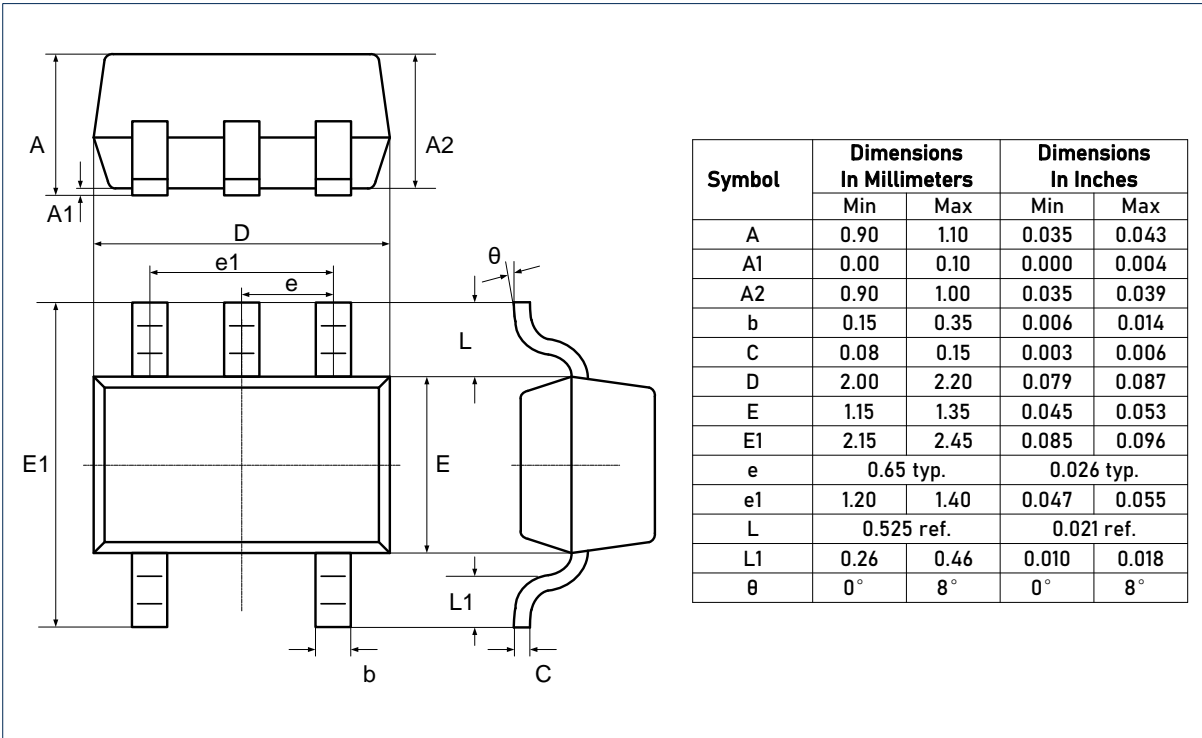


RECOMMENDED SOLDERING FOOTPRINT, SOT23-5L

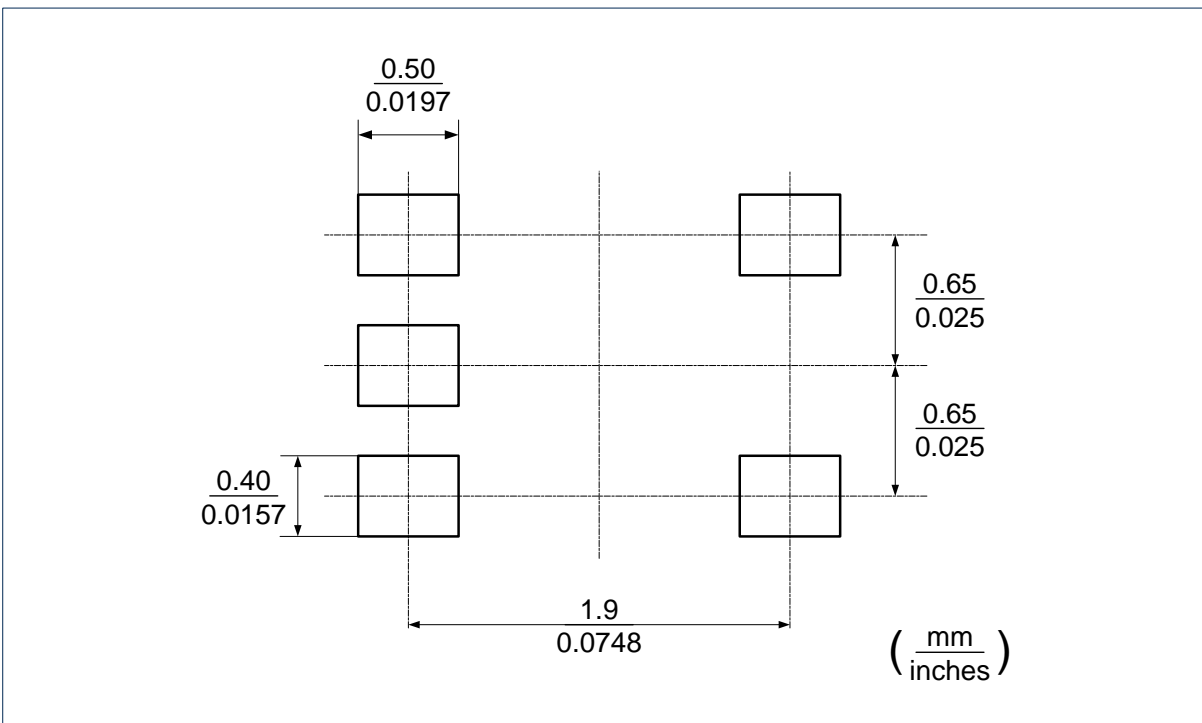


Package Outlines (continued)

DIMENSIONS, SC70-5L (SOT353)



RECOMMENDED SOLDERING FOOTPRINT, SC70-5L (SOT353)



CAUTION: These devices are sensitive to electrostatic discharge; follow proper IC Handling Procedures.

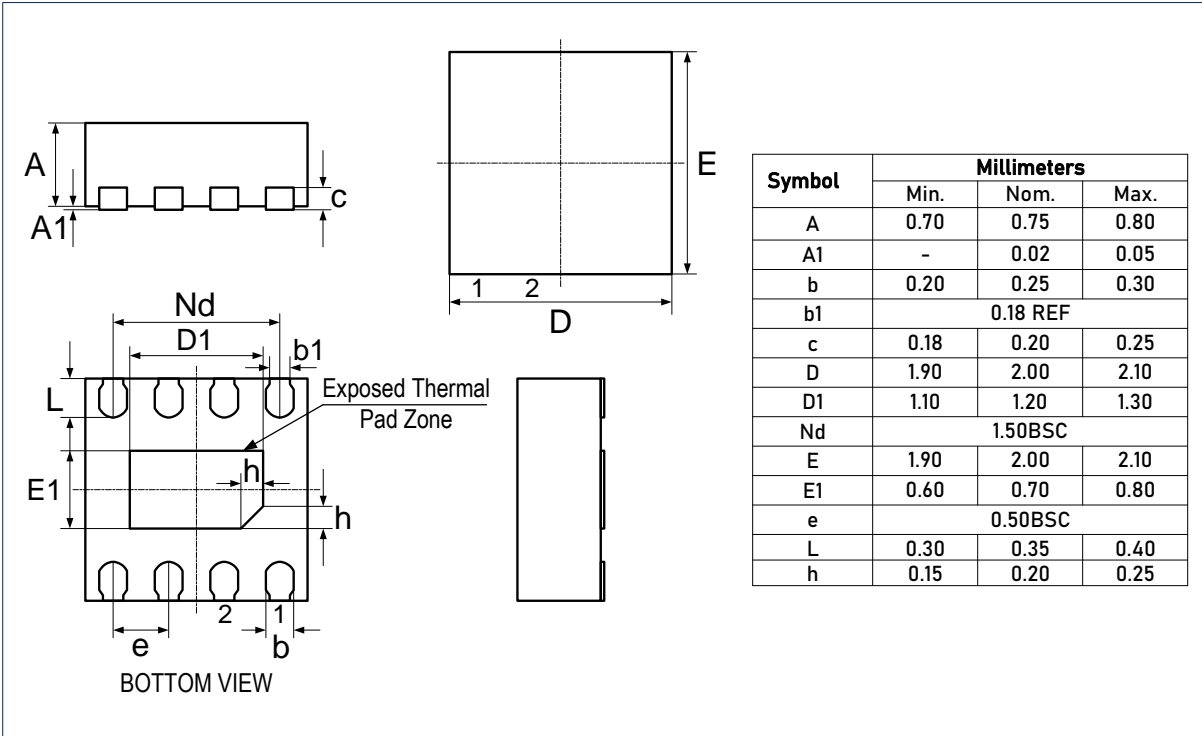
Linearin and designs are registered trademarks of Linearin Technology Corporation.

© Copyright Linearin Technology Corporation. All Rights Reserved.

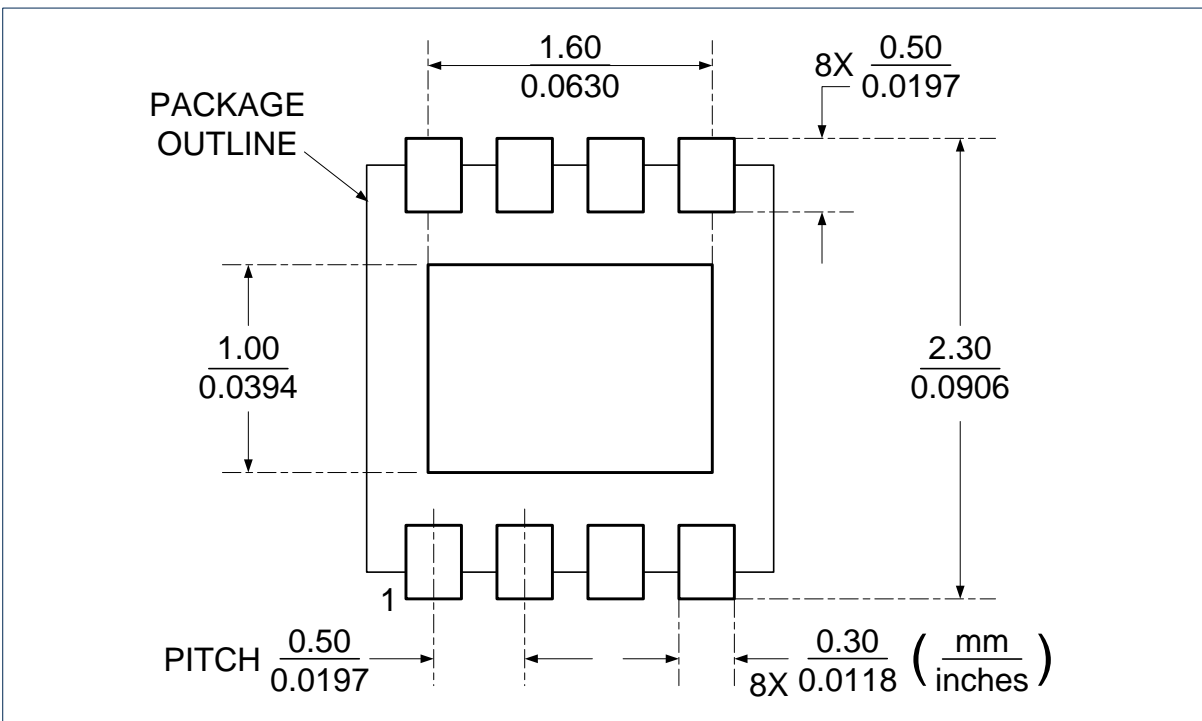
All other trademarks mentioned are the property of their respective owners. Downloaded From [Oneyac.com](http://www.Oneyac.com)

Package Outlines (continued)

DIMENSIONS, DFN2x2-8L

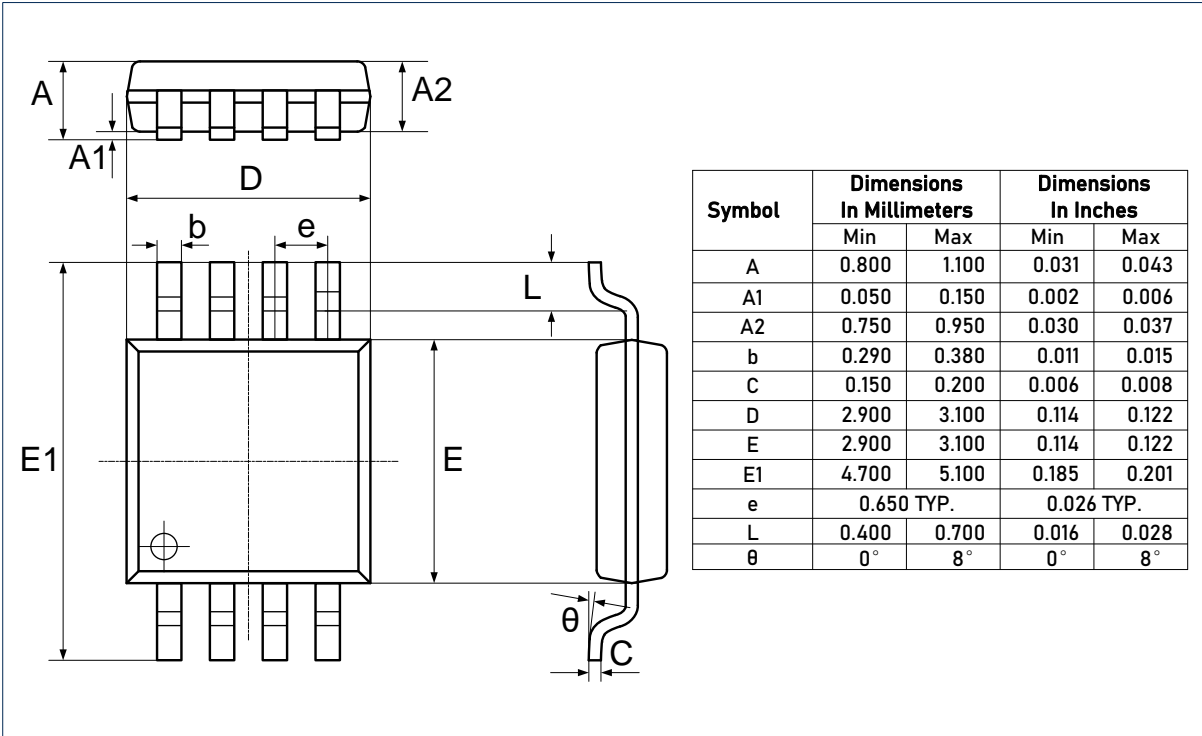


RECOMMENDED SOLDERING FOOTPRINT, DFN2x2-8L

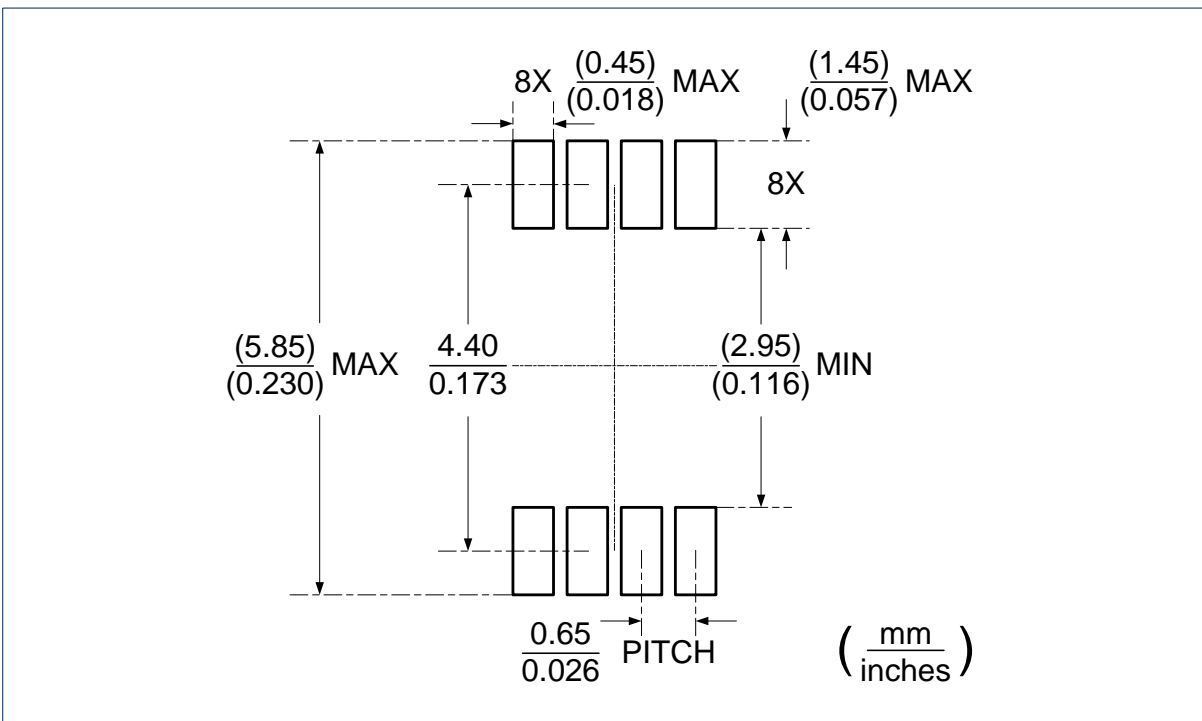


Package Outlines (continued)

DIMENSIONS, MSOP-8L



RECOMMENDED SOLDERING FOOTPRINT, MSOP-8L



CAUTION: These devices are sensitive to electrostatic discharge; follow proper IC Handling Procedures. Linearin and designs are registered trademarks of Linearin Technology Corporation.

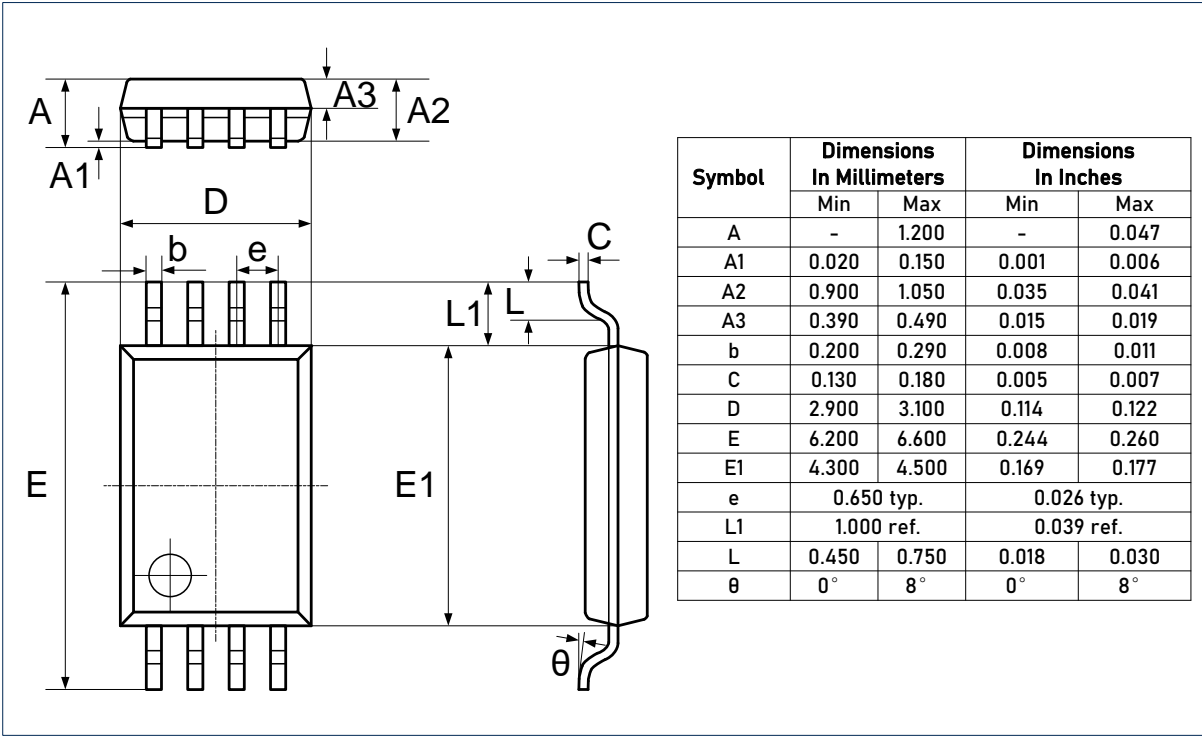
© Copyright Linearin Technology Corporation. All Rights Reserved.

All other trademarks mentioned are the property of their respective owners. Downloaded From [One-yac.com](http://One-yac.com)

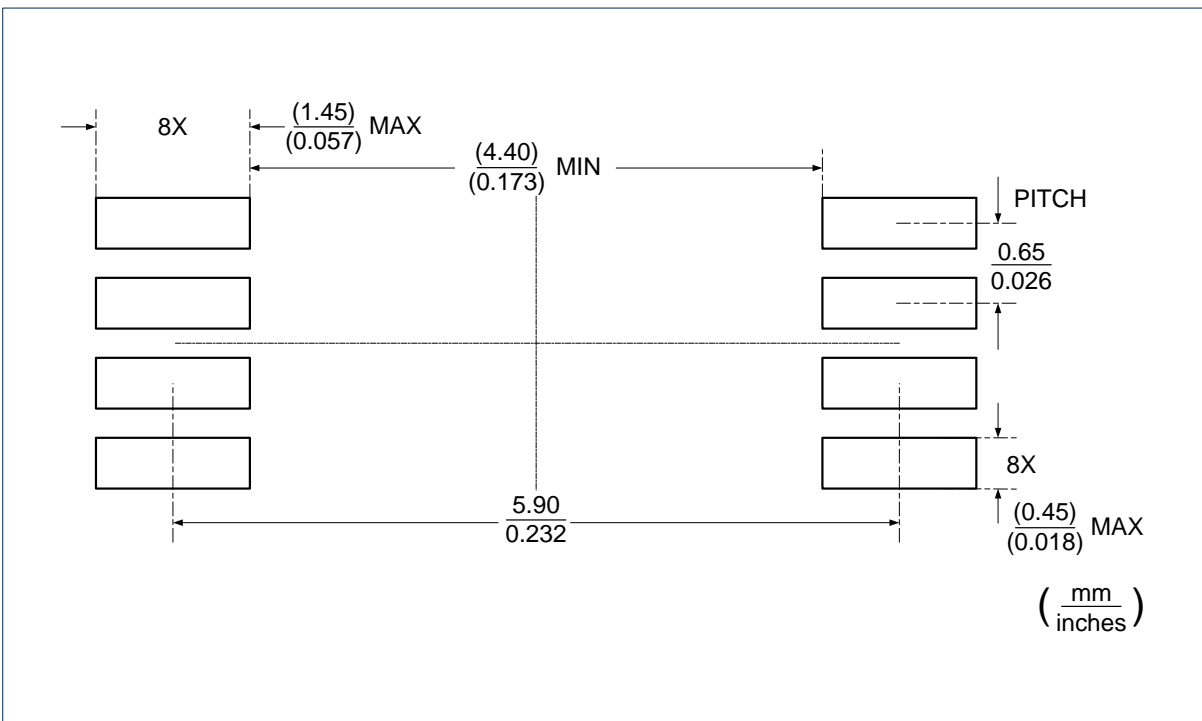


Package Outlines (continued)

DIMENSIONS, TSSOP-8L



RECOMMENDED SOLDERING FOOTPRINT, TSSOP-8L



CAUTION: These devices are sensitive to electrostatic discharge; follow proper IC Handling Procedures.

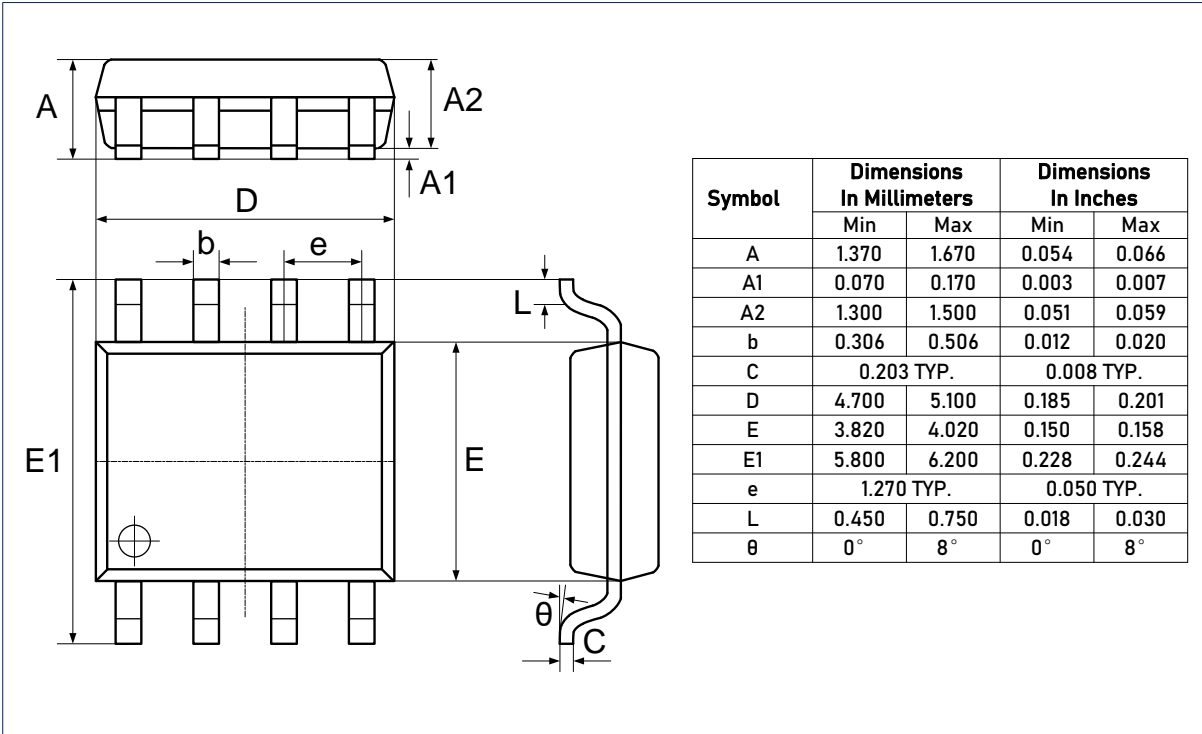
Linearin and designs are registered trademarks of Linearin Technology Corporation.

© Copyright Linearin Technology Corporation. All Rights Reserved.

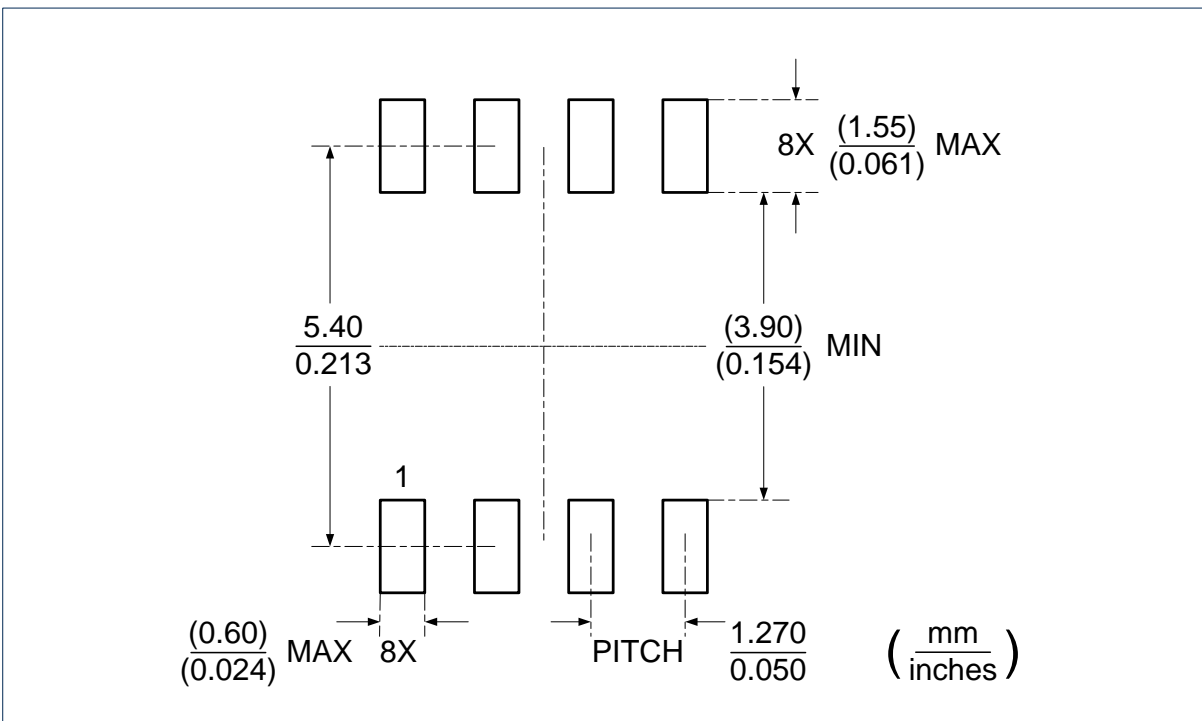
All other trademarks mentioned are the property of their respective owners. Downloaded From [Oneyac.com](http://www.Oneyac.com)

Package Outlines (continued)

DIMENSIONS, SOIC-8L



RECOMMENDED SOLDERING FOOTPRINT, SOIC-8L



## IMPORTANT NOTICE

Linearin is a global fabless semiconductor company specializing in advanced high-performance high-quality analog/mixed-signal IC products and sensor solutions. The company is devoted to the innovation of high performance, analog-intensive sensor front-end products and modular sensor solutions, applied in multi-market of medical & wearable devices, smart home, sensing of IoT, and intelligent industrial & smart factory (industrie 4.0). Linearin's product families include widely-used standard catalog products, solution-based application specific standard products (ASSPs) and sensor modules that help customers achieve faster time-to-market products. Go to <http://www.linearin.com> for a complete list of Linearin product families.

For additional product information, or full datasheet, please contact with the Linearin's Sales Department or Representatives.

单击下面可查看定价，库存，交付和生命周期等信息

[>>Linearin\(先积\)](#)