



Photocoupler
Product Data Sheet
LTV-3120 series

Spec No. :DS70-2012-0008
Effective Date: 06/23/2017
Revision: G

LITE-ON DCC

RELEASE

BNS-OD-FC001/A4

Photocoupler LTV-3120 series

2.5 Amp Output Current IGBT Gate Drive Optocoupler with Rail-to-Rail Output Voltage, High CMR.

1. DESCRIPTION

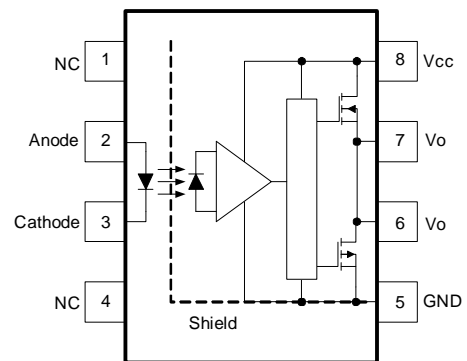
The LTV-3120 series Photocoupler is ideally suited for driving power IGBTs and MOSFETs used in motor control inverter applications and inverters in power supply system. It contains an AlGaAs LED optically coupled to an integrated circuit with a power output stage. The 2.5A peak output current is capable of directly driving most IGBTs with ratings up to 1200 V/100 A. For IGBTs with higher ratings, the LTV-3120 series can be used to drive a discrete power stage which drives the IGBT gate.

The Photocoupler operational parameters are guaranteed over the temperature range from $-40^{\circ}\text{C} \sim +105^{\circ}\text{C}$.

1.1 Features

- ± 2.5 A maximum peak output current
- Rail-to-rail output voltage
- Propagation delay time : $T_{PHL} = 500$ ns (max) , $T_{PLH} = 500$ ns (max)
- Under Voltage Lock-Out protection (UVLO) with hysteresis
- 35 kV/us minimum Common Mode Rejection (CMR) at $V_{CM} = 1500$ V
- $I_{CC} = 3.5$ mA maximum supply current
- Wide operating range: 15 to 30 Volts (V_{CC})
- Guaranteed performance over temperature $-40^{\circ}\text{C} \sim +105^{\circ}\text{C}$.
- MSL Level 1
- Safety approval:
 - UL/ cUL Recognized 5000 $V_{RMS}/1$ min
 - IEC/EN/DIN EN 60747-5-5 $V_{IORM} = 630$ Vpeak

Functional Diagram



1.2 Applications

- Plasma Display Panel .
- IGBT/MOSFET gate drive
- Industrial Inverter
- Induction heating
- Uninterruptible power supply (UPS)

Truth Table

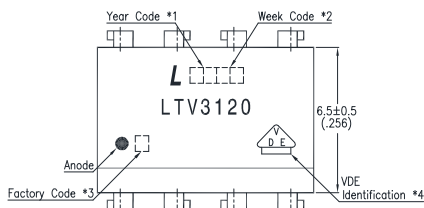
LED	High side	Low side	V_o
OFF	OFF	ON	Low
ON	ON	OFF	High

A 0.1 μF bypass Capacitor must be connected between Pin 5 and 8.

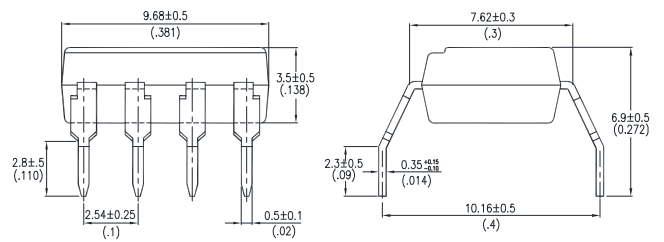
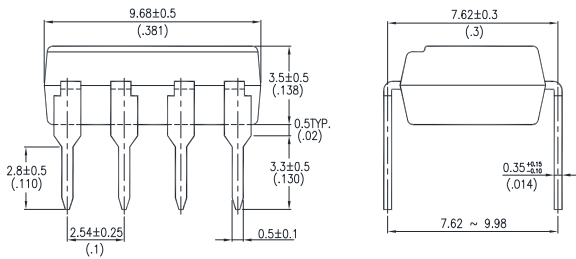
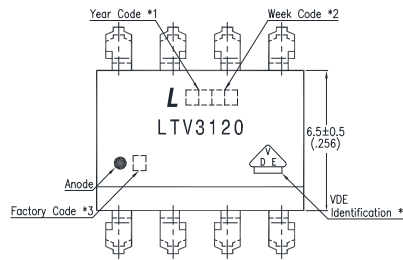
Photocoupler LTV-3120 series

2. PACKAGE DIMENSIONS

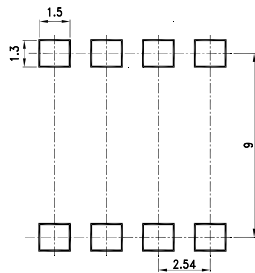
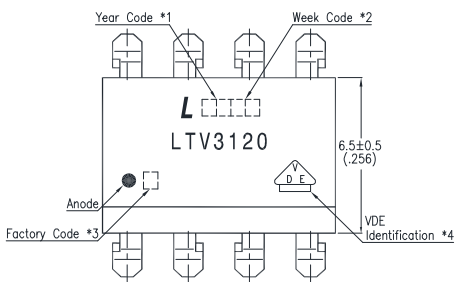
2.1 LTV-3120



2.2 LTV-3120M

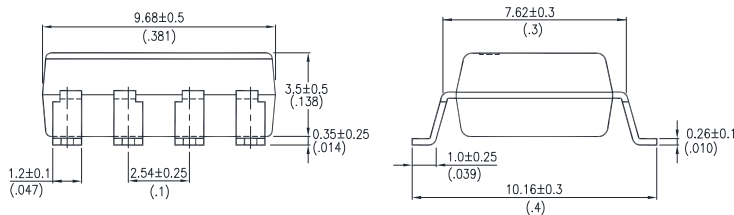


2.3 LTV-3120S



Notes :

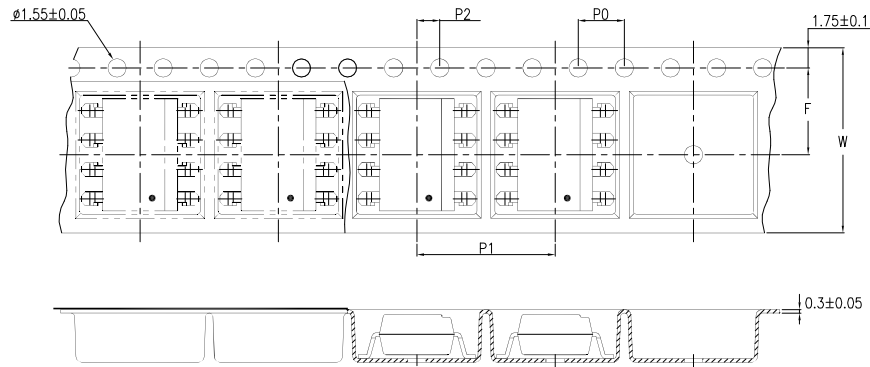
- *1. Year date code.
- *2. 2-digit work week.
- *3. Factory identification mark (Y : Thailand).
- *4. VDE Identification (Option)
- *Dimensions are in Millimeters and (Inches).



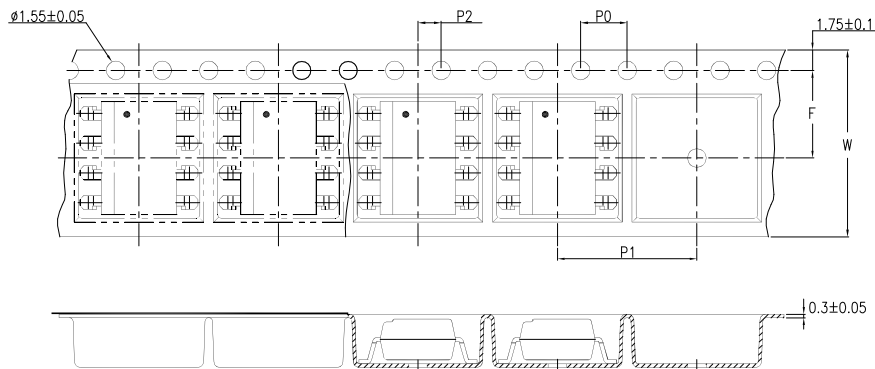
Photocoupler LTV-3120 series

3. TAPING DIMENSIONS

3.1 LTV-3120S-TA



3.2 LTV-3120S-TA1



Description	Symbol	Dimension in mm (inch)
Tape wide	W	16±0.3 (0.63)
Pitch of sprocket holes	P ₀	4±0.1 (0.15)
Distance of compartment	F	7.5±0.1 (0.295)
	P ₂	2±0.1 (0.079)
Distance of compartment to compartment	P ₁	12±0.1 (0.47)

3.3 Quantities Per Reel

Package Type	TA/ TA1
Quantities (pcs)	1000

Photocoupler LTV-3120 series

4. RATING AND CHARACTERISTICS

4.1 Absolute Maximum Ratings

Parameter	Symbol	Min	Max	Unit	Note
Storage Temperature	T_{stg}	-55	+125	°C	—
Operating Temperature	T_{opr}	-40	+105	°C	—
Output IC Junction Temperature	T_J	—	125	°C	—
Total Output Supply Voltage	$(V_{CC} - V_{EE})$	0	35	V	—
Average Forward Input Current	I_F	—	20	mA	—
Reverse Input Voltage	V_R	—	5	V	—
Peak Transient Input Current	$I_{F(TRAN)}$	—	1.0	A	1
"High" Peak Output Current	$I_{OH(PEAK)}$	—	2.5	A	2
"Low" Peak Output Current	$I_{OL(PEAK)}$	—	2.5	A	2
Input Current (Rise/Fall Time)	$t_{r(IN)}/t_{f(IN)}$	—	500	ns	3
Output Voltage	$V_{O(PEAK)}$	—	35	V	—
Power Dissipation	P_I	—	45	mW	—
Output Power Dissipation	P_O	—	250	mW	—
Total Power Dissipation	P_T	—	295	mW	—
Lead Solder Temperature (10s)	T_{sol}	—	260	°C	—

Note: Ambient temperature = 25°C, unless otherwise specified. Stresses exceeding the absolute maximum ratings can cause permanent damage to the device. Exposure to absolute maximum ratings for long periods of time can adversely affect reliability.

Note: Note: A ceramic capacitor (0.1 μF) should be connected between pin 8 and pin 5 to stabilize the operation of a high gain linear amplifier. Otherwise, this Photocoupler may not switch properly. The bypass capacitor should be placed within 1 cm of each pin.

Note 1: Pulse width (PW) ≤ 1 μs, 300 pps

Note 2: Exponential waveform. Pulse width ≤ 0.3 μs, f ≤ 15 kHz

Note 3: The rise and fall times of the input on-current should be less than 500 ns

4.2 Recommended Operating Conditions

Parameter	Symbol	Min	Max	Unit
Operating Temperature	T_A	-40	105	°C
Supply Voltage	V_{CC}	15	30	V
Input Current (ON)	$I_{FL(ON)}$	7	16	mA
Input Voltage (OFF)	$V_{F(OFF)}$	0	0.8	V

Photocoupler LTV-3120 series

4.3 ELECTRICAL OPTICAL CHARACTERISTICS

	Parameter	Symbol	Min.	Typ.	Max.	Unit	Test Condition	Figure	Note
Input	Input Forward Voltage	V_F	1.2	1.37	1.8	V	$I_F = 10\text{mA}$	13	—
	Input Forward Voltage Temperature Coefficient	$\Delta V_F / \Delta T$	—	-1.237	—	mV/°C	$I_F = 10\text{mA}$	—	—
	Input Reverse Voltage	BV_R	5	—	—	V	$I_R = 10\mu\text{A}$	—	—
	Input Threshold Current (Low to High)	I_{FLH}	—	1.8	5	mA	$V_{CC} = 30\text{V}, V_O > 5\text{V}$	6, 7, 18	-
	Input Threshold Voltage (High to Low)	V_{FHL}	0.8	—	—	V	$V_{CC} = 30\text{V}, V_O < 5\text{V}$	—	—
	Input Capacitance	C_{IN}	—	33	—	pF	$f = 1\text{MHz}, V_F = 0\text{V}$	—	—
Output	High Level Supply Current	I_{CCH}	—	2.4	3.5	mA	$I_F = 10\text{mA}, V_{CC} = 30\text{V}, V_O = \text{Open}$	4, 5	—
	Low Level Supply Current	I_{CCL}	—	2.5	3.5	mA	$I_F = 0\text{mA}, V_{CC} = 30\text{V}, V_O = \text{Open}$		—
	High level output current	I_{OH}	—	—	-1.0	A	$V_O = (V_{CC} - 1.5\text{V})$	16	1
			—	—	-2.5		$V_O = (V_{CC} - 4\text{V})$		2
	Low level output current	I_{OL}	1.0	—	—	A	$V_O = (V_{EE} + 1.5\text{V})$	17	1
			2.5	—	—		$V_O = (V_{EE} + 4\text{V})$		2
	High level output voltage	V_{OH}	$V_{CC} - 0.3$	$V_{CC} - 0.1$	—	V	$I_F = 10\text{mA}, I_O = -100\text{mA}$	1, 2, 14	—
	Low level output voltage	V_{OL}	—	$V_{EE} + 0.1$	$V_{EE} + 0.25$	V	$I_F = 0\text{mA}, I_O = 100\text{mA}$	3, 15	—
UVLO Threshold	V_{UVLO+}	11.0	12.7	13.5	V	$V_O > 5\text{V}, I_F = 10\text{mA}$	19	—	
	V_{UVLO-}	9.5	11.2	12.0	V	$V_O < 5\text{V}, I_F = 10\text{mA}$		—	
UVLO Hysteresis	$UVLO_{HYS}$	—	1.5	—	V	—		—	

All Typical values at $T_A = 25^\circ\text{C}$ and $V_{CC} - V_{EE} = 30\text{V}$, unless otherwise specified; all minimum and maximum specifications are at recommended operating condition. (Refer to 4.2)

Note 1: Maximum pulse width = 50 μs .

Note 2: Maximum pulse width = 10 μs .

Photocoupler LTV-3120 series

5. SWITCHING SPECIFICATION

Parameter	Symbol	Min.	Typ.	Max.	Unit	Test Condition	Figure	Note
Propagation Delay Time to High Output Level	t_{PLH}	50	130	500	ns	$R_g = 10\Omega$, $C_g = 25nF$, $f = 10\text{ kHz}$, Duty Cycle = 50% $I_F = 7\text{ to }16\text{ mA}$, $V_{CC} = 10\text{ to }30V$ $V_{EE} = \text{ground}$	8, 9, 10, 11, 12, 20	—
Propagation Delay Time to Low Output Level	t_{PHL}	50	130	500				—
Pulse Width Distortion	PWD	—	5	70				—
Propagation delay difference between any two parts or channels	PDD	-100	—	100				3
Output Rise Time (10 to 90%)	T_r	—	35	—			20	—
Output Fall Time (90 to 10%)	T_f	—	35	—				—
Common mode transient immunity at high level output	$ CM_H $	35	50	—	kV/ μ s	$T_A = 25^\circ\text{C}$, $I_F = 10\text{ to }16\text{ mA}$, $V_{CM} = 1500\text{ V}$, $V_{CC} = 30\text{ V}$	21	1
Common mode transient immunity at low level output	$ CM_L $	35	50	—	kV/ μ s	$T_A = 25^\circ\text{C}$, $V_F = 0\text{ V}$, $V_{CM} = 1500\text{ V}$, $V_{CC} = 30\text{ V}$		2

All Typical values at $T_A = 25^\circ\text{C}$ and $V_{CC} - V_{EE} = 30\text{ V}$, unless otherwise specified; all minimum and maximum specifications are at recommended operating condition. (Refer to 4.2)

Note 1: CM_H is the maximum rate of rise of the common mode voltage that can be sustained with the output voltage in the logic high state ($V_O > 15\text{ V}$).

Note 2: CM_L is the maximum rate of fall of the common mode voltage that can be sustained with the output voltage in the logic low state ($V_O < 1\text{ V}$).

Note 3: The difference between t_{PHL} and t_{PLH} between any two parts series parts under same test conditions.

Photocoupler LTV-3120 series

6. ISOLATION CHARACTERISTIC

Parameter	Symbol	Min.	Typ.	Max.	Unit	Test Condition	Note
Withstand Insulation Test Voltage	V_{ISO}	5000	—	—	V	$RH \leq 40\%-60\%$, $t = 1\text{min}$, $T_A = 25\text{ }^\circ\text{C}$	1, 2
Input-Output Resistance	R_{I-O}	—	10^{12}	—	Ω	$V_{I-O} = 500\text{V DC}$	1
Input-Output Capacitance	C_{I-O}	—	0.92	—	pF	$f = 1\text{MHz}$, $T_A = 25\text{ }^\circ\text{C}$	1

All Typical values at $T_A = 25^\circ\text{C}$ unless otherwise specified. All minimum and maximum specifications are at recommended operating condition. (Refer to 4.2)

Note 1: Device is considered a two terminal device: pins 1, 2, 3 and 4 are shorted together and pins 5, 6, 7 and 8 are shorted together.

Note 2: According to UL1577, each Photocoupler is tested by applying an insulation test voltage $6000V_{RMS}$ for one second (leakage current less than $10\mu\text{A}$). This test is performed before the 100% production test for partial discharge

Photocoupler LTV-3120 series

7. TYPICAL PERFORMANCE CURVES & TEST CIRCUITS

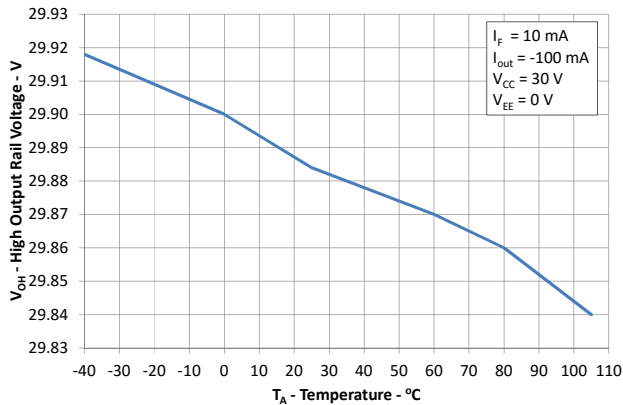


Figure 1: High output rail voltage vs. Temperature

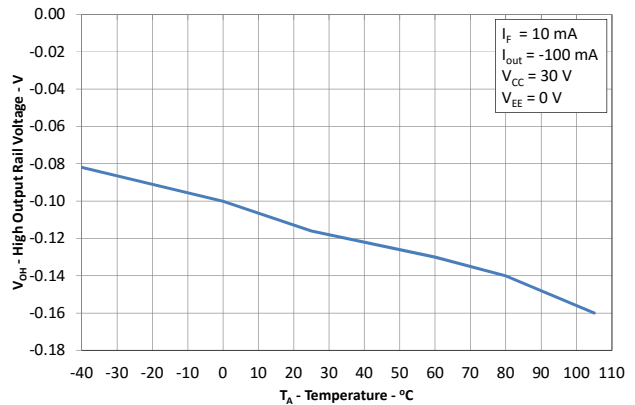


Figure 2: V_{OH} vs. Temperature

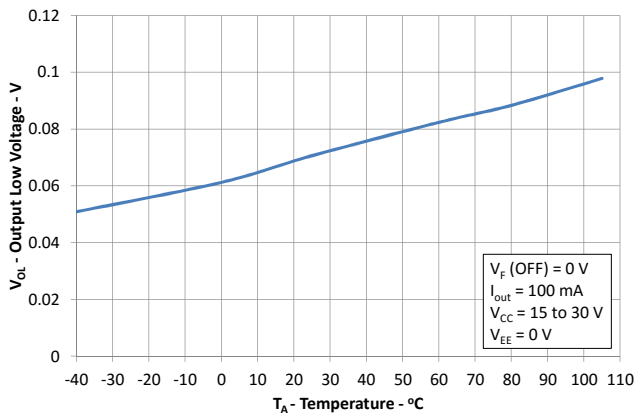


Figure 3: V_{OL} vs. Temperature

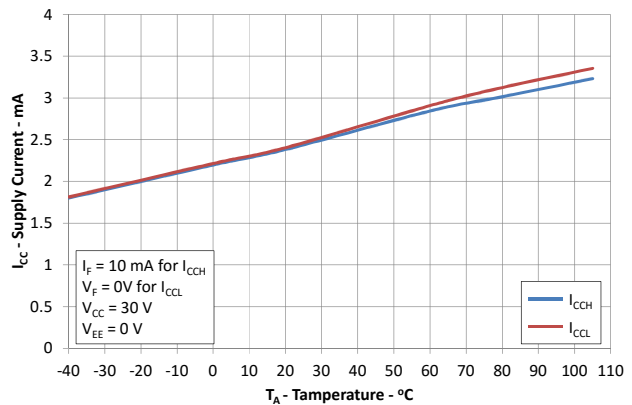


Figure 4: I_{CC} vs. Temperature

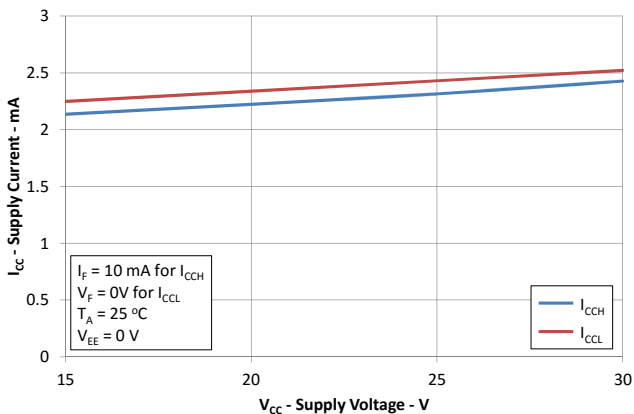


Figure 5: I_{CC} vs. V_{CC}

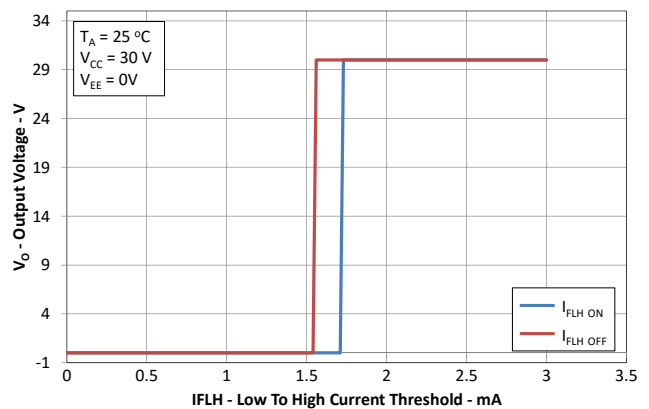


Figure 6: I_{FLH} Hysteresis

Photocoupler LTV-3120 series

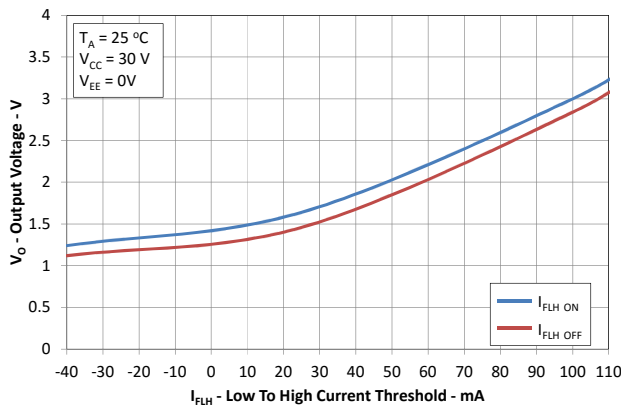


Figure 7: I_{FLH} vs. Temperature

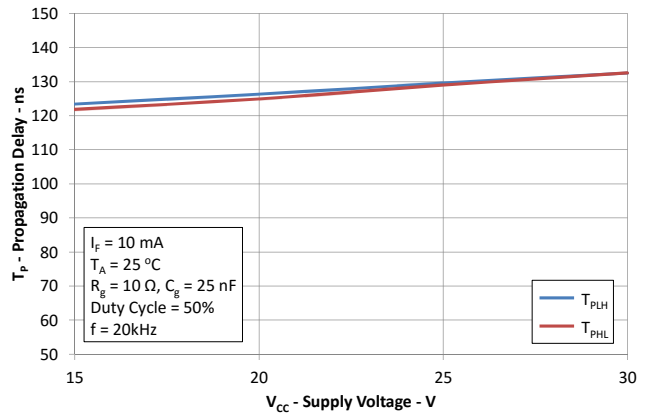


Figure 8: Propagation Delays vs. V_{CC}

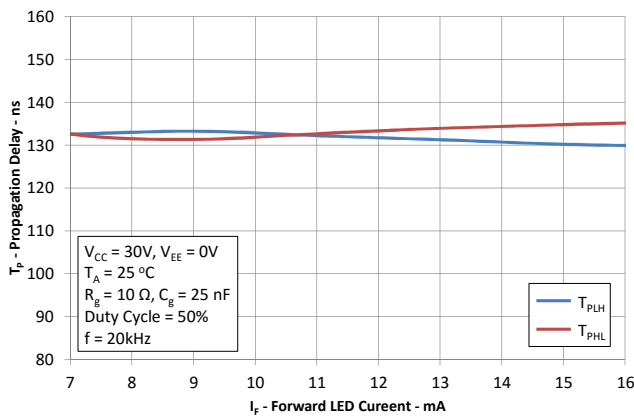


Figure 9: Propagation Delays vs. I_F

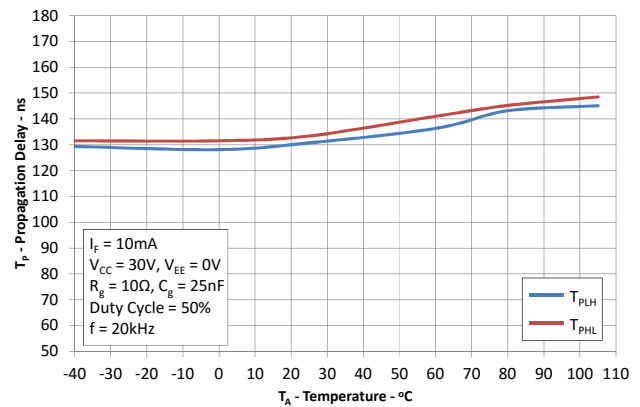


Figure 10: Propagation Delays vs. Temperature

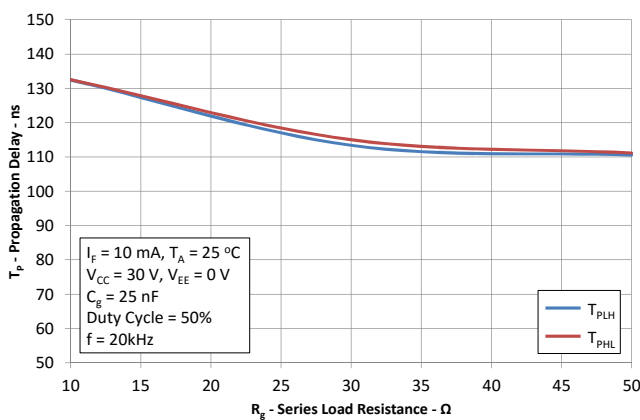


Figure 11: Propagation Delays vs. R_g

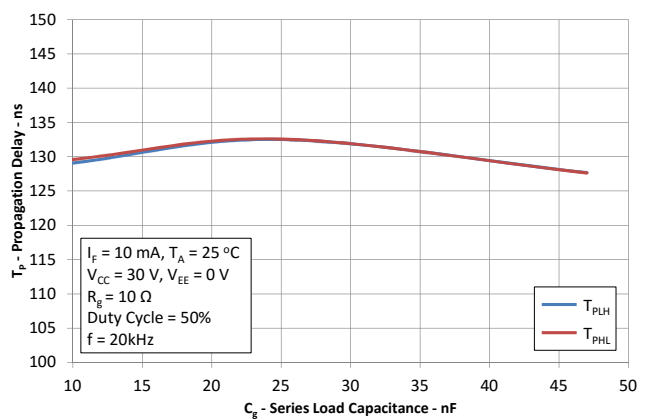


Figure 12: Propagation Delays vs. C_g

Photocoupler LTV-3120 series

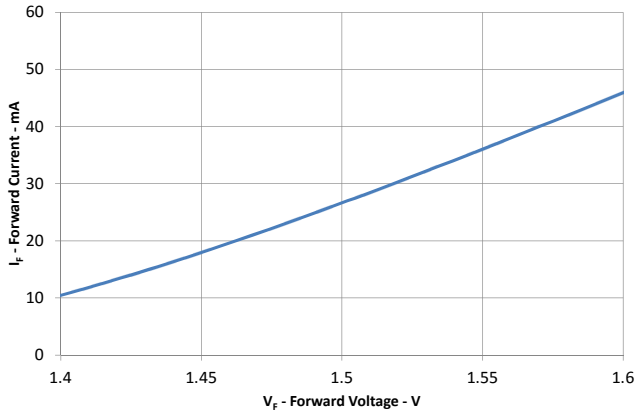


Figure 13: Input Current vs. Forward Voltage

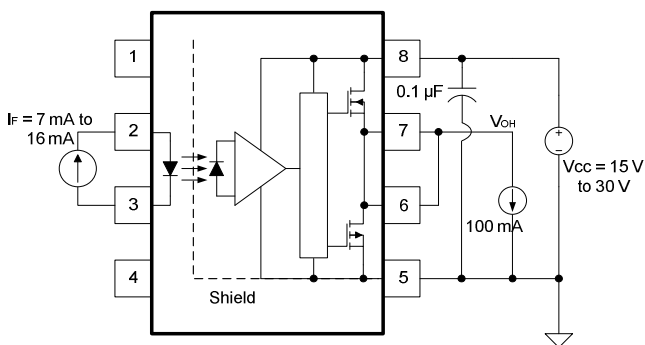


Figure 14 : V_{OH} Test Circuit

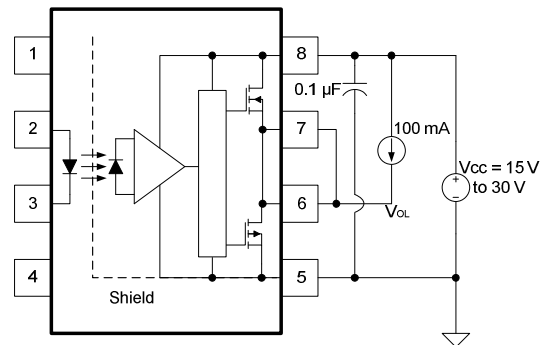


Figure 15 : V_{OL} Test Circuit

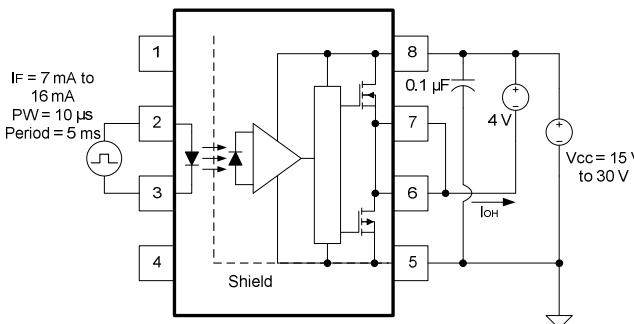


Figure 16 : I_{OH} Test Circuit

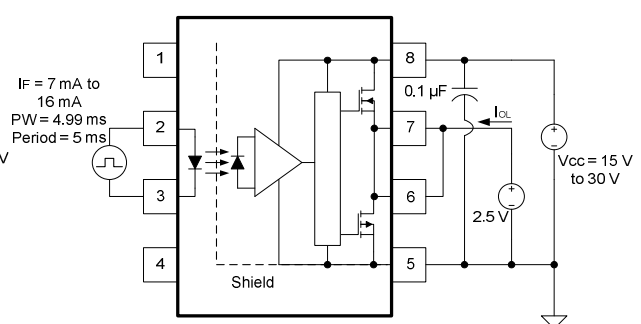


Figure 17 : I_{OL} Test Circuit

Photocoupler LTV-3120 series

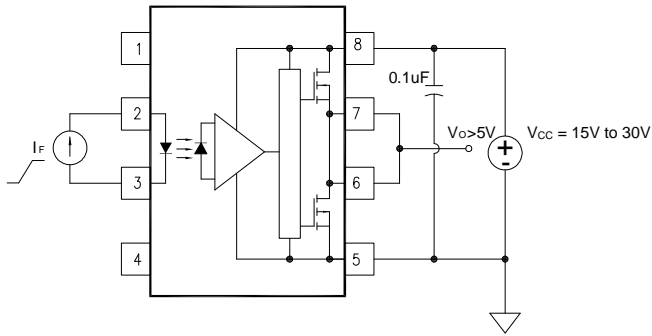


Figure 18 : IFLH Test Circuit

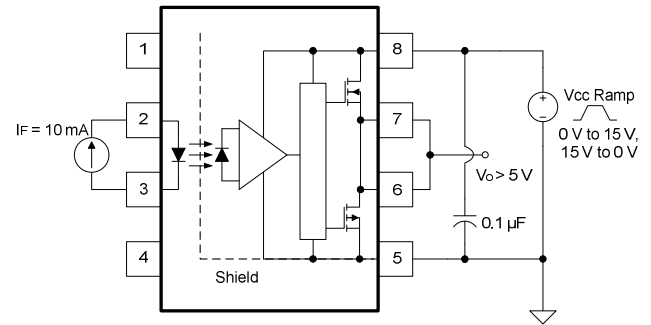


Figure 19 : UVLO Test Circuit

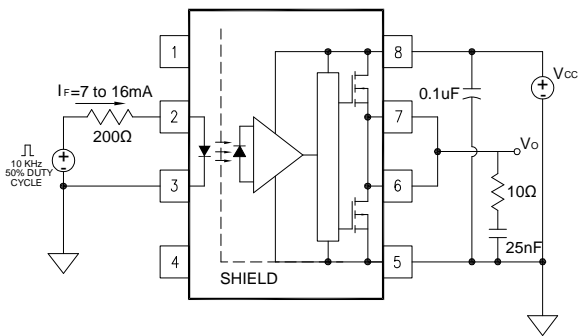


Figure 20 : t_r , t_f , t_{PLH} and t_{PHL} Test Circuit and Waveforms

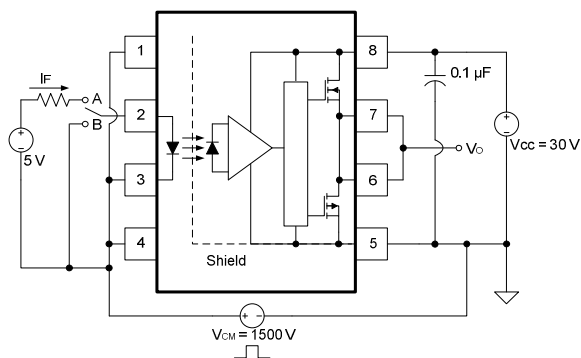


Figure 21 : CMR Test Circuit and Waveforms

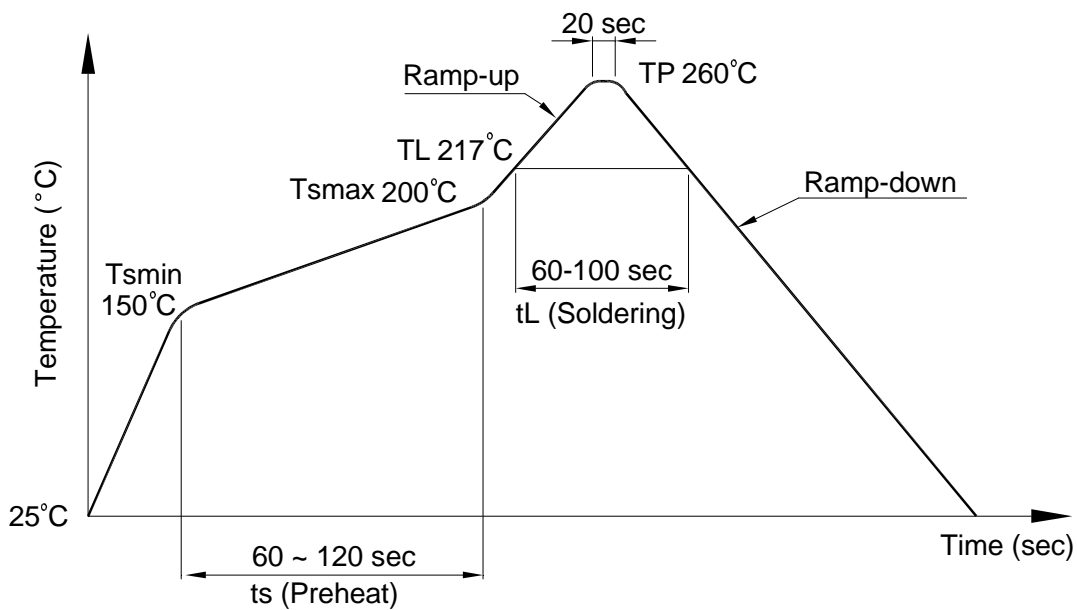
**Photocoupler
LTV-3120 series**

8. TEMPERATURE PROFILE OF SOLDERING

8.1 IR Reflow soldering (JEDEC-STD-020C compliant)

One time soldering reflow is recommended within the condition of temperature and time profile shown below. Do not solder more than three times.

Profile item	Conditions
Preheat	
- Temperature Min (T_{Smin})	150°C
- Temperature Max (T_{Smax})	200°C
- Time (min to max) (ts)	90±30 sec
Soldering zone	
- Temperature (T_L)	217°C
- Time (t_L)	60 ~ 100 sec
Peak Temperature (T_P)	260°C
Ramp-up rate	3°C / sec max.
Ramp-down rate	3~6°C / sec



**Photocoupler
LTV-3120 series**

8.2 Wave soldering (JEDEC22A111 compliant)

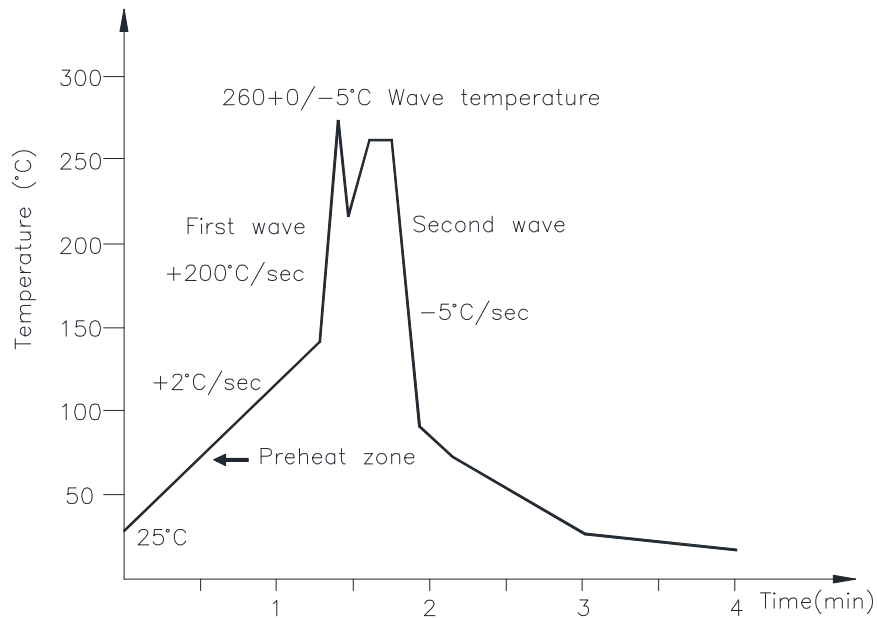
One time soldering is recommended within the condition of temperature.

Temperature: $260 \pm 0 / -5^{\circ}\text{C}$

Time: 10 sec.

Preheat temperature: 25 to 140°C

Preheat time: 30 to 80 sec.



8.3 Hand soldering by soldering iron

Allow single lead soldering in every single process. One time soldering is recommended.

Temperature: $380 \pm 0 / -5^{\circ}\text{C}$

Time: 3 sec max.

Photocoupler LTV-3120 series

9. NAMING RULE

Part number Options
LTV-3120
LTV-3120M
LTV-3120S
LTV-3120S-TA
LTV-3120S-TA1
LTV3120-V
LTV3120M-V
LTV3120S-V
LTV3120STA-V
LTV3120STA1-V

Definition of Suffix	Remark
"3120"	LiteOn model name
"No Suffix"	Dual-in-Line package clearance distance 9 mm typical
"M"	Wide lead spacing package clearance distance 9 mm min.
"S"	Surface mounting package clearance distance 8 mm min.
"TA"	Pin 1 location at lower right of the tape
"TA1"	Pin 1 location at upper left of the tape
"V"	VDE approved option

10. Notes

Specifications of the products displayed herein are subject to change without notice.

The products shown in this publication are designed for the general use in electronic applications such as office automation equipment, communications devices, audio/visual equipment, electrical instrumentation and application. For equipment/devices where high reliability or safety is required, such as space applications, nuclear power control equipment, medical equipment, etc, please contact our sales representatives.

单击下面可查看定价，库存，交付和生命周期等信息

[>>Lite-On\(光宝\)](#)