



# Through Hole Lamp Product Data Sheet LTL-42M4NH106

Spec No.: DS20-2001-486

Effective Date: 11/15/2016

Revision: B

**LITE-ON DCC**

**RELEASE**

BNS-OD-FC001/A4



## Through Hole Lamp LTL-42M4NH106

### 1. Description

CBI (Circuit Board Indicator) is a black plastic right angle Holder (Housing) which mates with Lite-On LED lamps. Lite-On CBI is available in a wide variety of packages, including top-view (Spacer) or right angle and horizontal or vertical arrays which is stackable and easy to assembly.

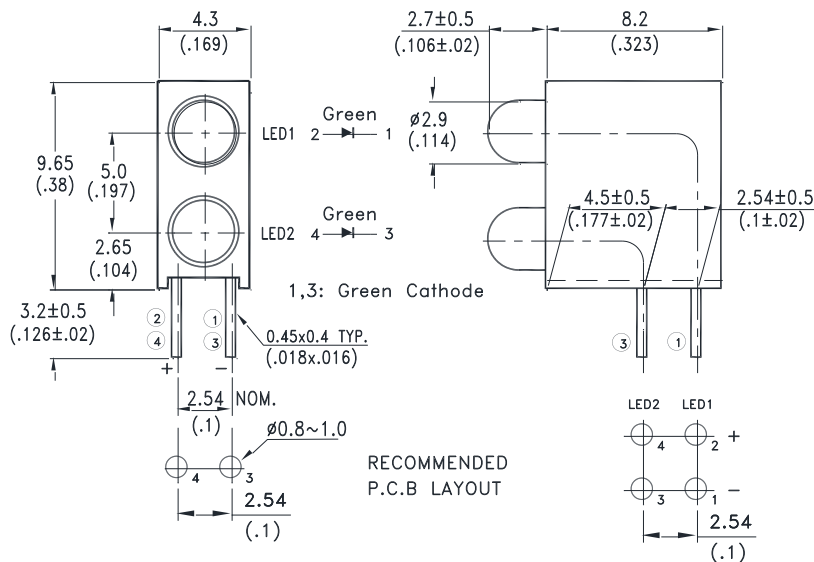
#### 1.1. Features

- Designed for ease in circuit board assembly.
- Black case enhance contrast ratio.
- Solid state light source.
- Low power consumption & High efficiency.
- Lead free product & RoHS Compliant.
- Halogen free product (Cl<900ppm;Br<900ppm; Cl+Br<1500ppm).
- T-1 lamp: Emitted color is green (yellow green) 569nm chip.

#### 1.2. Applications

- Computer.
- Communication.
- Consumer.
- Industrial.

### 2. Outline Dimensions



#### Notes :

1. All dimensions are in millimeters (inches).
2. Tolerance is ±0.25mm (.010") unless otherwise noted.
3. The Holder (Housing) material is plastic / black.
4. LED1~2 are green (yellow green) color with green diffused lens.
5. Specifications are subject to change without notice.

## Through Hole Lamp LTL-42M4NH106

### 3. Absolute Maximum Ratings at TA=25°C

Parameter	Maximum Rating	Unit
Power Dissipation	120	mW
Peak Forward Current (Duty Cycle $\leq$ 1/10, Pulse Width $\leq$ 0.1ms)	90	mA
DC Forward Current	30	mA
Operating Temperature Range	-40°C to + 85°C	
Storage Temperature Range	-40°C to + 100°C	
Lead Soldering Temperature [2.0mm (.079") From Body]	260°C for 5 Seconds Max.	

### 4. Electrical / Optical Characteristics at TA=25°C

Parameter	Symbol	Min.	Typ.	Max.	Unit	Test Condition
Luminous Intensity	Iv	5.6	12.6	85	mcd	IF=10mA Note 1,5
Viewing Angle	$2\theta_{1/2}$		60		deg	Note 2 (Fig.6)
Peak Emission Wavelength	$\lambda_P$		565		nm	Measurement @Peak (Fig.1)
Dominant Wavelength	$\lambda_d$	564	569	574	nm	IF=10 mA, Note 4
Spectral Line Half-Width	$\Delta\lambda$		30		nm	
Forward Voltage	VF		2.1	2.6	V	IF=20mA
Reverse Current	IR			100	$\mu$ A	VR = 5V, Note 6

#### NOTE:

- Luminous intensity is measured with a light sensor and filter combination that approximates the CIE eye-response curve.
- $\theta_{1/2}$  is the off-axis angle at which the luminous intensity is half the axial luminous intensity.
- Iv classification code is marked on each packing bag.
- The dominant wavelength,  $\lambda_d$  is derived from the CIE chromaticity diagram and represents the single wavelength which defines the color of the device.
- Iv guarantee must be included with  $\pm 15\%$  testing tolerance.
- Reverse voltage (VR) condition is applied for IR test only. The device is not designed for reverse operation.

# Through Hole Lamp LTL-42M4NH106

## 5. Typical Electrical / Optical Characteristics Curves

(25°C Ambient Temperature Unless Otherwise Noted)

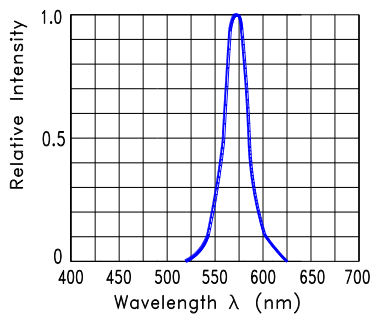


Fig.1 Relative Intensity VS. Wavelength

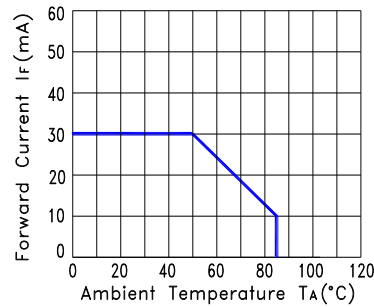


Fig.2 Forward Current Derating Curve

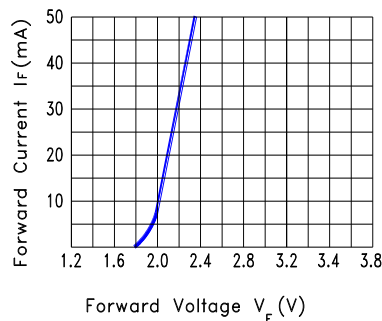


Fig.3 Forward Current vs. Forward Voltage

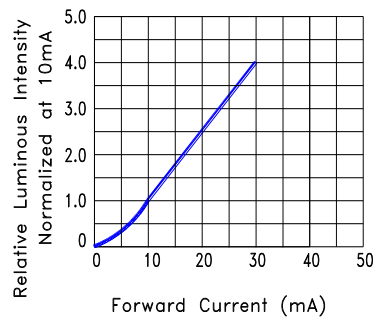


Fig.4 Relative Luminous Intensity vs. Forward Current

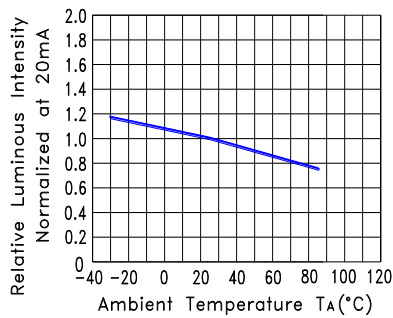


Fig.5 Relative Luminous Intensity VS. Ambient Temperature

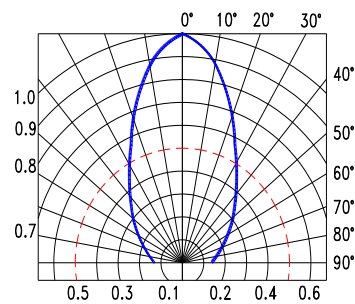
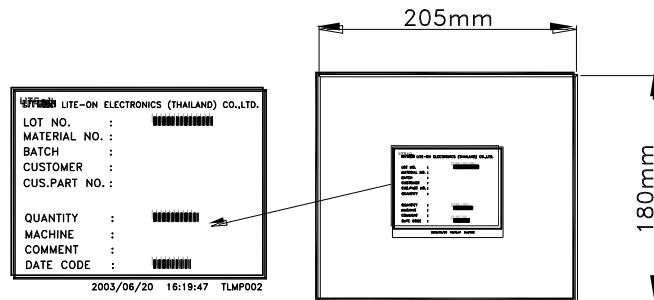


Fig.6 Spatial Distribution

## Through Hole Lamp LTL-42M4NH106

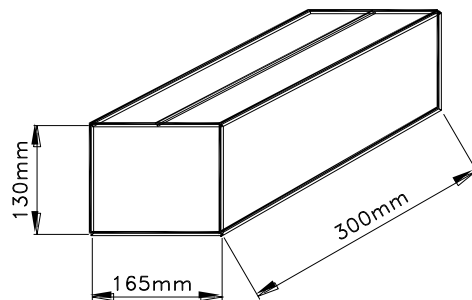
### 6. Packing Specification

500, 200 or 100 pcs per packing bag



10 packing bags per inner carton

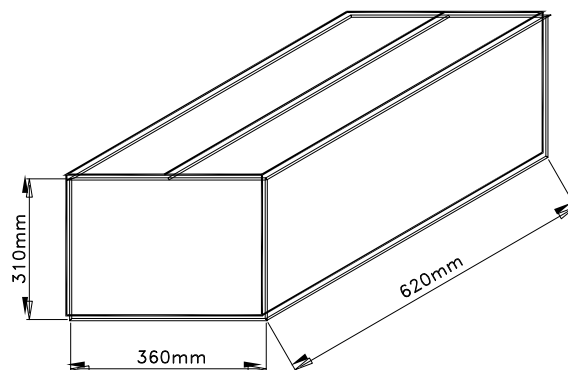
Total 5,000 pcs per inner carton



8 Inner cartons per outer carton

Total 40,000 pcs per outer carton

In every shipping lot, only the last pack will be non-full packing



**Through Hole Lamp**  
**LTL-42M4NH106**

**7. Bin Table Specification**

Luminous Intensity, Unit: mcd, IF=10mA		
Iv Bin Code	Min.	Max.
N1	50	85
M1	29	50
L1	19	29
L2	12.6	19
L3	8.7	12.6
L4	5.6	8.7

Note: Tolerance of each bin limit is  $\pm 15\%$

Dominant Wavelength, Unit: nm, IF=10mA		
Hue Bin Code	Min.	Max.
YG	571.0	574.0
PG	569.5	571.0
GG	568.0	569.5
GG1	566.0	568.0
GG2	564.0	566.0

Note: Tolerance of each bin limit is  $\pm 1\text{nm}$

# Through Hole Lamp LTL-42M4NH106

## 8. CAUTIONS

### 8.1. Application

This LED lamp is good for application of indoor and outdoor sign, also ordinary electronic equipment.

### 8.2. Storage

The storage ambient for the LEDs should not exceed 30°C temperature or 70% relative humidity. It is recommended that LEDs out of their original packaging are used within three months. For extended storage out of their original packaging, it is recommended that the LEDs be stored in a sealed container with appropriate desiccant or in desiccators with nitrogen ambient.

### 8.3. Cleaning

Use alcohol-based cleaning solvents such as isopropyl alcohol to clean the LEDs if necessary.

### 8.4. Lead Forming & Assembly

During lead forming, the leads should be bent at a point at least 3mm from the base of LED lens. Do not use the base of the lead frame as a fulcrum during forming. Lead forming must be done before soldering, at normal temperature. During assembly on PCB, use minimum clinch force possible to avoid excessive mechanical stress.

### 8.5. Soldering

When soldering, leave a minimum of 2mm clearance from the base of the lens/Holder to the soldering point. Dipping the lens/Holder into the solder must be avoided. Do not apply any external stress to the lead frame during soldering while the LED is at high temperature.

#### Recommended soldering conditions:

Soldering iron		Wave soldering	
Temperature	350°C Max.	Pre-heat	120°C Max.
Soldering time	3 seconds Max. (one time only)	Pre-heat time	100 seconds Max.
Position	No closer than 2mm from the base of the epoxy bulb	Solder wave	260°C Max.
		Soldering time	5 seconds Max.
		Dipping Position	No lower than 2mm from the base of the epoxy bulb

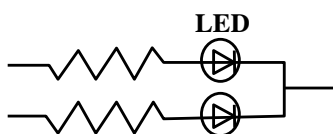
Note: Excessive soldering temperature and/or time might result in deformation of the LED lens or catastrophic failure of the LED.

IR reflow is not suitable process for through hole type LED lamp product. Max temperature of wave soldering is not means that Holder's HDT/Melting temperature.

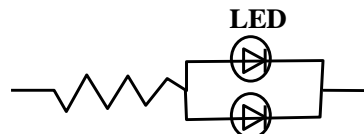
### 8.6. Drive Method

An LED is a current-operated device. In order to ensure intensity uniformity on multiple LEDs connected in parallel in an application, it is recommended that a current limiting resistor be incorporated in the drive circuit, in series with each LED as shown in Circuit A below.

Circuit model (A)



Circuit model (B)





## Through Hole Lamp LTL-42M4NH106

(A) Recommended circuit

(B) The brightness of each LED might appear different due to the differences in the I-V characteristics of those LEDs.

### 8.7. ESD (Electrostatic Discharge)

#### Static Electricity or power surge will damage the LED.

##### Suggestions to prevent ESD damage:

- Use a conductive wrist band or anti- electrostatic glove when handling these LEDs
- All devices, equipment, and machinery must be properly grounded
- Work tables, storage racks, etc. should be properly grounded
- Use ion blower to neutralize the static charge which might have built up on surface of the LEDs plastic lens as a result of friction between LEDs during storage and handing

##### Suggested checking list:

##### Training and Certification

8.7.1.1. Everyone working in a static-safe area is ESD-certified?

8.7.1.2. Training records kept and re-certification dates monitored?

##### Static-Safe Workstation & Work Areas

8.7.2.1. Static-safe workstation or work-areas have ESD signs?

8.7.2.2. All surfaces and objects at all static-safe workstation and within 1 ft measure less than 100V?

8.7.2.3. All ionizer activated, positioned towards the units?

8.7.2.4. Each work surface mats grounding is good?

##### Personnel Grounding

8.7.3.1. Every person (including visitors) handling ESD sensitive (ESDS) items wear wrist strap, heel strap or conductive shoes with conductive flooring?

8.7.3.1. If conductive footwear used, conductive flooring also present where operator stand or walk?

8.7.3.2. Garments, hairs or anything closer than 1 ft to ESD items measure less than 100V\*?

8.7.3.3. Every wrist strap or heel strap/conductive shoes checked daily and result recorded for all DLs?

8.7.3.4. All wrist strap or heel strap checkers calibration up to date?

Note: \*50V for Blue LED.

##### Device Handling

8.7.4.1. Every ESDS items identified by EIA-471 labels on item or packaging?

8.7.4.2. All ESDS items completely inside properly closed static-shielding containers when not at static-safe workstation?

8.7.4.3. No static charge generators (e.g. plastics) inside shielding containers with ESDS items?

8.7.4.4. All flexible conductive and dissipative package materials inspected before reuse or recycle?

##### Others

8.7.5.1. Audit result reported to entity ESD control coordinator?

8.7.5.2. Corrective action from previous audits completed?

8.7.5.3. Are audit records complete and on file?

## Through Hole Lamp LTL-42M4NH106

### 9. Reliability Test

Classification	Test Item	Test Condition	Sample Size	Reference Standard
Endurance Test	Operation Life	Ta = Under Room Temperature IF= Per Data Sheet Maximum Rating Test Time= 1000hrs	22 PCS (CL=90%; LTPD=10%)	MIL-STD-750D:1026 (1995) MIL-STD-883G:1005 (2006)
	High Temperature High Humidity storage	Ta = 60°C RH = 90% Test Time= 240hrs	22 PCS (CL=90%; LTPD=10%)	MIL-STD-202G:103B (2002) JEITA ED-4701:100 103 (2001)
	High Temperature Storage	Ta= 105 ± 5°C Test Time= 1000hrs	22 PCS (CL=90%; LTPD=10%)	MIL-STD-750D:1031 (1995) MIL-STD-883G:1008 (2006) JEITA ED-4701:200 201 (2001)
	Low Temperature Storage	Ta= -55 ± 5°C Test Time= 1000hrs	22 PCS (CL=90%; LTPD=10%)	JEITA ED-4701:200 202 (2001)
Environmental Test	Temperature Cycling	100°C ~ 25°C ~ -40°C ~ 25°C 30mins 5mins 30mins 5mins Test time: 30 Cycles	22 PCS (CL=90%; LTPD=10%)	MIL-STD-750D:1051 (1995) MIL-STD-883G:1010 (2006) JEITA ED-4701:100 105 (2001) JESD22-A104C (2005)
	Thermal Shock	100 ± 5°C ~ -30°C ± 5°C 15mins 15mins Test time: 30 Cycles	22 PCS (CL=90%; LTPD=10%)	MIL-STD-750D:1056 (1995) MIL-STD-883G:1011 (2006) MIL-STD-202G:107G (2002) JESD22-A106B (2004)
	Solder Resistance	T. sol = 260 ± 5°C Dwell Time= 10±1 seconds 3mm from the base of the epoxy bulb	11 PCS (CL=90%; LTPD=18.9%)	MIL-STD-750D:2031(1995) JEITA ED-4701: 300 302 (2001)
	Solderability	T. sol = 245 ± 5°C Dwell Time= 5 ± 0.5 seconds (Lead Free Solder, Coverage ≥ 95% of the dipped surface)	11 PCS (CL=90%; LTPD=18.9%)	MIL-STD-750D:2026 (1995) MIL-STD-883G:2003 (2006) MIL-STD-202G:208H (2002) IPC/EIA J-STD-002 (2004)
	Soldering Iron	T. sol = 350 ± 5°C Dwell Time= 3.5 ± 0.5 seconds	11 PCS (CL=90%; LTPD=18.9%)	MIL-STD-202G:208H (2002) JEITA ED-4701:300 302 (2001)

### 10. Others

The appearance and specifications of the product may be modified for improvement, without prior notice.

单击下面可查看定价，库存，交付和生命周期等信息

[>>Lite-On\(光宝\)](#)