



SMD LED
Product Data Sheet
LTST-G563EGBW

Spec No. :DS22-2012-0212
Effective Date: 12/11/2018
Revision: C

LITE-ON DCC

RELEASE

BNS-OD-FC001/A4

SMD LED LTST-G563EGBW

1. Description

SMD LEDs from Lite-On are available in miniature sizes and special configurations for automated PC board assembly and space-sensitive applications. These SMD LEDs are suitable for use in a wide variety of electronic equipment, including cordless and cellular phones, notebook computers, network systems, home appliances, and indoor signboard applications.

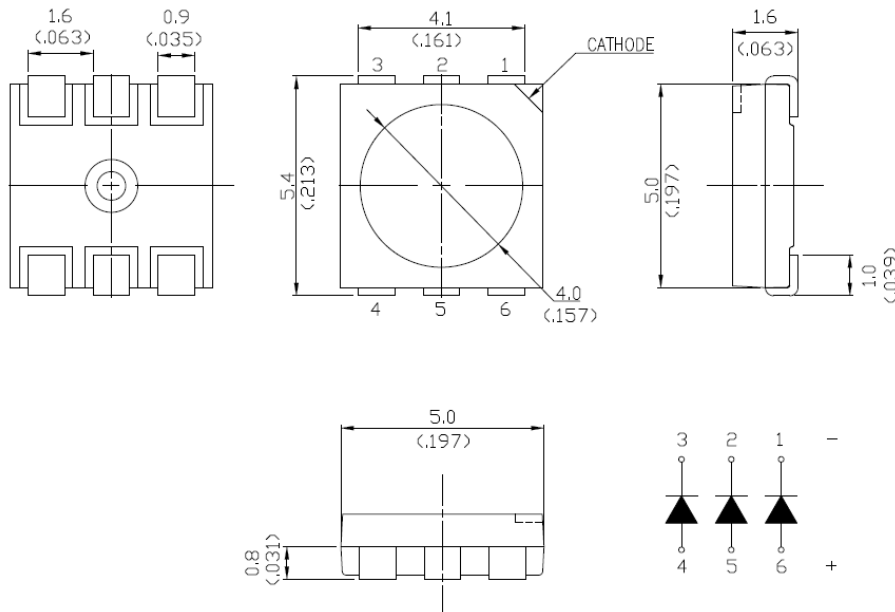
1.1 Features

- Meet ROHS
- Package in 12mm tape on 7" diameter reels
- EIA STD package
- I.C. compatible
- Compatible with automatic placement equipment
- Compatible with infrared reflow solder process
- Preconditioning: accelerate to JEDEC level 3

1.2 Applications

- Telecommunication, Office automation, home appliances, industrial equipment
- Status indicator
- Signal and Symbol Luminary
- Front panel backlighting

2. Package Dimensions



Part No.	Lens Color	Source Color	Pin Assignment
LTST-G563EGBW	White Diffused	AllInGaP Red	3, 4
		InGaN Green	2, 5
		InGaN Blue	1, 6

Notes:

1. All dimensions are in millimeters.
2. Tolerance is ± 0.2 mm (.008") unless otherwise noted.

**SMD LED
LTST-G563EGBW**

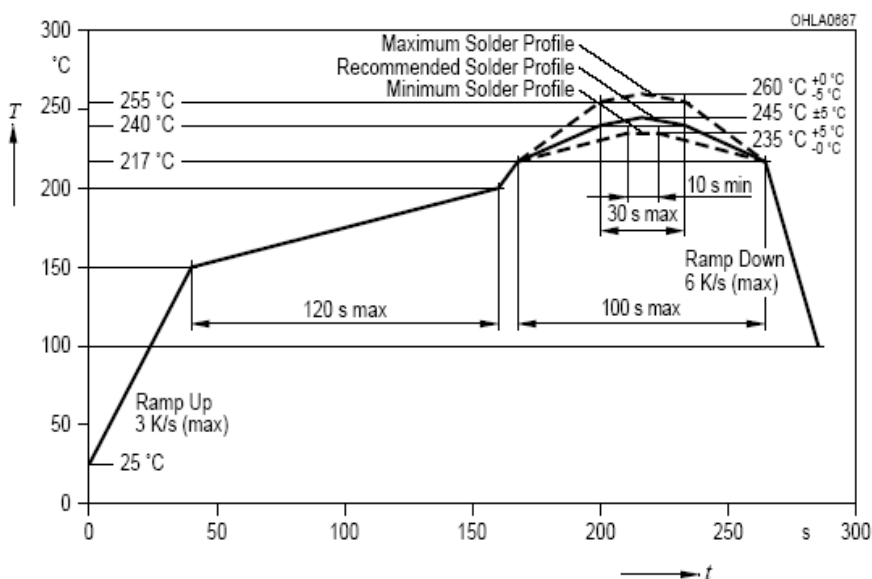
3. Rating and Characteristics

3.1 Absolute Maximum Ratings at Ta=25°C

Parameter	LTST-G563EGBW			Unit
	Red	Green	Blue	
Power Dissipation	130	114	114	mW
Peak Forward Current (1/10 Duty Cycle, 0.1ms Pulse Width)	100	100	100	mA
DC Forward Current	50	30	30	mA
Operating Temperature Range	-40°C to + 85°C			
Storage Temperature Range	-40°C to + 100°C			

3.2 Suggest IR Reflow Condition for Pb Free Process:

IR-Reflow Soldering Profile for lead free soldering (Acc. to J-STD-020B)



SMD LED LTST-G563EGBW

3.3 Electrical / Optical Characteristics at Ta=25°C

Parameter	Symbol	LTST-G563EGBW				Unit.	Test Condition
			Red	Green	Blue		
Luminous Intensity	I _v	MIN.	560	1400	280	mcd	IF=20mA Note 1
		TYP.	-	-	-		
		MAX.	1120	2800	560		
Viewing Angle	2θ _{1/2}	TYP.	120			deg	Note 2 (Fig.5)
Peak Emission Wavelength	λ _P	TYP.	630	518	468	nm	Measurement @ Peak (Fig.1)
Dominant Wavelength	λ _d	MIN.	617	520	465	nm	Note 3
		TYP.	-	-	-		
		MAX.	629	530	475		
Spectral Line Half-Width	Δλ	TYP.	25	35	20	nm	-
Forward Voltage	V _F	MIN.	1.8	2.8	2.8	V	IF=20mA Note 4
		TYP.	-	-	-		
		MAX.	2.6	3.8	3.8		
Reverse Current	I _R	MAX.	10	10	10	μA	VR = 5V Note 5

Notes:

1. Luminous intensity is measured with a light sensor and filter combination that approximates the CIE eye-response curve.
2. θ_{1/2} is the off-axis angle at which the luminous intensity is half the axial luminous intensity.
3. The dominant wavelength, λ_d is derived from the CIE chromaticity diagram and represents the single wavelength which defines the color of the device.
4. Tolerance of Forward Voltage is +/- 0.1V.
5. Reverse voltage (VR) condition is applied to I_R test only. The device is not designed for reverse operation.

**SMD LED
LTST-G563EGBW**

4. Bin Code List

◆ **Luminous Intensity**

Luminous Intensity Color : <u>Red</u> , Unit : mcd @ 20mA		
Bin Code	Min.	Max.
U2	560.0	710.0
V1	710.0	900.0
V2	900.0	1120.0

Tolerance on each Intensity bin is +/-11%

Luminous Intensity Color : <u>Green</u> , Unit : mcd @ 20mA		
Bin Code	Min.	Max.
W2	1400.0	1800.0
X1	1800.0	2240.0
X2	2240.0	2800.0

Tolerance on each Intensity bin is +/-11%

Luminous Intensity Color : <u>Blue</u> , Unit : mcd @ 20mA		
Bin Code	Min.	Max.
T1	280.0	355.0
T2	355.0	450.0
U1	450.0	560.0

Tolerance on each Intensity bin is +/-11%

**SMD LED
LTST-G563EGBW**

◆ Dominant Wavelength

Dominant Wavelength Color : <u>Green</u> , Unit : nm @ 20mA		
Bin Code	Min.	Max.
AP	520.0	525.0
AQ	525.0	530.0

Tolerance on each Dominant Wavelength bin is +/-1nm

Dominant Wavelength Color : <u>Blue</u> , Unit : nm @ 20mA		
Bin Code	Min.	Max.
AC	465.0	470.0
AD	470.0	475.0

Tolerance on each Dominant Wavelength bin is +/-1nm

**SMD LED
LTST-G563EGBW**

◆ Bin Code on Tag Cross Table

Luminous Intensity Unit : mcd @ 20mA						
Bin Code On Tag	Red		Green		Blue	
	Code	Range	Code	Range	Code	Range
A1	U2	560-710	W2	1400-1800	T1	280-355
A2					T2	355-450
A3					U1	450-560
A4			X1	1800-2240	T1	280-355
A5					T2	355-450
A6					U1	450-560
A7			X2	2240-2800	T1	280-355
A8					T2	355-450
A9					U1	450-560
B1	V1	710-900	W2	1400-1800	T1	280-355
B2					T2	355-450
B3					U1	450-560
B4			X1	1800-2240	T1	280-355
B5					T2	355-450
B6					U1	450-560
B7			X2	2240-2800	T1	280-355
B8					T2	355-450
B9					U1	450-560

Tolerance for each Intensity bin is +/- 11%

**SMD LED
LTST-G563EGBW**

Luminous Intensity			Unit : mcd @ 20mA			
Bin Code On Tag	Red		Green		Blue	
	Code	Range	Code	Range	Code	Range
C1	V2	900-1120	W2	1400-1800	T1	280-355
C2					T2	355-450
C3					U1	450-560
C4			X1	1800-2240	T1	280-355
C5					T2	355-450
C6					U1	450-560
C7			X2	2240-2800	T1	280-355
C8					T2	355-450
C9					U1	450-560

Tolerance for each Intensity bin is +/- 11%

Dominant Wavelength			Unit : nm @ 20mA			
Bin Code On Tag	Red		Green		Blue	
	Code	Range	Code	Range	Code	Range
D1	-	617-629	AP	520-525	AC	465-470
D2					AD	470-475
D3			AQ	525-530	AC	465-470
D4					AD	470-475

Tolerance for each Dominate Wavelength bin is +/- 1nm

**SMD LED
LTST-G563EGBW**

5. Typical Electrical / Optical Characteristics Curves.

(25°C Ambient Temperature Unless Otherwise Noted)

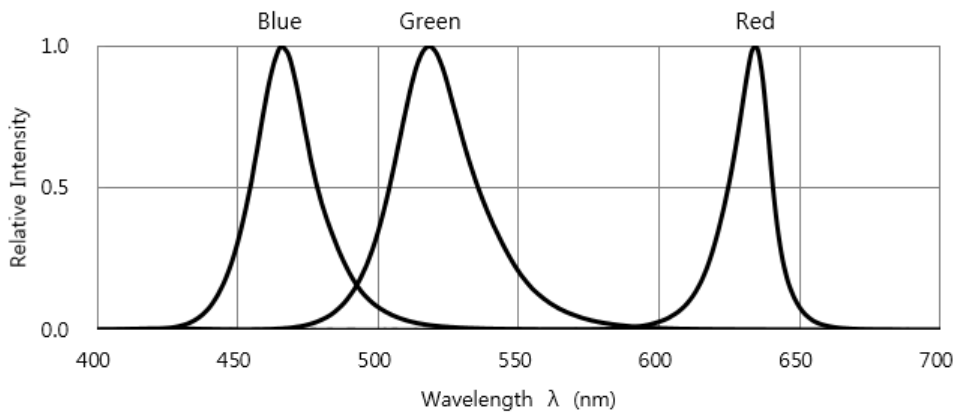


Fig. 1 RELATIVE INTENSITY VS. WAVELENGTH

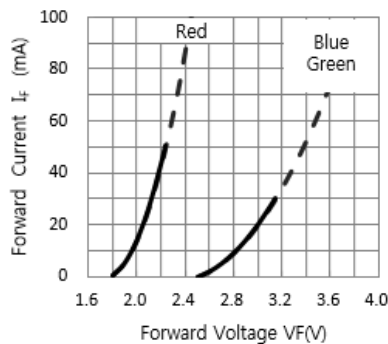


Fig. 2 FORWARD CURRENT VS. FORWARD VOLTAGE

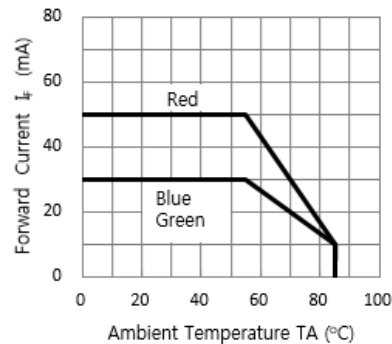


Fig. 3 FORWARD CURRENT VS. DERATING CURVE

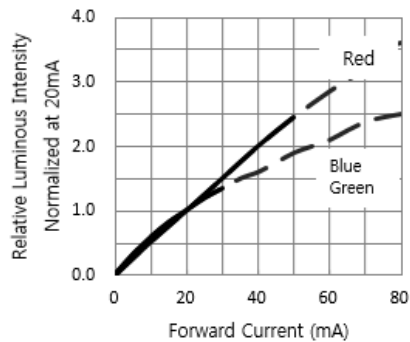


Fig. 4 RELATIVE LUMINOUS INTENSITY VS. FORWARD CURRENT

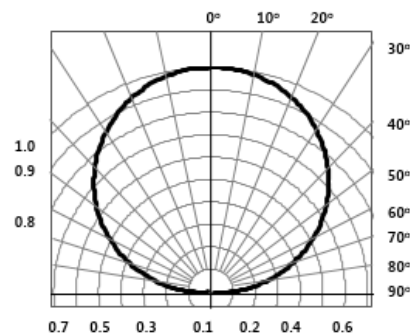


Fig. 5 Spatial Distribution

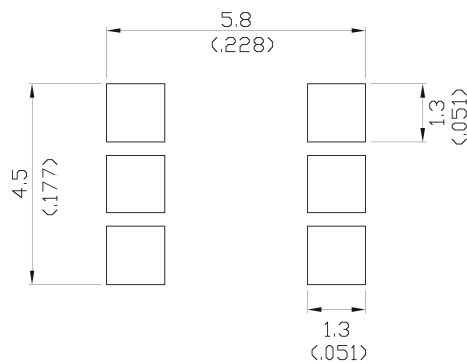
SMD LED LTST-G563EGBW

6. User Guide

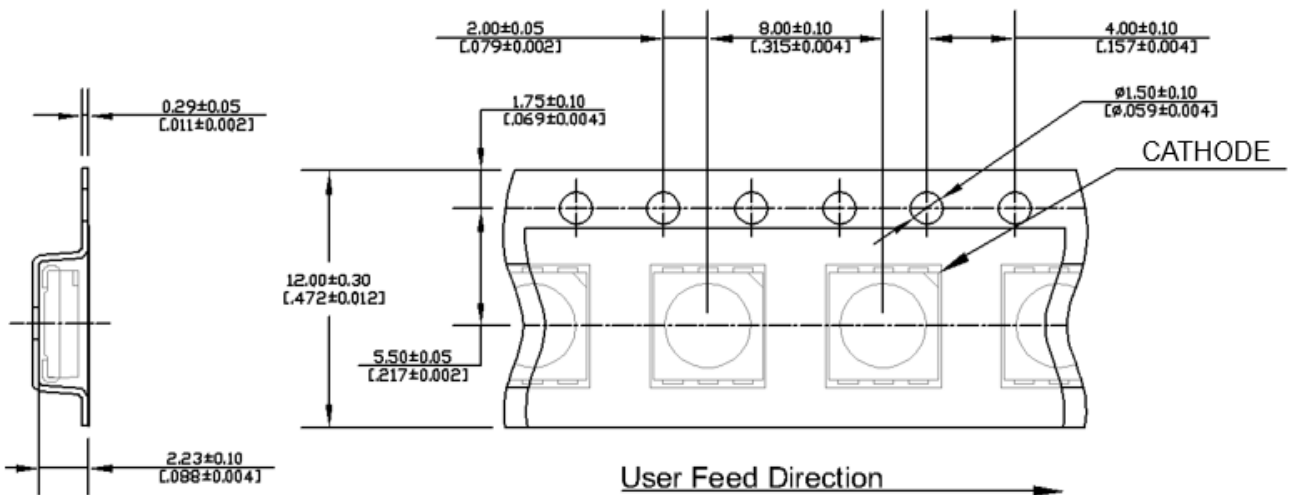
6.1 Cleaning

Do not use unspecified chemical liquid to clean LED they could harm the package. If cleaning is necessary, immerse the LED in ethyl alcohol or isopropyl alcohol at normal temperature for less one minute.

6.2 Recommend Printed Circuit Board Attachment Pad



6.3 Package Dimensions of Tape and Reel

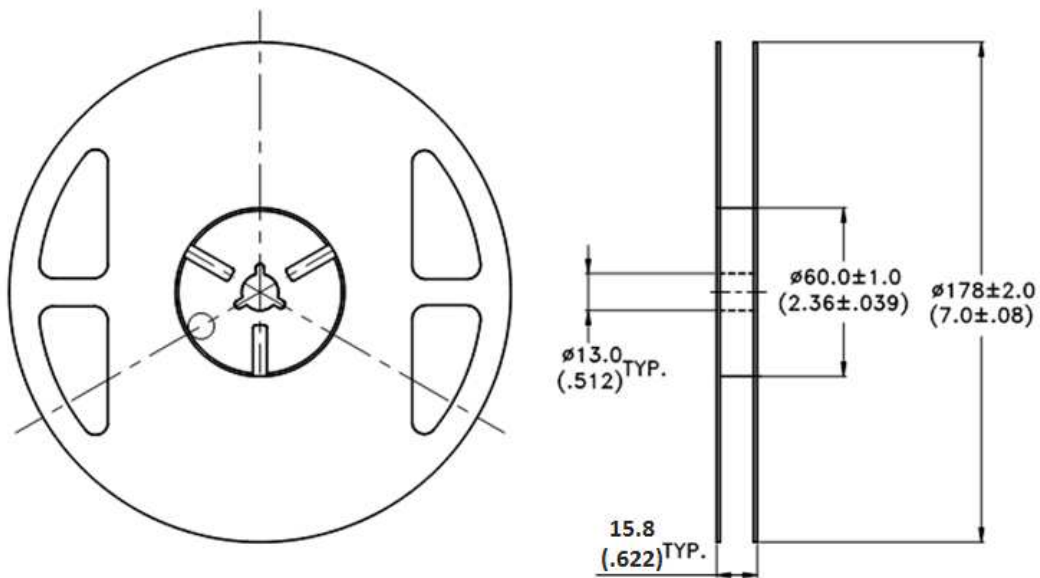


Note:

1. All dimensions are in millimeters (inches).

**SMD LED
LTST-G563EGBW**

6.4 Package Dimensions of Reel



Notes:

1. Empty component pockets sealed with top cover tape.
2. 7 inch reel 1000 pieces per reel.
3. Minimum packing quantity is 500 pieces for remainders.
4. The maximum number of consecutive missing lamps is two.
5. In accordance with EIA-481-1-B specifications.

SMD LED LTST-G563EGBW

7. Cautions

7.1 Application

The LEDs described here are intended to be used for ordinary electronic equipment (such as office equipment, communication equipment and household applications). Consult Liteon's Sales in advance for information on applications in which exceptional reliability is required, particularly when the failure or malfunction of the LEDs may directly jeopardize life or health (such as in aviation, transportation, traffic control equipment, medical and life support systems and safety devices).

7.2 Storage

The package is sealed:

The LEDs should be stored at 30°C or less and 70%RH or less. And the LEDs are limited to use within one year, while the LEDs is packed in moisture-proof package with the desiccants inside.

The package is opened:

The storage ambient for the LEDs should not exceed 30°C temperature and 60% relative humidity.

It is recommended that LEDs out of their original packaging are IR-reflowed within 168hrs.

For extended storage out of their original packaging, it is recommended that the LEDs be stored in a sealed container with appropriate desiccant, or in a desiccators with nitrogen ambient.

LEDs stored out of their original packaging for more than 168hrs should be baked at about 60 °C for at least 48 hours before solder assembly.

7.3 Cleaning

Use alcohol-based cleaning solvents such as isopropyl alcohol to clean the LED if necessary.

7.4 Soldering

Recommended soldering conditions:

Reflow soldering		Soldering iron	
Pre-heat	150~200°C	Temperature	300°C Max.
Pre-heat time	120 sec. Max.	Soldering time	3 sec. Max.
Peak temperature	260°C Max.		(one time only)
Soldering time	10 sec. Max.(Max. two times)		

Notes:

Because different board designs use different number and types of devices, solder pastes, reflow ovens, and circuit boards, no single temperature profile works for all possible combinations.

However, you can successfully mount your packages to the PCB by following the proper guidelines and PCB-specific characterization.

LITE-ON Runs both component-level verification using in-house **KYRAMX98** reflow chambers and board-level assembly. The results of this testing are verified through post-reflow reliability testing. Profiles used at LITE-ON are based on JEDEC standards to ensure that all packages can be successfully and reliably surface mounted.

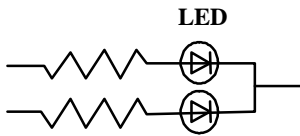
Figure on page3 shows a sample temperature profile compliant to JEDEC standards. You can use this example as a generic target to set up your reflow process. You should adhere to the JEDEC profile limits as well as specifications and recommendations from the solder paste manufacturer to avoid damaging the device and create a reliable solder joint.

**SMD LED
LTST-G563EGBW**

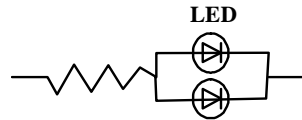
7.5 Drive Method

A LED is a current-operated device. In order to ensure intensity uniformity on multiple LEDs connected in parallel in an application, it is recommended that a current limiting resistor be incorporated in the drive circuit, in series with each LED as shown in Circuit A below.

Circuit model A



Circuit model B



(A) Recommended circuit.

(B) The brightness of each LED might appear different due to the differences in the I-V characteristics of those LEDs.

7.6 ESD (Electrostatic Discharge)

Static Electricity or power surge will damage the LED.

Suggestions to prevent ESD damage:

- Use of a conductive wrist band or anti-electrostatic glove when handling these LEDs.
- All devices, equipment, and machinery must be properly grounded.
- Work tables, storage racks, etc. should be properly grounded.
- Use ion blower to neutralize the static charge which might have built up on surface of the LED's plastic lens as a result of friction between LEDs during storage and handling.

ESD-damaged LEDs will exhibit abnormal characteristics such as high reverse leakage current, low forward voltage, or "no lightup" at low currents.

To verify for ESD damage, check for "lightup" and V_f of the suspect LEDs at low currents.

The V_f of "good" LEDs should be $>2.0V@0.1mA$ for InGaP product and $>1.4V@0.1mA$ for AlInGaP product.

**SMD LED
LTST-G563EGBW**

8. Reliability Test

No.	Test item	Test condition	Reference standard
1	Resistance to soldering heat	Tsld = 260°C, 10sec. 3 times	JEITA ED-4701 300 301
2	Solderability	Tsld=245± 5°C (Lead Free Solder, Coverage ≥ 95% of the dipped surface)	JEITA ED-4701 300 303
3	Thermal Shock	85 ± 5°C ~ -30°C ± 5°C 30min 30min 100cycles	JEITA ED-4701 300 307
4	Temperature Cycle	-55°C ~ 25°C ~ 100°C ~ 25°C 30min 5min 30min 5min 100cycles	JEITA ED-4701 100 105
5	High Temperature Storage	100°C 1000hrs	JEITA ED- 4701 200 201
6	Low Temperature Storage	-55°C 1000hrs	JEITA ED-4 701 200 202
7	Temperature Humidity Storage	60°C/90%RH 300hrs	JEITA ED-4701 100 103
8	Room temp life test	25°C, IF: Max current , 1000hrs	--

9. Others

The appearance and specifications of the product may be modified for improvement without prior notice.

10. Suggested Checking List

Training and Certification

1. Everyone working in a static-safe area is ESD-certified?
2. Training records kept and re-certification dates monitored?

Static-Safe Workstation & Work Areas

1. Static-safe workstation or work-areas have ESD signs?
2. All surfaces and objects at all static-safe workstation and within 1 ft measure less than 100V?
3. All ionizer activated, positioned towards the units?
4. Each work surface mats grounding is good?

Personnel Grounding

1. Every person (including visitors) handling ESD sensitive (ESDS) items wears wrist strap, heel strap or conductive shoes with conductive flooring?
2. If conductive footwear used, conductive flooring also present where operator stand or walk?
3. Garments, hairs or anything closer than 1 ft to ESD items measure less than 100V*?
4. Every wrist strap or heel strap/conductive shoes checked daily and result recorded for all DLs?
5. All wrist strap or heel strap checkers calibration up to date?

Note: *50V for InGaN LED.

Device Handling

1. Every ESDS items identified by EIA-471 labels on item or packaging?
2. All ESDS items completely inside properly closed static-shielding containers when not at static-safe workstation?
3. No static charge generators (e.g. plastics) inside shielding containers with ESDS items?
4. All flexible conductive and dissipative package materials inspected before reuse or recycles?

Others

1. Audit result reported to entity ESD control coordinator?
2. Corrective action from previous audits completed?
3. Are audit records complete and on file?

单击下面可查看定价，库存，交付和生命周期等信息

[>>Lite-On\(光宝\)](#)