

850/851/852/853 Series Enclosed Fuse Holders for 5x20mm Fuses



Agency Approval				
Agency	Part Number			
	850	851	852	853
Agency File Number				
	400345355		40033885	
E70164				

Additional Information



Datasheet
850 Series



Resources
850 Series



Samples
850 Series



Datasheet
851 Series



Resources
851 Series



Samples
851 Series



Datasheet
852 Series



Resources
852 Series



Samples
852 Series



Datasheet
853 Series



Resources
853 Series



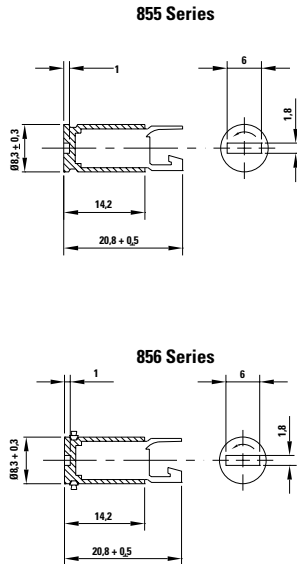
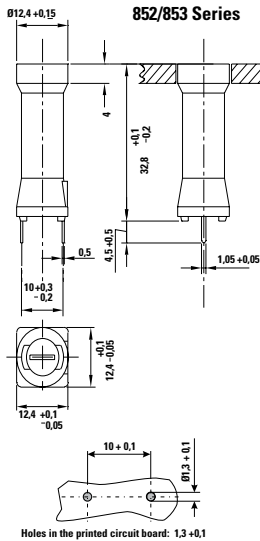
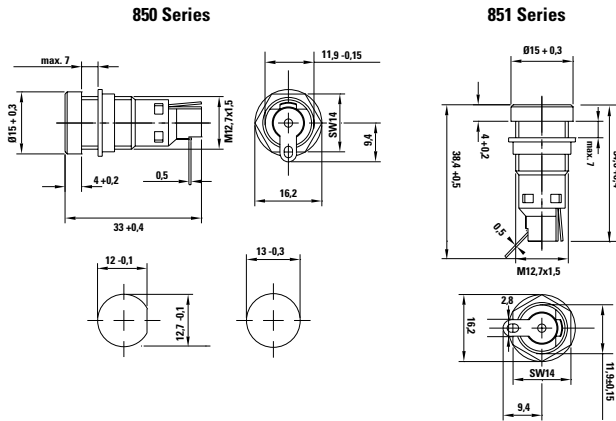
Samples
853 Series

Product Characteristics

	850/851 Series	852/853 Series
Compatible Fuse	5x20mm	
Materials	Holder: Black Thermoplastic	
	Cap: Black Thermoplastic Both UL94V0	
	Sealing Ring: Silicon (Cap 856)	
	Metal Parts: Copper alloy, corrosion protected	
Electrical Data (23°C)	Terminals: Solderable tinned	
	Rated Voltage: 250V	
	Rated Current: 10A (UL and VDE)	Rated Current: 6.3A (VDE) 12A (UL)
	Rated Power: 3.2W (VDE)	Rated Power: 2W (VDE)
Mounting	12.7mm diameter D-hole or 13mm round hole Admissible torque on plastic hex nut is 1.2Nm	(2) Solder pins 0.5mm×1.1mm
	Terminals	
Protection Class & Category	Solderable only, 4mm×0.5mm (850)	
	Solderable or 2.8mm quick connect - fits 0.5mm tab (851)	
Operating Temp.	IP 40 (with Cap 855 acc. to IEC 60529) IP 54 (with Cap 856 acc. to IEC 60529) PC2 (IEC 60127-6)	
Climatic Test	-40°C to +85°C	
Stock Conditions	-40°C/+85°C/21 days (IEC 60068-2-1...3)	
Contact Resistance	0°C to 60°C, Max 70% R.H.	
Impulse Voltage	≤ 5mΩ at 20mV	
Insulation Resistance	4 kV, 50Hz, 1 min., dry	
Solderability	> 10 ³ MΩ (500VDC, 1 min.)	
	350°C/2 sec. acc to IEC 60068-2-20, Test Ta, method 2	235°C/2 sec. acc to IEC 60068-2-20, Test Tb, method 1
Soldering Heat Resistance	350°C/10 sec. acc to IEC 60068-2-20, Test Tb, method 2	
Minimum Cross Section	260°C/10 sec. acc to IEC 60068-2-20, Test Tb, method 1A	
Marking	Conductor - 1.5mm ²	
Unit Weight	Conducting path - 0.2mm ²	
	Part No., 250V, Approvals	
	4.1g (850) / 1.8g (855) 4.2g (851) / 1.9g (856)	3.2g (852) / 1.8g (855) 3.2g (853) / 1.9g (856)

Note: Refer to [Fuseology](#) for information on proper fuseholder re-rating.

Dimensions



Ordering Information

Description	Ordering Number	Packaging
Cap, w/out ring (IP40)	85500001009	Bulk 100
Cap, w/silicon ring (IP54)	85600001009	Bulk 100
850 Series Holder (IP40)	85000001009	Bulk 100
851 Series Holder (IP54)	85100001009	Bulk 100
852 Series Holder (IP40)	85200001009	Bulk 100
853 Series Holder (IP54)	85300001009	Bulk 100

单击下面可查看定价，库存，交付和生命周期等信息

[>>Littelfuse\(美国力特\)](#)