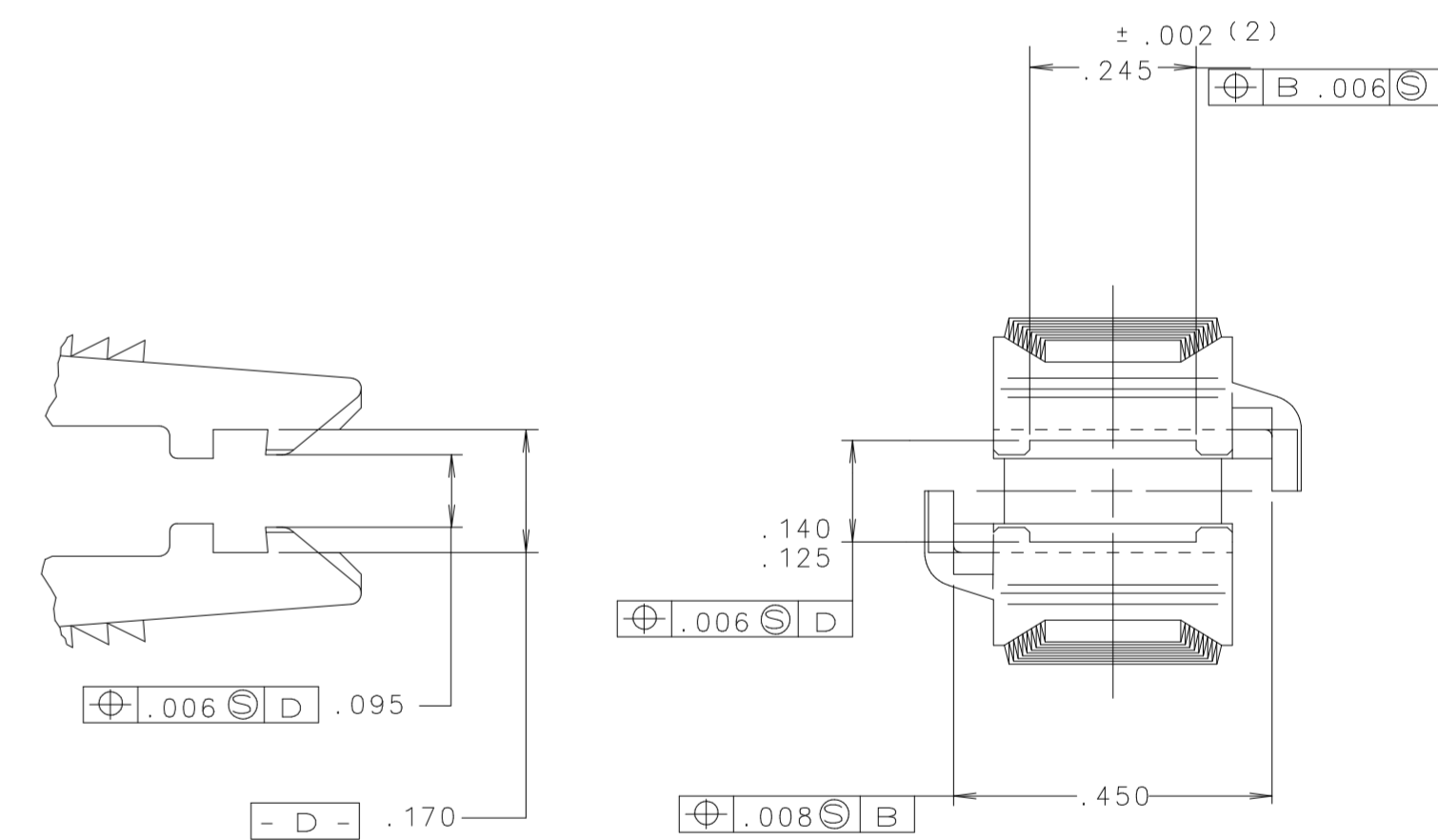
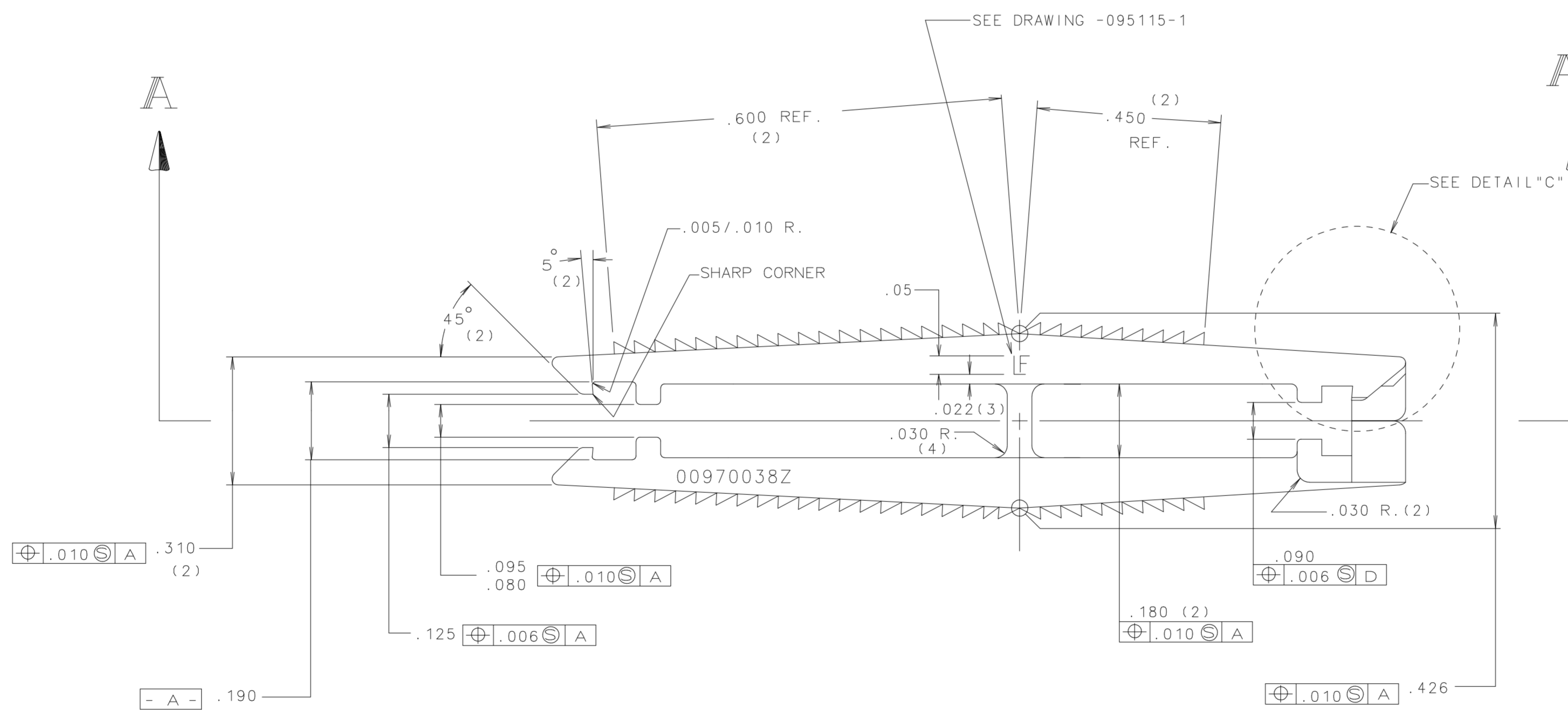
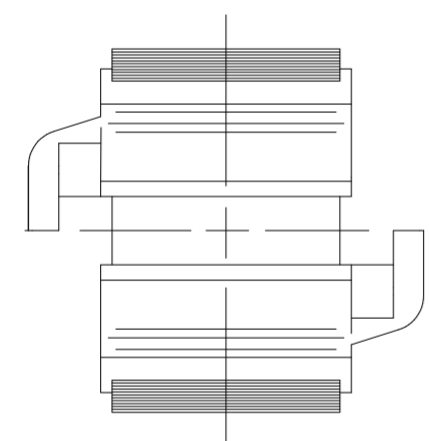
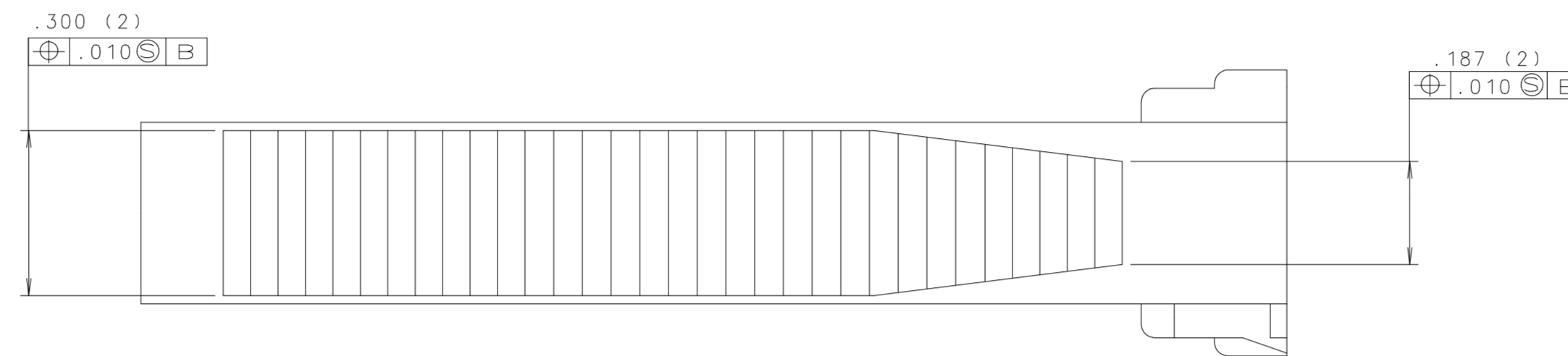
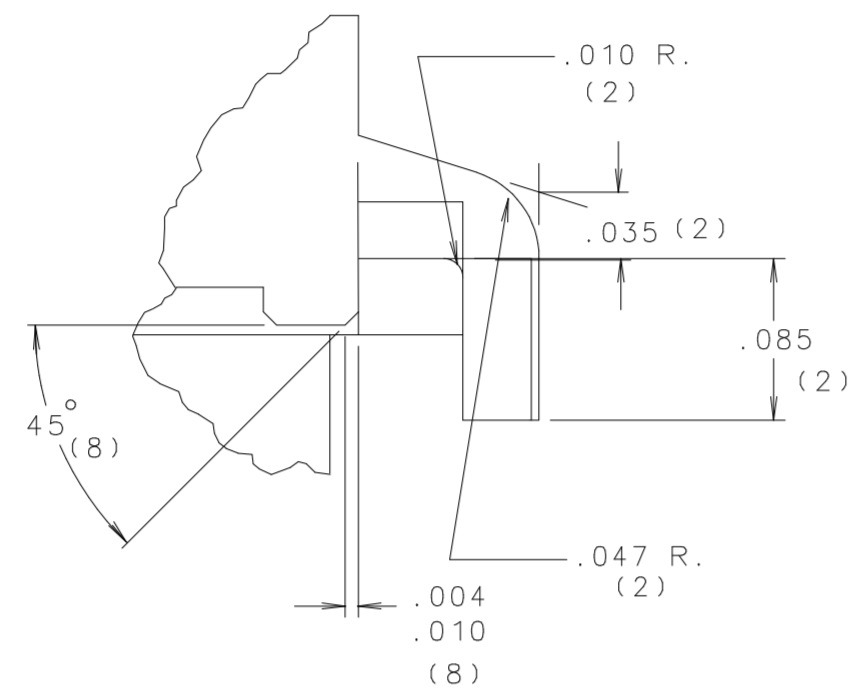


DETAIL "C"

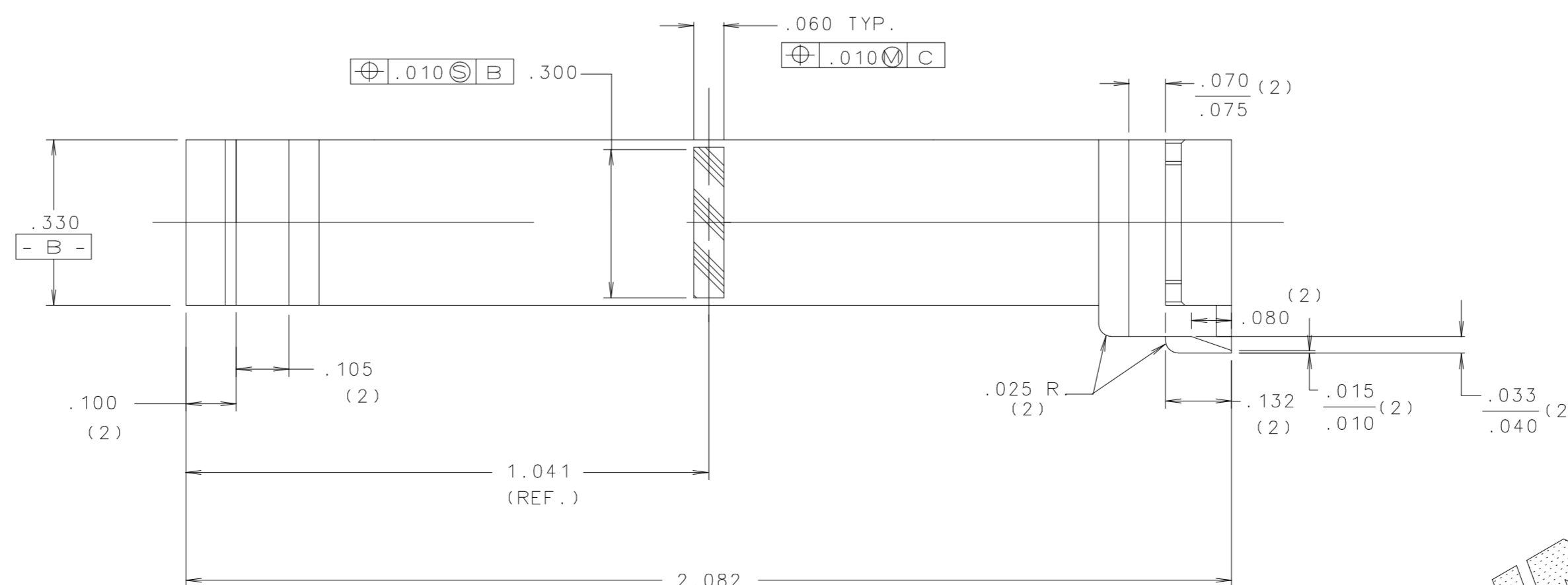


FUSE END GUIDES NOT SHOWN IN THIS VIEW.

NOTES

UNLESS OTHERWISE SPECIFIED:

- 1/2 DEGREE MAXIMUM DRAFT PER SIDE.
- EJECTOR PIN MARKS TO BE FLUSH TO .008 BELOW SURFACE.
- MAXIMUM FLASH LIMITS: .003" HEIGHT, .005" WIDTH.
- ALL DIMENSIONS ARE TYPICAL FOR REPEATED FEATURES.
- Ø END "A" & END "B" MUST BE CAPABLE TO BE SQUEEZED TO BOTTOM AND RETURN TO ITS NORMAL POSITION.
- LETTERING: .031 HIGH GOTHIC CHARACTERS, .003/.010 RAISED.
- ALL INTERNAL RADIUS TO BE .015 MAX.
- PACK 5000 PCS IN -890-750 POLYETHYLENE BAG. CLOSE WITH WIRE TIE -890-471. PLACE IN BOX -580143. LABEL BOX WITH COMPUTER GENERATED LABEL -914-796 AND SEAL WITH -088120 TAPE.



SECTION A-A

LTR	DATE	REVISION	CHK	APD
A	11/12/98	07735- RELEASED	JMB	
B	08/03/07	855436-CHG MATERIAL FROM 057321 TO 057348 AND 057892	DHM	

NO	COMPONENT NO	DESCRIPTION	QTY/M	U/M
-	914-796	LABEL, BAR CODE	.2	EA
-	890-750	POLY BAG	.2	EA
-	580143	CARTON	.2	EA
-	057348	NYLON RESIN	5.726	LB
-	057892	COLOR CONCENTRATE	.117	LB

BILL OF MATERIAL

UNLESS OTHERWISE SPECIFIED, DIMENSIONS DO NOT INCLUDE PLATING.
 O DENOTES OPTICAL CHARACTERISTICS.
 CPK DENOTES CPK DIMENSIONS - MINIMUM CPK VALUE
 CP DENOTES CP DIMENSIONS - MINIMUM CP VALUE
 FINISH DENOTES A CHARACTERISTIC THAT PROVIDES AN INDICATION OF PROCESS PERFORMANCE - MEASURE FOR MEASUREMENT AND TRACKING TO BE DEFINED IN THE FUSE INSPECTION INSTRUCTIONS.
 CP DENOTES CP DIMENSIONS - MINIMUM CP VALUE
 MUST BE WITHIN THE DIMENSIONAL LIMITATIONS SHOWN ON DRAWING AND INITIALLY LOCATED TO ALLOW FOR MAXIMUM TOOL LIFE.

NO	REV	DATE	BY	CHK	APPD	SCALE
1	9	18				
2	10	26				
3	12	20				
4	13	21				
5	14	23	JMB			2:1
6	15	33				
7	16	43				
8	17	53				

TOLERANCE UNLESS OTHERWISE SPECIFIED
 TWO PLACE DEC 1.01 FRACTION ±
 THREE PLACE DEC ±.005 ANGULAR ±1°

TITLE	REVISION	DRWG. NO.	FINAL
FUSE INSERTER AND EXTRACTOR (STD. & MINI ATO FUSES)	B	00970038Z	

UNCONTROLLED DOCUMENT

单击下面可查看定价，库存，交付和生命周期等信息

[>>Littelfuse\(美国力特\)](#)