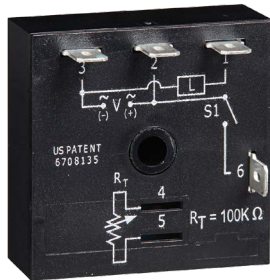
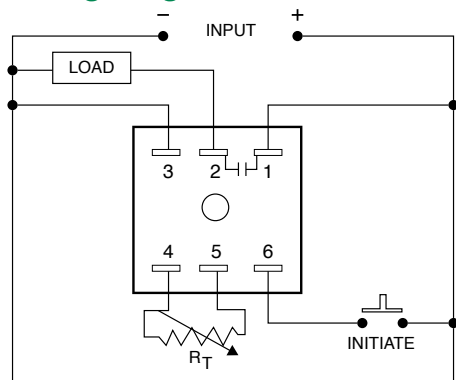


TSD94110SB

Retriggerable Single-Shot Timer



Wiring Diagram



NOTE: R_T is used when external adjustment is ordered.

Description

The TSD94110SB retriggerable single-shot timer is designed for a variety of applications. Its digital circuit provides long or short delays with accuracy and stability over a wide voltage and temperature range. It is the ideal timer for pulse-train monitoring of programmable controllers, or any system requiring motion detection.

Operation A Type

Power must be applied to input at all times prior to and during timing. Upon closure of initiate switch (momentary or maintained) the load is energized and the time delay is started. On completion of the delay period the load is de-energized. Should the initiate switch be reclosed during timing, the delay will be reset to zero and restarted.

Operation B Type

Upon application of input power, the load is energized and a time delay is started. At the end of the time delay, the load is de-energized. Should the initiate switch be closed or reclosed during timing, the delay is reset to zero and restarted.

Features & Benefits

- Excellent Pulse Train Monitor
- Totally Solid State and Encapsulated
- Microcontroller Circuitry
- Fast Reset to Zero During Timing
- Excellent Accuracy and Reliability
- DC Units are Reverse Polarity Protected

Specifications

Time Delay

Type	Microcontroller circuitry
Range	Factory fixed 10s
Repeat Accuracy	±0.5%
Tolerance	
(Factory Calibration)	±1%
Recycle Time	300ms max.
Time Delay vs. Temp. & Voltage	±2%
Initiate Timing	16ms max. AC
Input	
Operating Voltage	120 volts AC
Tolerance	±15%
Output	
Type	Solid State
Form	Normally open
Rating	1 ampere steady state, 10 amperes inrush at 55°C
Voltage Drop	AC 2.5 volts typical at 1 ampere
Protection	
Transient	Protected
Dielectric	1500 volts RMS
Insulation Resistance	100 megohms minimum 4.4

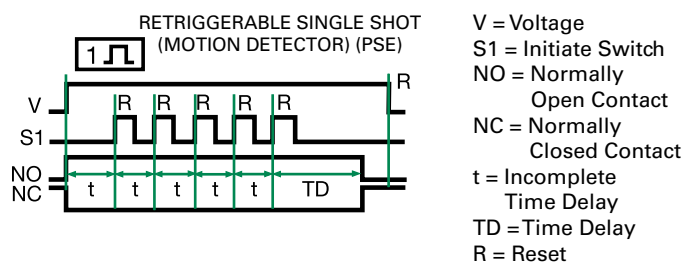
Mechanical

Mounting	Surface mount with one #8 or #10 screw
Termination	0.25 in. (6.35 mm) male quick connect terminals
Package	Molded housing with encapsulated circuitry
Dimensions	H 50.80 mm (2.00"); W 50.80 mm (2.00"); D 30.70 mm (1.21")

Environmental

Operating/Storage Temperature	-40°C to 60°C / -40°C to 85°C
Humidity	95% relative, non-condensing
Weight	Approx. 2.4 oz (68 g)

Function Diagram



单击下面可查看定价，库存，交付和生命周期等信息

[>>Littelfuse\(美国力特\)](#)