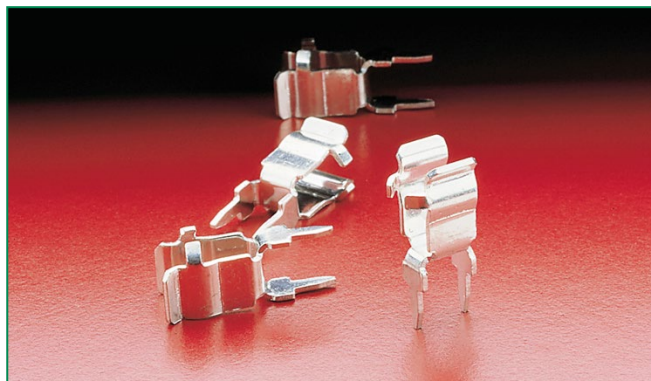




100/445/030/520 Series Circuit Board Mount Fuse Clips for 5mm Diameter Fuses



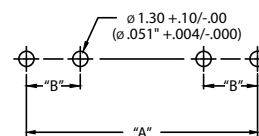
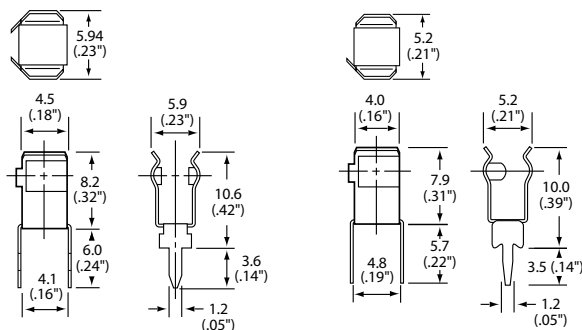
Product Characteristics

	100 054/056 series	100 020 series	445/030/520 series
Compatible Fuse Size	5mm Diameter Fuses 213, 215, 216, 217, 218, 219XA, 232, 233, 234, 235, 239, 477 and 977 Series		
Current Level	10 Amp max	20 Amp max	10 Amp max

Agency Approval

Agency	Agency File Number			
	100 054/056 series	445/030 series	100 020 series	520 series
	-	-	-	E14721
	-	-	E14721	-

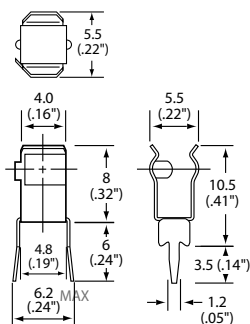
Product Dimensions



Recommended Mounting Dimensions

Fuse Size	A Dim.
5mm×20mm	20.5 (.807")
5mm×25mm	25.5 (1.004")
5mm×30mm	31.0 (1.220")

Clip Series	B Dim.
100 series	4.60±.05(.181"±.002)
445/030 series	5.20±.05(.205"±.002)
520 series	5.80±.05(.228"±.002)



0520 0001

Ordering Information

Ordering PN	Catalog No.	Clip Material	Plating	Style	Packaging
01000054Z	100 054	Spring Brass	Silver-plated	Ear	2,000 pcs (bulk)
01000056Z	100 056	Spring Brass	Tin-plated	Ear	2,000 pcs (bulk)
01000020Z	100 020	Phosphor Bronze	Tin-plated	Ear	1,000 pcs (bulk)
04450001H	445 001	Spring Brass	Tin-plated	Ear	100 pcs (bulk)
04450001N	445 001	Spring Brass	Tin-plated	Ear	5,000 pcs (bulk)
00300210M	030 210	Spring Brass	Nickel-plated	Ear	1,000 pcs (bulk)
00300210N	030 210	Spring Brass	Nickel-plated	Ear	5,000 pcs (bulk)
05200001N	520 001	Spring Brass	Silver-plated	Ear	1,000 pcs (bulk)

Additional Information



**Datasheet
100 Series**



**Resources
100 Series**



**Samples
100 Series**



**Datasheet
445 Series**



**Resources
445 Series**



**Samples
445 Series**



**Datasheet
030 Series**



**Resources
030 Series**



**Samples
030 Series**



**Datasheet
520 Series**



**Resources
520 Series**



**Samples
520 Series**

Disclaimer Notice - Information furnished is believed to be accurate and reliable. However, users should independently evaluate the suitability of and test each product selected for their own applications. Littelfuse products are not designed for, and may not be used in, all applications. Read complete Disclaimer Notice at: www.littelfuse.com/disclaimer-electronics.

单击下面可查看定价，库存，交付和生命周期等信息

[>>Littelfuse\(美国力特\)](#)