

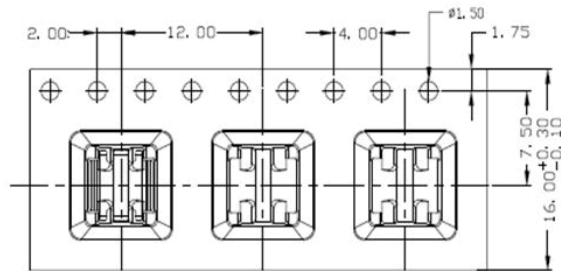
523 Series 5x20mm Fuse Clips for Automated Pick In Place (PIP)



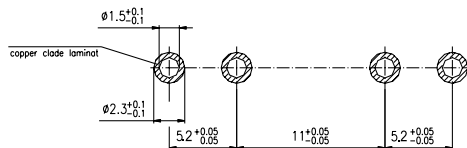
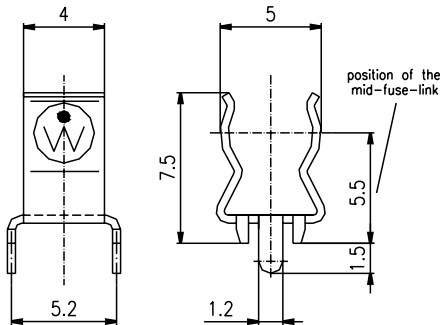
Product Characteristics (For 523 PIP Clip)

Materials	Copper alloy Solderable, tinned
Electrical Data (23°C)	Rated Voltage: 250V
	Max. Current/Power: 6.3A/2.5W
Mounting	PC Board, 5,2 mm pin spacing Solder pins 0.4x1.2 mm
Solderability	245°C maximum, 3 sec. maximum (IEC 60068-2-20)
Soldering Heat Resistance	260 °C, 10 s (IEC 60068-2-20)
Minimum Cross Section	Conducting path - 0.2mm ²
Unit Weight	0.4g

Product Dimensions



The tolerance for other dimensions is ±0.1mm.



Mounting Dimensions

Ordering Information

Ordering PN	Clip Material	Plating	Packaging Available
5230000S001	Phosphor Bronze	Tin-plated	Tape and reel 800 pcs

Additional Information



Datasheet



Resources



Samples

单击下面可查看定价，库存，交付和生命周期等信息

[>>Littelfuse\(美国力特\)](#)