

KRDB SERIES



Description

The KRDB Series is a compact time delay relay measuring only 2 in. (50.8 mm) square. Its microcontroller timing circuit provides excellent repeat accuracy and stability. Encapsulation protects against shock, vibration, and humidity. The KRDB Series is a cost effective approach for OEM applications that require small size, isolation, reliability, and long life.

Operation (Delay-on-Break)

Input voltage must be applied before and during timing. Upon closure of the initiate switch, the output relay energizes. The time delay begins when the initiate switch is opened. The output remains energized during timing. At the end of the time delay, the output de-energizes. The output will energize if the initiate switch is closed when input voltage is applied.

Reset: Reclosing the initiate switch during timing resets the time delay. Loss of input voltage resets the time delay and output.

Features & Benefits

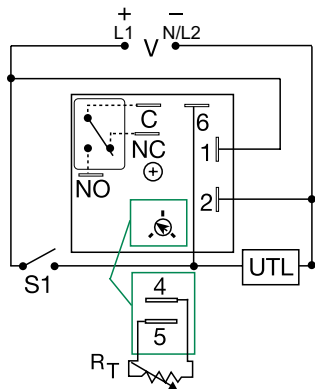
FEATURES	BENEFITS
Microcontroller based	Repeat accuracy +/- 0.5%, Factory calibration +/- 5%
Isolated, 10A, SPDT output contacts	Provides 100 million operations in typical conditions.
Totally solid state and encapsulated	No moving parts to arc and wear out over time and encapsulated to protect against shock, vibration, and humidity
Compact, low cost design measuring 2 in. (50.8mm) square	Allows flexibility for OEM applications

Accessories

P1004-95, P1004-95-X External Adjust Potentiometer
Panel mountable, industrial potentiometer recommended for remote time delay adjustment.

P1023-6 Mounting bracket
The 90° orientation of mounting slots makes installation/removal of modules quick and easy.

Wiring Diagram



V = Voltage
S1 = Initiate Switch
C = Common, Transfer Contact
NO = Normally Open
NC = Normally Closed
UTL = Untimed Load (optional)

A knob is supplied for adjustable units. The untimed load is optional. Relay contacts are isolated.

Ordering Information

MODEL	INPUT VOLTAGE	ADJUSTMENT	TIME DELAY	MODEL	INPUT VOLTAGE	ADJUSTMENT	TIME DELAY
KRDB1110S	12VDC	Fixed	10s	KRDB217S	24VAC/DC	Fixed	7s
KRDB112.5S	12VDC	Fixed	2.5s	KRDB222	24VAC/	Fixed	120s
KRDB1120M	12VDC	Fixed	20m	KRDB415S	120VAC	Fixed	5s
KRDB115M	12VDC	Fixed	5m	KRDB420	120VAC	Onboard	0.1 - 10s
KRDB1160M	12VDC	Fixed	60m	KRDB421	120VAC	Onboard	1 - 100s
KRDB120	12VDC	Onboard	0.1 - 10s	KRDB422	120VAC	Onboard	10 - 1000s
KRDB121	12VDC	Onboard	1 - 100s	KRDB424	120VAC	Onboard	1 - 100m
KRDB124	12VDC	Onboard	1 - 100m	KRDB425	120VAC	Onboard	10 - 1000m
KRDB125	12VDC	Onboard	10 - 1000m				

If you don't find the part you need, call us for a custom product 800-843-8848

KRDB SERIES

Accessories



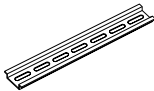
P0700-7 Versa-Knob
Designed for 0.25 in. (6.35 mm) shaft of Versa-Pot. Semi-gloss industrial black finish.



P1015-64 (AWG 14/16), P1015-13 (AWG 10/12) Female Quick Connect
These 0.25 in. (6.35 mm) female terminals are constructed with an insulator barrel to provide strain relief.



P1015-18 Quick Connect to Screw Adapter
Screw adapter terminal designed for use with all modules with 0.25 in. (6.35 mm) male quick connect terminals.

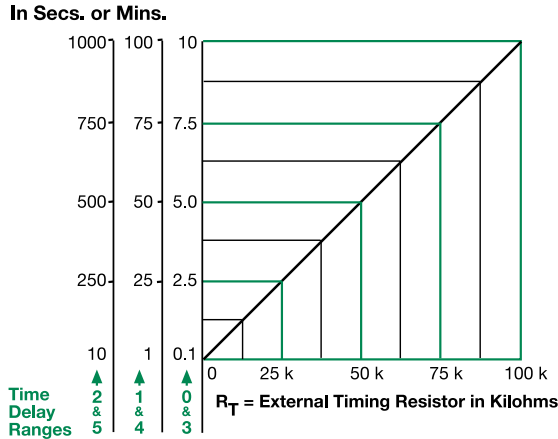


C103PM (AL) DIN Rail
35 mm aluminum DIN rail available in a 36 in. (91.4 cm) length.



P1023-20 DIN Rail Adapter
Allows module to be mounted on a 35 mm DIN type rail with one #10 screws.

External Resistance vs. Time Delay

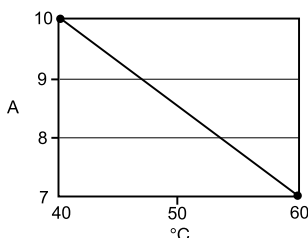


This chart applies to externally adjustable part numbers.
The time delay is adjustable over the time delay range selected by varying the resistance across the R_T terminals; as the resistance increases the tie delay increases.

When selecting an external R_T , add the tolerances of the timer and the R_T for the full time range adjustment.

Examples: 1 to 50 S adjustable time delay, select time delay range 1 and a 50 K ohm R_T . For 1 to 100 S use a 100 K ohm R_T .

Output Current/Ambient Temperature



Specifications

Time Delay

Type Microcontroller with watchdog circuitry
Range 0.1s - 1000ms in 6 adjustable ranges or fixed
Repeat Accuracy ±0.5% or 20ms, whichever is greater
Tolerance ≤ ±5%
(Factory Calibration) ≤ ±5%
Recycle Time ≤ 150ms
Initiate Time ≤ 40ms
Time Delay vs Temp. & Voltage ≤ ±5%

Input

Voltage 12, 24, 110VDC; 24, 120 or 230VAC
Tolerance -15% - 20%
12VDC & 24VDC/AC -20% - 10%
110VDC, 120 or 230VAC 50/60 Hz / ≤ 10%
AC Line Frequency/DC Ripple AC ≤ 2VA; DC ≤ 2W
Power Consumption

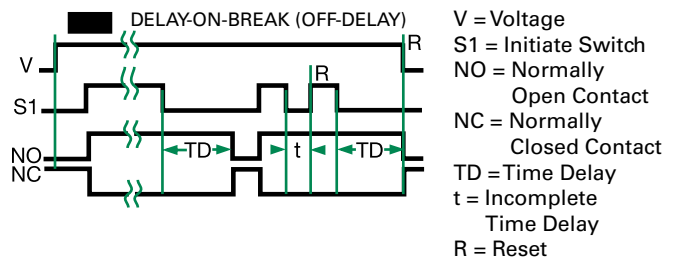
Output

Type Isolated relay contacts
Form SPDT
Rating (at 40°C) 10A resistive @ 125VAC; 5A resistive @ 230VAC & 28VDC; 1/4 hp @ 125VAC 250VAC
Max. Switching Voltage 250VAC
Life (Operations) Mechanical - 1 x 10⁷; Electrical - 1 x 10⁵
Protection
Circuitry Encapsulated
Isolation Voltage ≥ 1500V RMS input to output
Insulation Resistance ≥ 100 MΩ
Polarity DC units are reverse polarity protected
Mechanical
Mounting Surface mount with one #10 (M5 x 0.8) screw
Dimensions **H** 50.8 mm (2.0"); **W** 50.8 mm (2.0"); **D** 30.7 mm (1.21")
Termination 0.25 in. (6.35 mm) male quick connect terminals

Environmental

Operating/Storage -40° to 60°C / -40° to 85°C
Temperature
Humidity 95% relative, non-condensing
Weight ≈ 2.6 oz (74 g)

Function Diagram



单击下面可查看定价，库存，交付和生命周期等信息

[>>Littelfuse\(美国力特\)](#)