

LOW PROFILE JCASE® PANEL-MOUNT FUSE HOLDER

RoHS

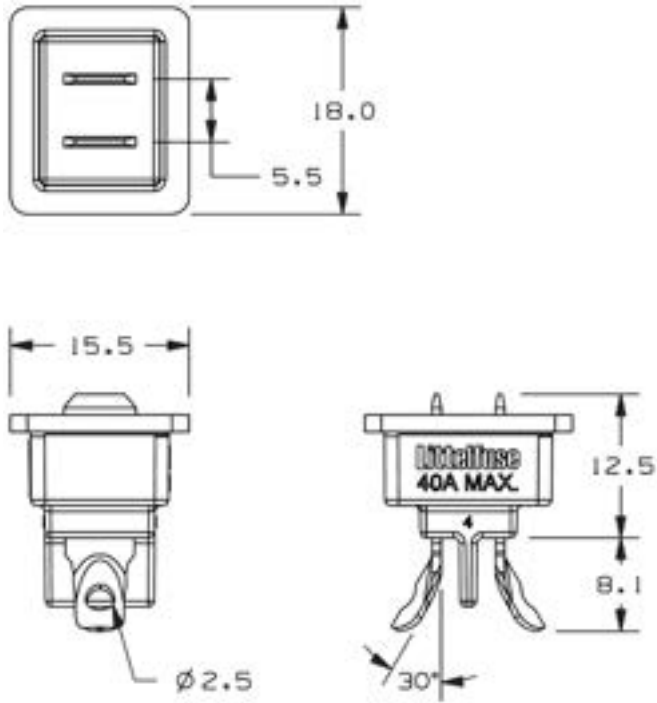


Description

Used with LP JCASE® fuses up to 40A. Holder will use 12 AWG / 3 mm² wire. Fuse not included.

Dimensions

Dimensions in mm



Ratings

Part Number	Description	Fuse Rating
0FHJ3003U	Low Profile JCASE® Holder with soldering tabs	40 A max

单击下面可查看定价，库存，交付和生命周期等信息

[>>Littelfuse\(美国力特\)](#)