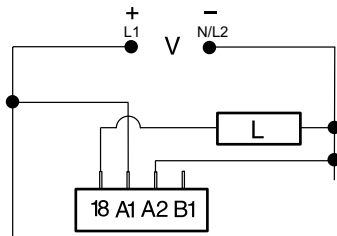


# DSQU / DSTU SERIES

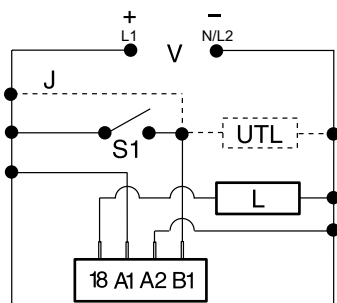


## Wiring & Adjustment Diagrams

### DELAY-ON-MAKE & RECYCLING



### SINGLE SHOT, INTERVAL & DELAY-ON-BREAK



V = Voltage  
L = Load  
J = Wire Required for Interval Operation  
S1 = Initiate Switch  
UTL = Optional Untimed Load

### ADJUSTMENTS

DOM	A <input type="checkbox"/>	B <input type="checkbox"/>
SS	A <input type="checkbox"/>	B <input type="checkbox"/>
R	A <input type="checkbox"/>	B <input type="checkbox"/>
DOB	A <input type="checkbox"/>	B <input type="checkbox"/>

DOM = Delay-on-Make  
SS = Single Shot/Interval  
R = Recycling  
DOB = Delay-on-Break

R	M	S	I
0.1-6.3s	X0.1s	C <input type="checkbox"/> E <input type="checkbox"/> D <input type="checkbox"/> F <input type="checkbox"/>	0.1s
1-63s	X1s	C <input type="checkbox"/> E <input type="checkbox"/> D <input type="checkbox"/> F <input type="checkbox"/>	1s
10-630s	X10s	C <input type="checkbox"/> E <input type="checkbox"/> D <input type="checkbox"/> F <input type="checkbox"/>	10s
1-63m	X1m	C <input type="checkbox"/> E <input type="checkbox"/> D <input type="checkbox"/> F <input type="checkbox"/>	1m

R = Range  
M = Multiplier  
S = Setting  
I = Increments of time



Add switches in ON position  
TD = 2+8+16=26

## Description

The DSQU and DSTU Series of 17.5 mm, switch adjustable, universal solid-state timers offer multiple functions, voltages, and time delay ranges. Choose one of 5 functions and 4 time delay ranges via 4 selection switches located on face of the unit. Six switches adjust the time delay through the selected range.

The DSQU Series has quick connect terminals and the DSTU Series has terminal blocks.

## Features & Benefits

FEATURES	BENEFITS
<b>Universal AC or DC voltage</b>	Choose from 24 to 240VAC or 9 to 110VDC models
<b>Compact 17.5mm size</b>	Allows for high rail density
<b>Microcontroller based</b>	Repeat Accuracy + / - 1%
<b>Multifunction: 5 timing functions</b>	Reduce stocking requirements
<b>Knob Adjustable Time Delay</b>	Field adjustable delay ranging from 0.1s - 100m
<b>0.7A steady, 10A inrush solid-state output</b>	Provides 100 million operations in typical conditions.
<b>Mounting fasteners included</b>	Each unit ships with both surface and DIN rail quick mount adapters
<b>Watchdog circuitry</b>	Self monitoring and self correcting for improved performance

## Accessories



**P1015-13** (AWG 10/12), **P1015-64** (AWG 14/16), **P1015-14** (AWG 18/22) **Female Quick Connect**  
These 0.25 in. (6.35 mm) female terminals are constructed with an insulator barrel to provide strain relief.



**P0500-178 Surface Mount Adapter**  
**P0500-179 DIN Rail Mount Adapter**  
For use with the ASxx/DSxx Series timers.

## Ordering Information

MODEL	INPUT VOLTAGE	CONNECTION
DSQUA3	24 - 240VAC	Quick Connects
DSQUD3	9 - 110VDC	Quick Connects
DSTUA3	24 - 240VAC	Terminal Blocks
DSTUD3	9 - 110VDC	Terminal Blocks

If you don't find the part you need, call us for a custom product 800-843-8848

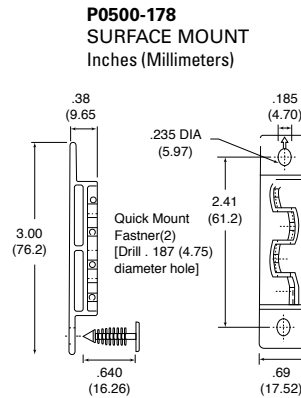
# DSQU / DSTU SERIES

## Specifications

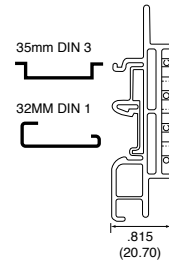
<b>Time Delay Type</b>	Microcontroller based with ceramic resonator and watchdog circuitry
<b>Adjustment</b>	6 switches adjust the time delay; 2 switches select 1 of 4 multipliers
<b>Range*</b>	x0.1s = 0.1 - 6.3s in 0.1s increments x1s = 1 - 63s in 1s increments x10s = 10 - 630s in 10s increments x1m = 1 - 63m in 1m increments
<b>Repeat Accuracy</b>	±0.1% or ±20ms, whichever is greater
<b>Setting Accuracy</b>	±2% or ±50ms, whichever is greater
<b>Reset Time</b>	≤ 300ms
<b>Initiate Time</b>	Single Shot & Delay-on-Break: ≤ 32ms
<b>Time Delay vs Temp. &amp; Voltage</b>	±2% or ±50ms, whichever is greater
<b>Input Voltage</b>	AC: 24 to 240VAC; -20% - 10% DC: 9 to 110VDC; -0% - 20% @ -25°C 9.4 to 110VDC; -0% - 20% @ -40°C
<b>AC Line Frequency/DC Ripple</b>	50/60Hz / ≤ 10%
<b>Output Type</b>	Solid state
<b>Form</b>	NO
<b>Rating</b>	0.7A steady state, 10A inrush
<b>Voltage Drop</b>	AC ≅ 2.5V @ 0.7A; DC ≅ 1.5V @ 0.7A
<b>Protection</b>	IEEE C62.41-1991 Level A
<b>Surge</b>	Encapsulated
<b>Circuitry</b>	≥ 2000V RMS terminals to mounting surface
<b>Dielectric Breakdown</b>	DC units are reverse polarity protected
<b>Polarity</b>	
<b>Mechanical</b>	
<b>Mounting</b>	Two base adaptors are available
<b>DIN Rail</b>	Snap on to 32 mm DIN 1 & 35 mm DIN 3 rail
<b>Surface</b>	Two #6 (M3.5 x 0.6) screws or quick mount fasteners
<b>Dimensions</b>	<b>H</b> 76.2 mm (3.0"); <b>W</b> 17.52 mm (0.69"); <b>D</b> 61.2 mm (2.41")
<b>Termination</b>	
<b>DSQU</b>	0.25 in. (6.35 mm) male quick connect terminals
<b>DSTU</b>	0.197 in. (5 mm) push-on terminal blocks for up to #14 AWG (2.5 mm <sup>2</sup> ) wire
<b>Environmental</b>	
<b>Operating/Storage Temperature</b>	-40° to 60°C / -40° to 85°C
<b>Humidity</b>	95% relative, non-condensing
<b>Weight</b>	≅ 4.2 oz (119 g)

\*For CE approved applications, power must be removed from the unit when a switch position is changed.

## Mounting Diagrams



**P0500-179**  
DIN RAIL MOUNT  
Inches (Millimeters)



单击下面可查看定价，库存，交付和生命周期等信息

[>>Littelfuse\(美国力特\)](#)